

Solutions for furniture and doors

Catalogue 2026



■ Furniture solutions

Content

Doorknobs / furniture knobs

HEUSSER digital Olives	08 - 13
Cylinder, blank, furniture knobs	14 - 33
Window cylinder handle, window blind handle	34 - 36
Rod lock	37
Doorknob rosettes	38 - 40
Drilling jig, bit screwdriver	41

Espagnolette locks

TERZA 3016 / 3017	42 - 48
Standard / combo designs	49
3101 espagnolette lock	50
3110T fire safety lock	51 - 43
B3110T set of fittings for riser duct and electrical fronts	44 - 55
3120 espagnolette lock for Euro profile half cylinder	56 - 57

Furniture locks / accessories

Screw-on locks, deadlock	58 - 62
Mortice locks	63
Bar lock	64
Furniture lock accessories	65 - 66
Shutter lock	67
Closing handle for furniture shutters	68 - 69

■ Door solutions

Content

Inset Locks

HEUSSER-Inset Locks new generation	70 - 76
Active - fixed leaf	77

Inset Locks

HEUSSER-Inset Locks overview	78 - 79
HEUSSER-Inset Locks series 9	80 - 85
HEUSSER-Inset Locks series 6	86 - 91
HEUSSER-Inset Locks series 3	92 - 95
HEUSSER-Inset Locks series 1	96 - 100
Handle	101 - 105

Inset Locks U-handle

HEUSSER-Inset Locks U-handle overview	106 - 107
HEUSSER-Inset Locks series 9	108 - 110
HEUSSER-Inset Locks series 6	111 - 113
HEUSSER-Inset Locks series 3	114 - 115
HEUSSER-Inset Locks series 1	116
U-handle	117

Door hinge safety catches / strike plates

Drop latches	118
Hinge safety catches	119 - 120
Deadlock	121

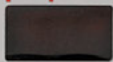
ELATO-3-bracket / spacer plates

ELATO-3-bracket	122
Spacer plates	123 - 124

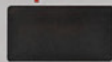
■ Furniture solutions

Content

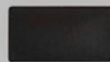
papier



pet



alu



■ HEUSSER-Olives Locks mounting options Standard and kombi system

Two versions are available for the secure mounting of HEUSSER olives.



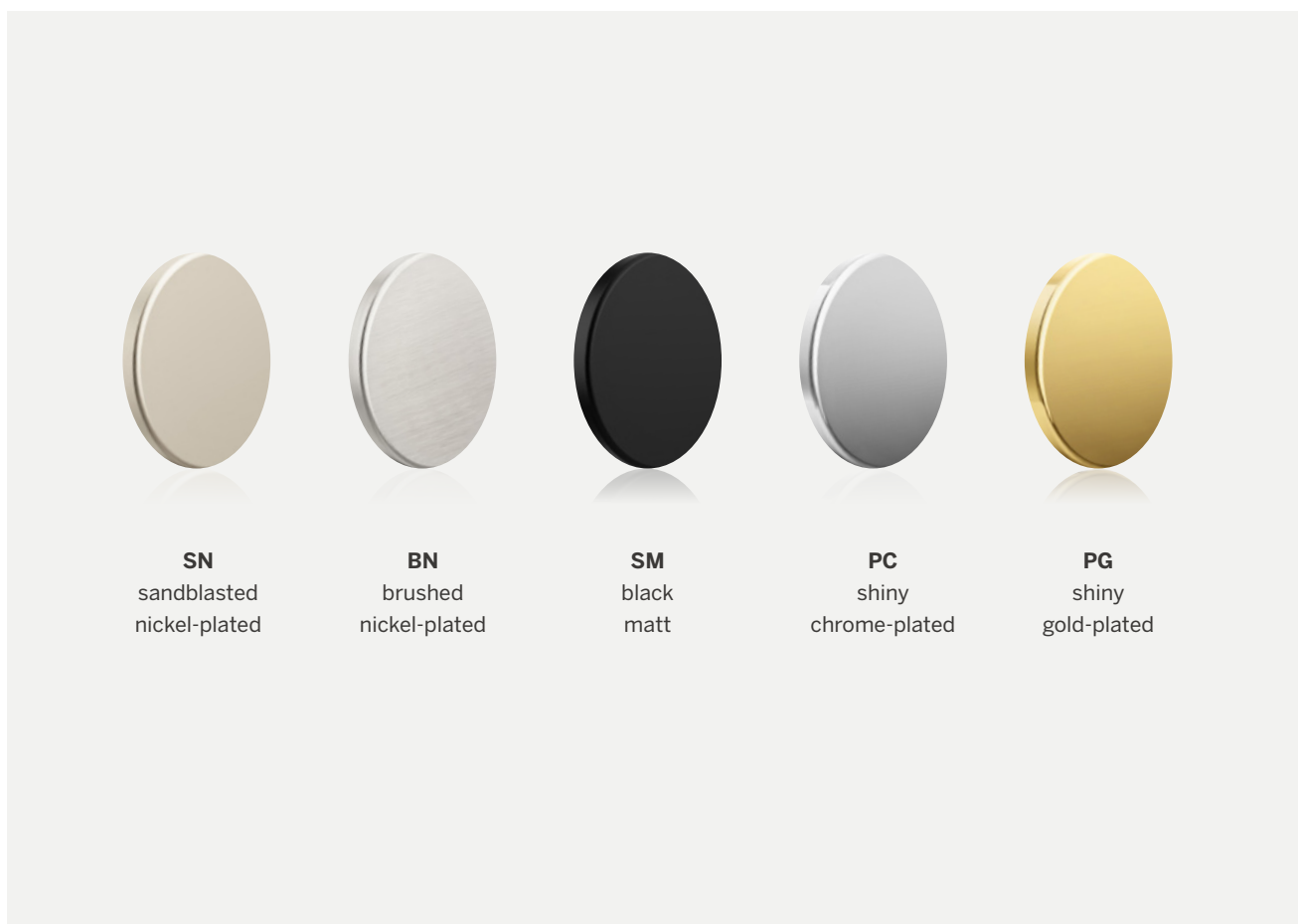
The kombi-mounting offers the following advantages:

- simplified installation through centering and alignment of the lock on the fitting
- wasy replacement of handles, keys, cylinders, or digital levers
- uniform 30mm diameter hole in the wood for all locking and latch variants

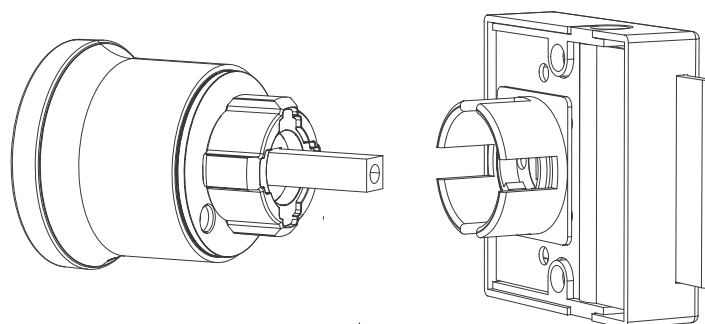
■ Variety in material finish

Seamless integration into the surroundings

- high-quality surface finishing for a flawless appearance and exceptional durability.
- HEUSSER-Olives are available in various finishes.



■ HEUSSER/BURG-Olives digital



For new projects we recommend using the TERZA-Kombi version (see page 49).

Flexo.Cloud

Digital Olives

Flexo.Cloud is an innovative locking system solution with powerful cloud functionality. It enables convenient operation via card or app (iOS/Android). A particularly practical feature: the app also functions as a gateway, eliminating the need for additional hardware.

The Olive can be seamlessly integrated into existing HEUSSER systems, thereby supporting a sustainable transition into the digital world.

Features

- **Multuser Mode** – Multiple users can operate Olives via card or smartphone; locking data is deleted upon opening; one card can be used for multiple Olives simultaneously.
- **Private-Mode Light** - Olive permanently assigned to a single user; operation only via personalized card; one card can be used for any number of Olives.
- **Private-Mode (App)** - Olives personalized in the app; operation via app or registered card; no access for others; prerequisite for shared private mode.
- **Shared Private Mode (App)** - Olive in private mode can be shared with others; ownership remains with the primary user; access rights can be granted and revoked via the app.
- battery replacement without removing the Olive
- simple assignment of usage rights via the app
- logging of locking events in the cloud
- RFID-Standards: MIFARE® Classic, MIFARE® DESFire® EV, LEGIC®, ...
- ability to operate via Bluetooth® and RFID cards

Standard version

Material	Plastic
Surface	Black
Direction	For right and left hinged doors
Square pin	7/7/35 mm (for HD 19 mm)
Rosette	3087 with reduction 3087R3084 for TERZA with Kombi-sleeve

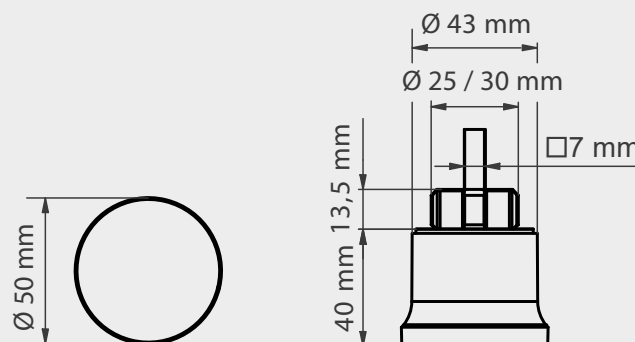
More options

Square pin	7/7/ special length
Rosette	R473-40B standard
Rod lock	For rod lock 3465 (see page 37)

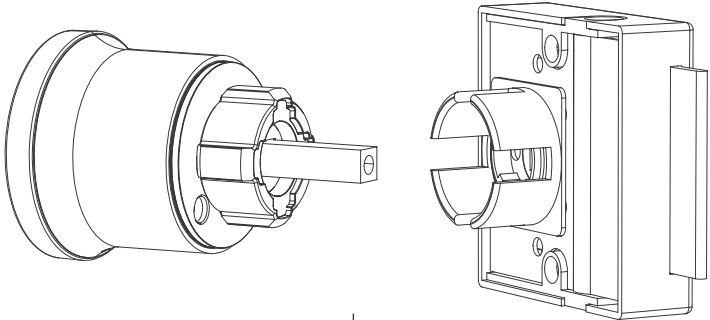
Scope of delivery

1 x Olive Flexo.Cloud
1 x Rosette

The required batteries are not included in the scope of delivery. We recommend using original VARTA 1/2 AA H-R batteries, as only these ensure proper operation from our side.



■ HEUSSER/BURG-Olives digital



For new projects we recommend using the TERZA-Kombi version (see page 49).

Flexo.RFID

Digital Olives

Flexo.RFID is designed for common RFID standards and therefore offers maximum compatibility and future-proofing. Thanks to three individually configurable authorization levels, the system enables particularly flexible and user-friendly management of access rights—ideal for a wide range of everyday requirements.

The Olive can be seamlessly integrated into existing HEUSSER systems, thereby supporting a sustainable transition into the digital world.

Features

- **Multiuser-Mode** with occupancy identification
- **Private-Mode** with and without automatic locking
- battery replacement without removing the Olive
- RFID Standard: MIFARE® Classic 1K/ MIFARE® DESFire EV
- integrated occupancy detection for MIFARE® Classic 1K
- up to 10 user cards can be registered in private mode
- long battery life (up to 25,000 locking cycles)

Standard version

Material	Plastic
Surface	Black
Direction	For right and left hinged doors
Square pin	7/7/35 mm (for HD 19 mm)
Rosette	3087 with reduction 3087R3084 for TERZA with Kombi-sleeve

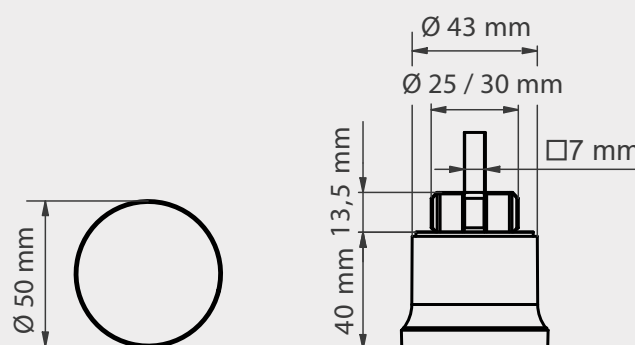
More options

Square pin	7/7/ special length
Rosette	R473-40B standard
Rod lock	For rod lock 3465 (see page 37)

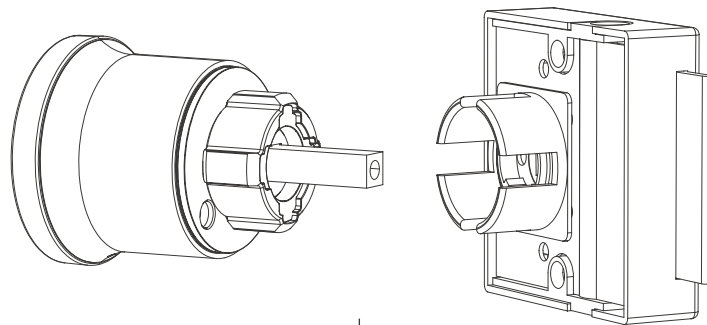
Scope of delivery

- 1x Olive Flexo.RFID
- 1x Rosette

The required batteries are not included in the scope of delivery. We recommend using original VARTA 1/2 AA H-R batteries, as only these ensure proper operation from our side.



■ HEUSSER/BURG-Olives digital



For new projects we recommend using the TERZA-Kombi version (see page 49).

Flexo.Code

Digital Olives

Flexo.Code impresses with intuitive operation and an ergonomic rotary knob. The Olive enables the secure storage of personal belongings, such as in offices, schools, as well as sports and wellness facilities.

The Olive can be seamlessly integrated into existing HEUSSER systems, thereby supporting a sustainable transition into the digital world.

Features

- up to 6-digit codes are available
- battery replacement without removing the Olive
- easy retrofit capability, e.g. for replacing mechanical Olives
- high-quality keypad with tactile feedback
- long battery life (up to 30,000 locking cycles)

Standard version

Material	Plastic
Surface	Black
Direction	For right and left hinged doors
Square pin	7/7/35 mm (for HD 19 mm)
Rosette	3087 with reduction 3087R3084 for TERZA with Kombi-sleeve

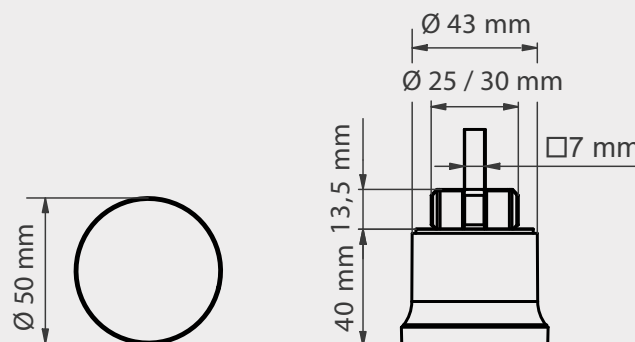
More options

Square pin	7/7/ special length
Rosette	R473-40B standard
Rod lock	For rod lock 3465 (see page 37)

Scope of delivery

1 x Olive Flexo.Code
1 x Rosette

The required batteries are not included in the scope of delivery. We recommend using original VARTA 1/2 AA H-R batteries, as only these ensure proper operation from our side.



 HEUSSER-Olives



BN
brushed nickel-plated



SN
sandblasted nickel-plated

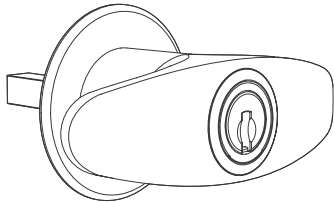


SM
black matt

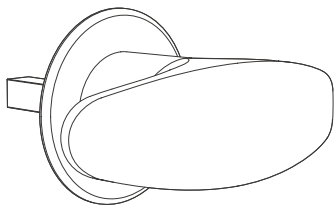


PC
shiny chrome-plated

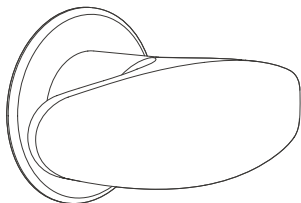
■ **3401** | **3402** | **3402.1**
 Cylinder | Blank knob | Furniture knob



3401 Cylinder knob



3402 Blank knob



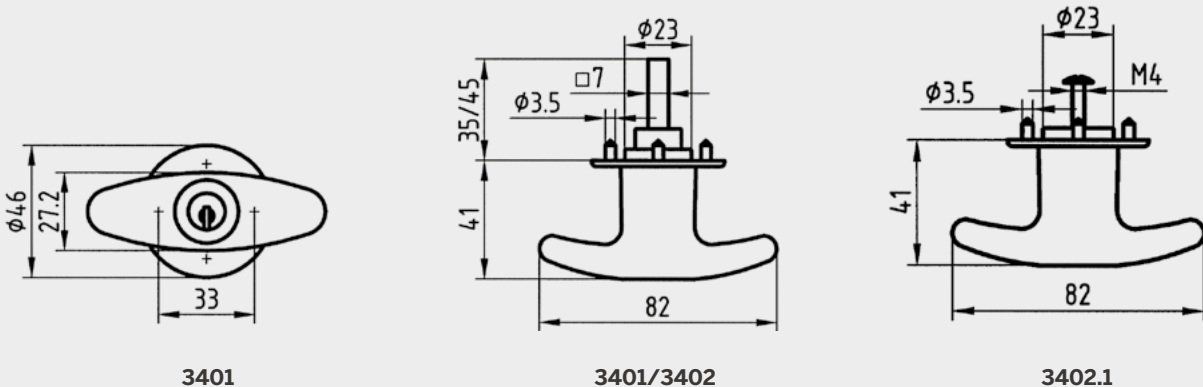
3402.1 Furniture knob

Standard version

Material	Zinc
Surface	Sandblasted, nickel-plated (SN) Brushed, nickel-plated (BN) Black matt (SM) Shiny, chrome-plated (PC)
Closure	Unique locking
Direction	For right hinged doors
Square pin	7/7/35 mm
Rosette	Standard R473/46 (see fig.) or for TERZA with combo casing

More options

Surface	Shiny, gold-plated (PG)
Closure	Simultaneous locking Based on master key Integrated into lock system Key cannot be removed while unlocked
Direction	For left hinged doors
Square pin	7/7/45 mm 7/7/special length



■ HEUSSER-Olives



PC
shiny chrome-plated



SN
sandblasted nickel-plated

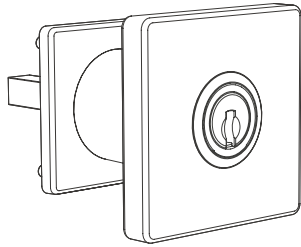


SM
black matt

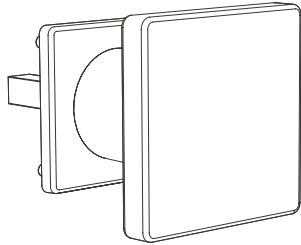


BN
brushed nickel-plated

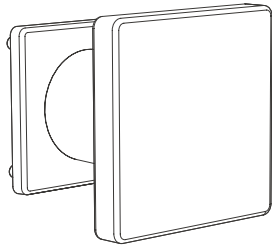
■ **3403** | **3404** | **3404.1**
 Cylinder | Blank knob | Furniture knob



3403 Cylinder knob



3404 Blank knob



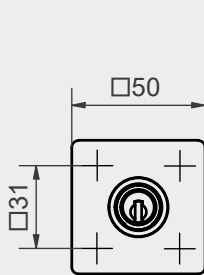
3404.1 Furniture knob

Standard version

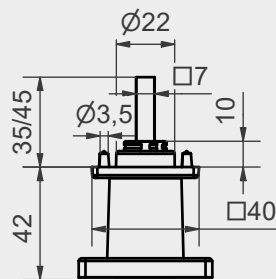
Material	Zinc
Surface	Sandblasted, nickel-plated (SN) Brushed, nickel-plated (BN) Black matt (SM) Shiny, chrome-plated (PC)
Closure	Unique locking
Direction	For right hinged doors
Square pin	7/7/35 mm
Rosette	Standard R3403/04 (see fig) or for TERZA with Combo casing

More options

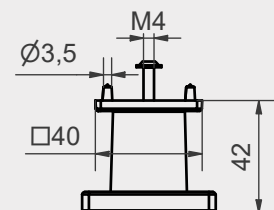
Surface	Shiny, gold-plated (PG)
Closure	Simultaneous locking Based on master key Integrated into lock system Key cannot be removed while unlocked
Direction	For left hinged doors
Square pin	7/7/45 mm 7/7/special length



3403



3403/3404



3404.1

 HEUSSER-Olives



SM
black matt



SN
sandblasted nickel-plated

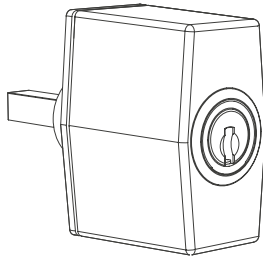


BN
brushed nickel-plated

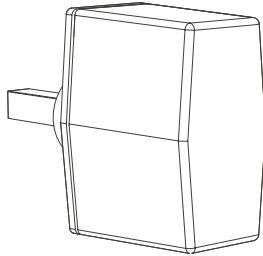


PC
shiny chrome-plated

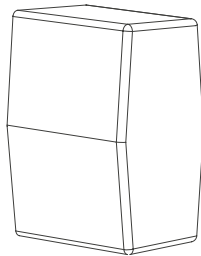
■ **3405** | **3406** | **3406.1**
 Cylinder | Blank knob | Furniture knob



3405 Cylinder knob



3406 Blank knob



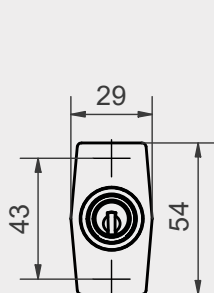
3406.1 Furniture knob

Standard version

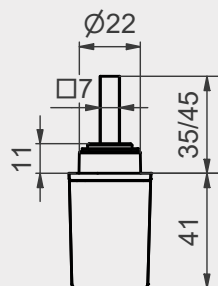
Material	Zinc
Surface	Sandblasted, nickel-plated (SN) Brushed, nickel-plated (BN) Black matt (SM) Shiny, chrome-plated (PC)
Closure	Unique locking
Direction	For right hinged doors
Square pin	7/7/35 mm
Rosette	Standard R3405/06 (see fig) or for TERZA with Combo casing

More options

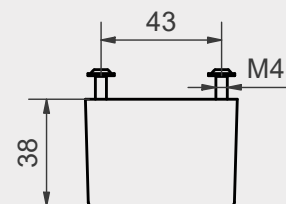
Surface	Shiny, gold-plated (PG)
Closure	Simultaneous locking Based on master key Integrated into lock system Key cannot be removed while unlocked
Direction	For left hinged doors
Square pin	7/7/45 mm 7/7/special length



3405



3405/3406



3406.1

■ HEUSSER-Olives



BN
brushed nickel-plated



SN
sandblasted nickel-plated



SM
black matt

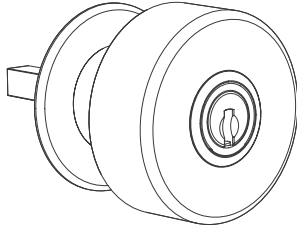


PC
shiny chrome-plated

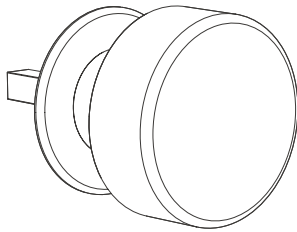
3411
Cylinder

3412
Blank knob

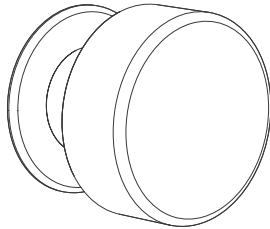
3412.1
Furniture knob



3411 Cylinder knob



3412 Blank knob



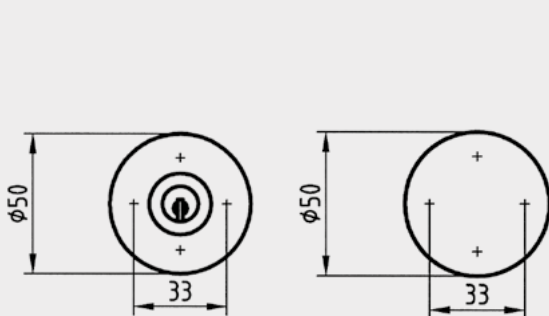
3412.1 Furniture knob

Standard version

Material	Zinc
Surface	Sandblasted, nickel-plated (SN) Brushed, nickel-plated (BN) Black matt (SM) Shiny, chrome-plated (PC)
Closure	Unique locking
Direction	For right hinged doors
Square pin	7/7/35 mm
Rosette	Standard R473/46 (see fig.) or for TERZA with combo casing

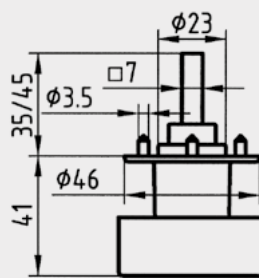
More options

Surface	Shiny, gold-plated (PG)
Closure	Simultaneous locking Based on master key Integrated into lock system Key cannot be removed while unlocked
Direction	For left hinged doors
Square pin	7/7/45 mm 7/7/special length

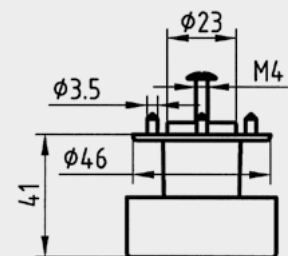


3411

3412/3412.1



3411/3412



3412.1

■ HEUSSER-Olives



SM
black matt



SN
sandblasted nickel-plated



BN
brushed nickel-plated



PC
shiny chrome-plated

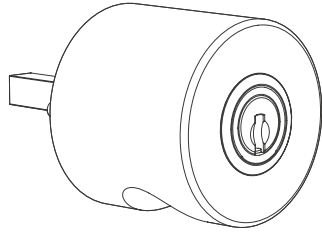


PG
shiny gold-plated

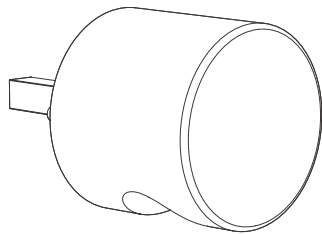
3413
Cylinder

3414
Blank knob

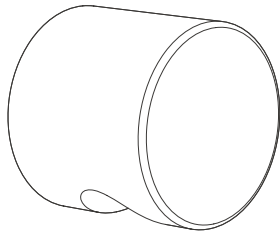
3414.1
Furniture knob



3413 Cylinder knob



3414 Blank knob



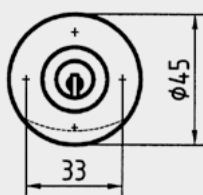
3414.1 Furniture knob

Standard version

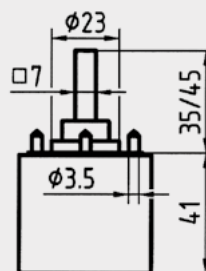
Material	Zinc
Surface	Sandblasted, nickel-plated (SN) Brushed, nickel-plated (BN) Black matt (SM) Shiny, chrome-plated (PC) Shiny, gold-plated (PG)
Closure	Unique locking
Direction	For right hinged doors
Square pin	7/7/35 mm
Rosette	Standard R473/40 (see fig.) or for TERZA with combo casing

More options

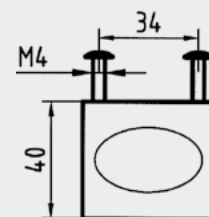
Closure	Simultaneous locking Based on master key Integrated into lock system Key cannot be removed while unlocked
Direction	For left hinged doors
Square pin	7/7/45 mm 7/7/special length



3413



3413/3414



3414.1

■ HEUSSER-Olives



PC
shiny chrome-plated



SN
sandblasted nickel-plated



BN
brushed nickel-plated

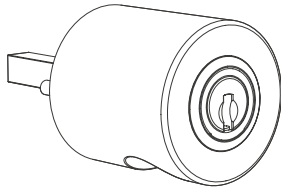


SM
black matt

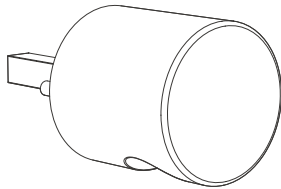


PG
shiny gold-plated

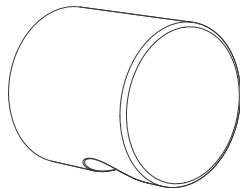
■ **3413.2** | **3414.2** | **3414.3**
 Cylinder | Blank knob | Furniture knob



3413.2 Cylinder knob



3414.2 Blank knob



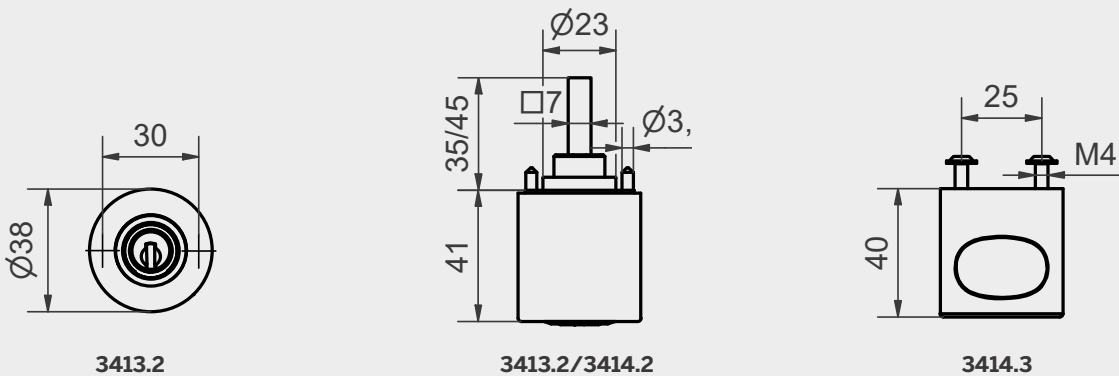
3414.3 Furniture knob

Standard version

Material	Zinc
Surface	Sandblasted, nickel-plated (SN) Brushed, nickel-plated (BN) Black matt (SM) Shiny, chrome-plated (PC) Shiny, gold-plated (PG)
Closure	Unique locking
Direction	For right hinged doors
Square pin	7/7/35 mm
Rosette	Standard R1306 (see fig.) or for TERZA with combo casing

More options

Closure	Simultaneous locking Based on master key Integrated into lock system Key cannot be removed while unlocked
Direction	For left hinged doors
Square pin	7/7/45 mm 7/7/special length



■ **3421S** | **3422S** | **3422.1S**
 Cylinder | Blank knob | Furniture knob



3421S Cylinder knob



3422S Blank knob



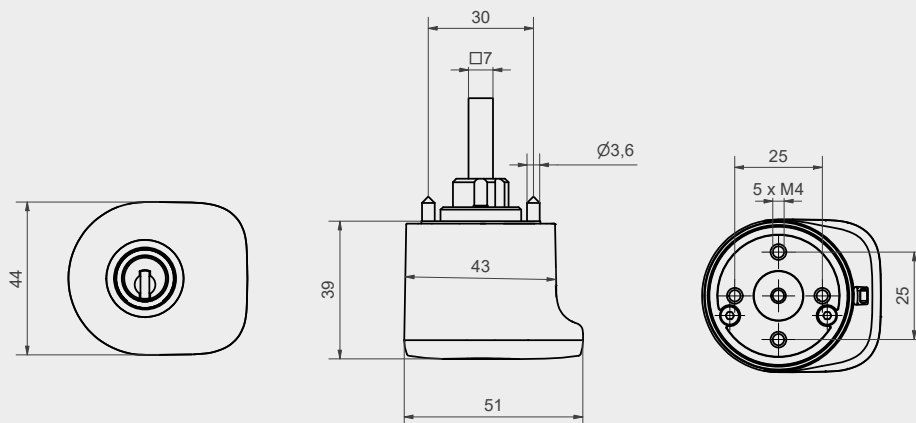
3422.1S Furniture knob

Standard version

Material	Zinc, plastic
Surface	Cover black in combination with: Sandblasted, nickel-plated (SN) Brushed, nickel-plated (BN) Shiny, chrome-plated (PC)
Closure	Unique locking
Direction	For right hinged doors
Square pin	7/7/35 mm
Rosette	Standard R1306 (see fig.) or for TERZA with combo casing

More options

Closure	Simultaneous locking Based on master key Integrated into lock system Key cannot be removed while unlocked
Direction	For left hinged doors
Square pin	7/7/45 mm 7/7/special length



3421

3421 / 3422

3422.1

3421W
Cylinder

3422W
Blank knob

3422.1W
Furniture knob



3421W Cylinder knob



3422W Blank knob



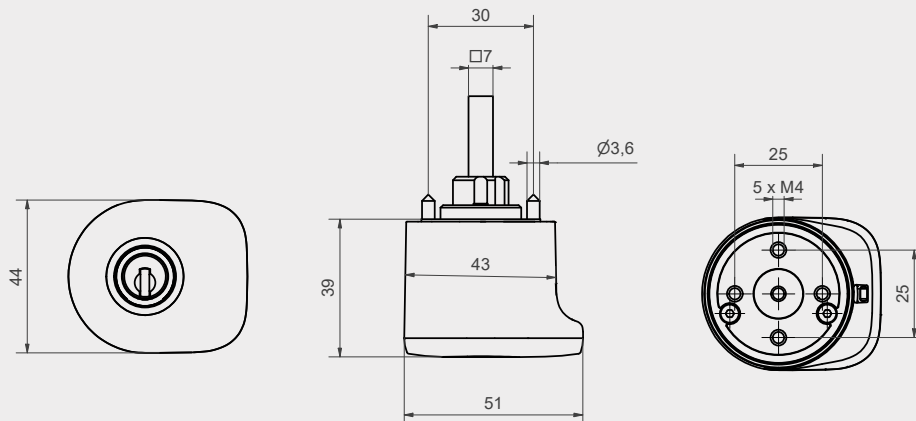
3422.1W Furniture knob

Standard version

Material	Zinc, plastic
Surface	Cover white in combination with: Sandblasted, nickel-plated (SN) Brushed, nickel-plated (BN) Shiny, chrome-plated (PC)
Closure	Unique locking
Direction	For right hinged doors
Square pin	7/7/35 mm
Rosette	Standard R1306 (see fig.) or for TERZA with combo casing

More options

Closure	Simultaneous locking Based on master key Integrated into lock system Key cannot be removed while unlocked
Direction	For left hinged doors
Square pin	7/7/45 mm 7/7/special length



3421

3421 / 3422

3422.1

■ 3417
Cylinder

3418
Blank knob

3418.1
Furniture knob

3418.5
Furniture knob



3417 Cylinder knob



3418 Blank knob



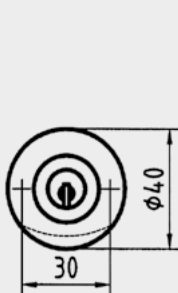
3418.1 / 3418.5 Furniture knob

Standard version

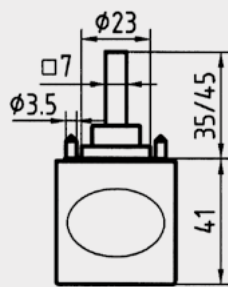
Material	Plastic
Colour	Black glossy (SG) (RAL 9005), Shite glossy (WG) (RAL 9010)
Closure	Unique locking
Direction	For right hinged doors
Square pin	7/7/35 mm
Rosette	Standard R1306 (see fig.) or for TERZA with combo casing

More options

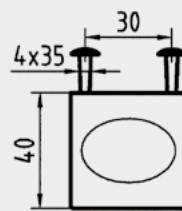
Closure	Simultaneous locking Based on master key Integrated into lock system Key cannot be removed while unlocked
Direction	For left hinged doors
Square pin	7/7/45 mm 7/7/special length



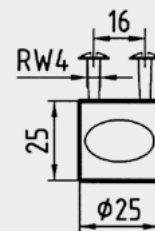
3417



3417/3418



3418.1

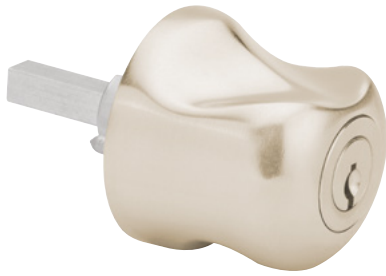


3418.5

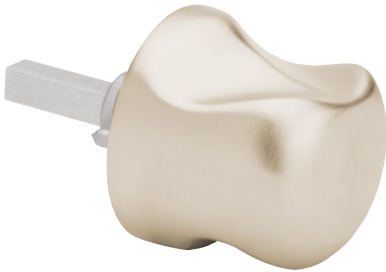
3481
Cylinder

3482
Blank knob

3482.1
Furniture knob



3481 Cylinder knob



3482 Blank knob



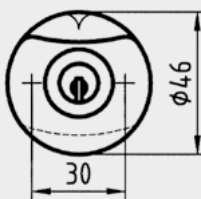
3482.1 Furniture knob

Standard version

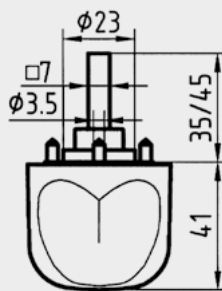
Material	Zinc
Surface	Sandblasted, nickel-plated (SN) Brushed, nickel-plated (BN) Shiny, chrome-plated (PC)
Closure	Unique locking
Direction	For right hinged doors
Square pin	7/7/35 mm
Rosette	Standard R1306 (see fig.) or for TERZA with combo casing

More options

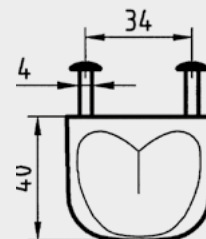
Surface	Shiny, gold-plated (PG)
Closure	Simultaneous locking Based on master key Integrated into lock system Key cannot be removed while unlocked
Direction	For left hinged doors
Square pin	7/7/45 mm 7/7/special length



3481



3481/3482



3482.1

■ **3483** | **3484** | **3484.1** | **3484.5**
 Cylinder | Blank knob | Furniture knob | Furniture knob



3483 Cylinder knob *



3484 Blank knob*



3484.1 / 3484.5 Furniture knob*

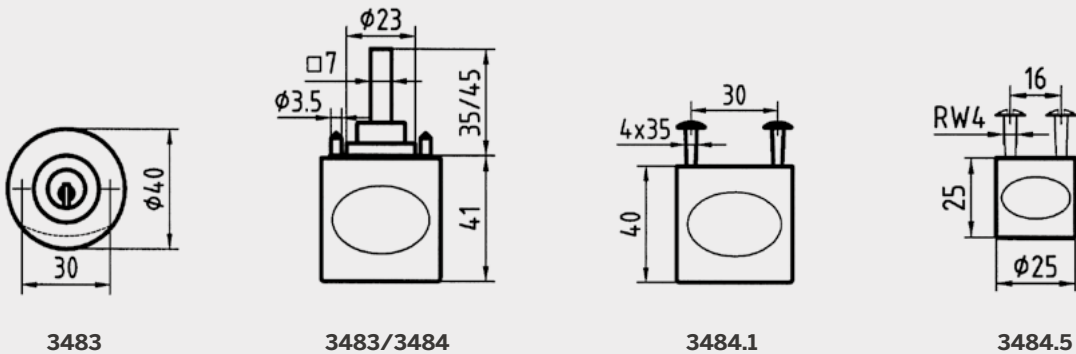
Standard version

Material	Solid wood
Surface	Untreated
Woods	Pine Cherrywood Oak Beechwood Ash Walnut Maple
Closure	Unique locking
Direction	For right hinged doors
Square pin	7/7/35 mm
Rosette	Standard R1306 (see fig.) or for TERZA with combo casing

More options

Closure	Simultaneous locking Based on master key Integrated into lock system Key cannot be removed while unlocked
Direction	For left hinged doors
Square pin	7/7/45 mm 7/7/special length

* Fig. Natural oiled walnut



■ **3489** | **3490** | **3490.1**
 Cylinder | Blank knob | Furniture knob



3489 Cylinder knob



3490 Blank knob



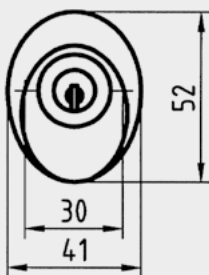
3490.1 Furniture knob

Standard version

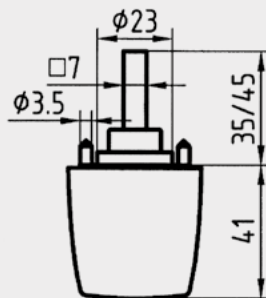
Material	Zinc
Surface	Sandblasted, nickel-plated (SN) Brushed, nickel-plated (BN) Black matt (SM) Shiny, chrome-plated (PC)
Closure	Unique locking
Direction	For right hinged doors
Square pin	7/7/35 mm
Rosette	Standard R1306 (see fig.) or for TERZA with combo casing

More options

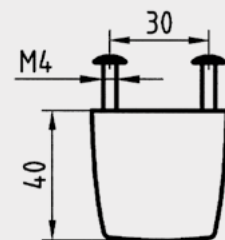
Surface	Shiny, gold-plated (PG)
Closure	Simultaneous locking Based on master key Integrated into lock system Key cannot be removed while unlocked
Direction	For left hinged doors
Square pin	7/7/45 mm 7/7/special length



3489



3489/3490



3490.1

3491 Cylinder

3492 Blank knob

3492.1 Furniture knob



3491 Cylinder knob



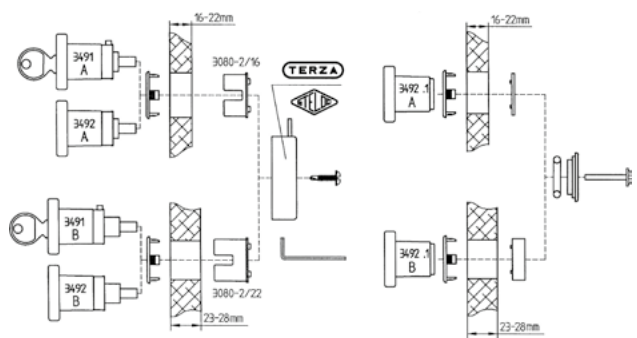
3492 / 3492.1 Blank knob

Standard version

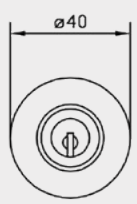
Material	Plastic
Surface	Velor, nickel-plated (VN)
Closure	Unique locking
Direction	For right hinged doors
Thickness of wood	Type A = 16-22 mm Type B = 23-28 mm
Rosette	R3491 for TERZA with 30 mm Combo casing 3080-2 and 3080-2/22

More options

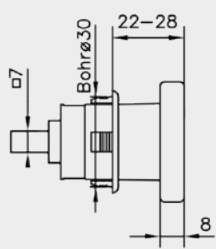
Surface	Shiny, chrome-plated (PC) Shiny, gold-plated (PG)
Closure	Simultaneous locking Based on master key Integrated into lock system Key cannot be removed while unlocked
Direction	for left hinged doors



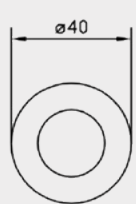
Assembly instructions



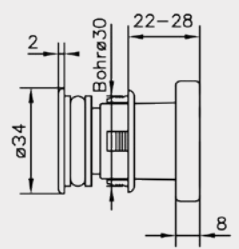
3491



3491/3492



3492/3492.1



3492.1

3493
Cylinder

3494
Blank knob

3494.1
Furniture knob



3493 Cylinder knob



3494 Blank knob



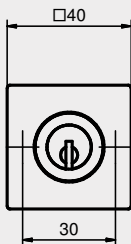
3494.1 Furniture knob

Standard version

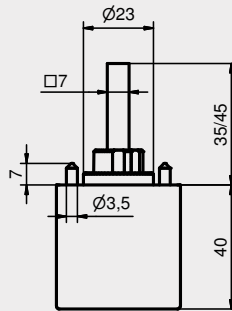
Material	Stainless steel
Surface	Brushed (IB)
Closure	Unique locking
Direction	For right hinged doors
Square pin	7/7/35 mm
Rosette	Standard R1306 (see fig.) or for TERZA with combo casing

More options

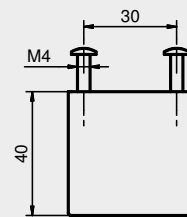
Surface	Polished (IP)
Closure	Simultaneous locking Based on master key Integrated into lock system Key cannot be removed while unlocked
Direction	For left hinged doors
Square pin	7/7/45 mm 7/7/special length



3493



3493/3494



3494.1

■ HEUSSER Window Knob



SM
black matt



SN
sandblasted nickel-plated



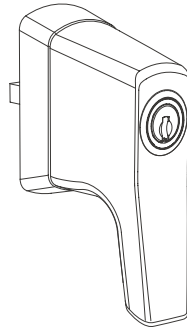
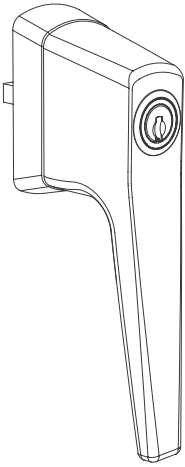
BN
brushed nickel-plated



PC
shiny chrome-plated

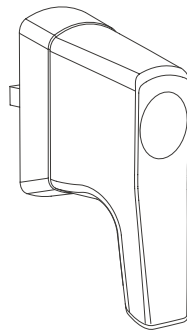
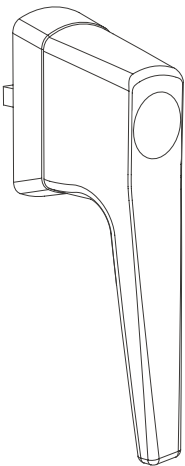
3463 / 3463K
Window cylinder knob

3464 / 3464K
Window blank knob



3463 Cylinder knob

3463K Cylinder knob



3464 Blind knob

3464K Blind knob

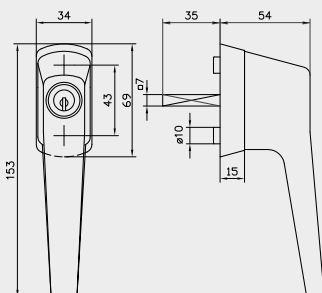
Standard version

Material	Zinc
Surface	Sandblasted, nickel-plated (SN) Brushed, nickel-plated (BN) Black matt (SM) Shiny, chrome-plated (PC)
Closure	Unique locking
Direction	For right hinged doors
Square pin	7/7/35 mm
Rosette	R3463/64 (see. figure)

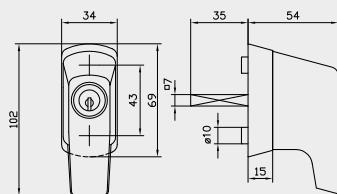
More options

Surface	Shiny, gold-plated (PG)
Closure	Simultaneous locking Based on master key Integrated into lock system Key cannot be removed while unlocked
Direction	For left hinged doors
Square pin	7/7/45 mm 7/7/special length
Designs	Short version (K) self-closing

**For RC 1-6 resistance classes
in accordance with EN1627**

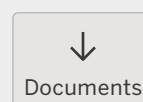


3463/3464



3463K/3464K

Download



3463 / 3463K

More options

Standard

The standard window handle can be locked from 6 o'clock to 12 o'clock and moved freely between these positions.



6 o'clock	lockable
6 - 12 o'clock	turnable
12 o'clock	lockable

MEVO

The MEVO design can be locked between 6 o'clock and 12 o'clock. With the turn of a key, the window handle can be turned either from 6 o'clock to 3 o'clock or from 3 o'clock to 12 o'clock. The shift between these two functions takes place at 3 o'clock.



6 o'clock	lockable
6 - 3 o'clock	turnable
3 - 12 o'clock	turnable
12 o'clock	lockable

Winter time

Winter time means the window handle can be turned either from 6 o'clock to 3 o'clock or from 6 o'clock to 12 o'clock. It can also be locked at 12 o'clock



6 o'clock	lockable
6 - 12 o'clock	turnable
12 o'clock	lockable

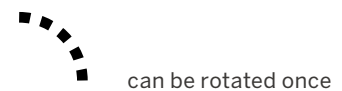
Tilt first

Tilt first means that the window handle can be freely moved between 6 o'clock and 3 o'clock. In the 3 o'clock position, the window handle can be released with one turn of the key for a turn towards 12 o'clock, and the key can then be removed. After the handle has been returned to 3 o'clock, turning from 3 to 12 o'clock is impossible once again.



6 - 3 o'clock	turnable
6 - 12 o'clock	turnable
Can be turned to 12 o'clock and back once	

All functions are the opposite way round for left-hinged windows!



3465

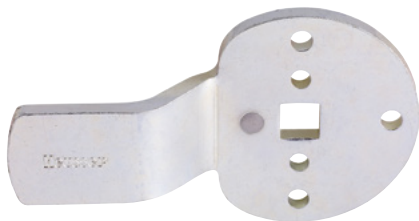
Rod lock



3465 with 3401



3465 with 3401



3465W02

Purpose of use

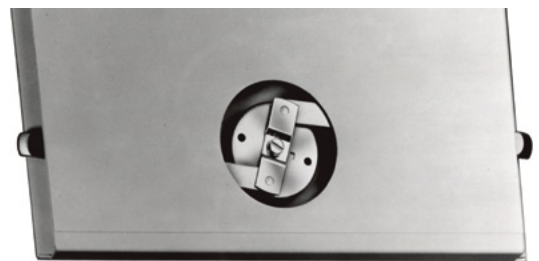
For metal cabinets in industrial and office buildings.

Standard version

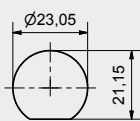
3465 rod lock with 3401 knob.

Special versions

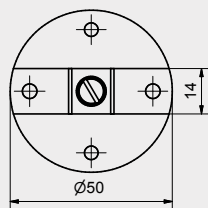
3465W02 three-point closure with 14mm crank rocker
 With 3411/12, 3413/14, 3413.2/14.2, 3481/82 knobs
 (other types on request)



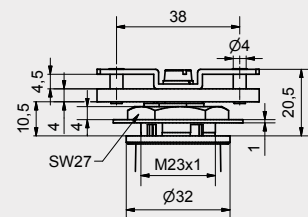
Example of use



3465



3465



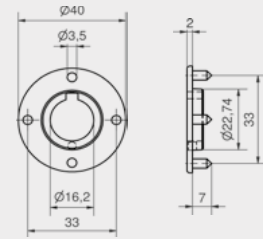
3465

Standard rosettes



R473/40

Round rosette to go with knobs:
 • 3413/14
 Surface nickel plated

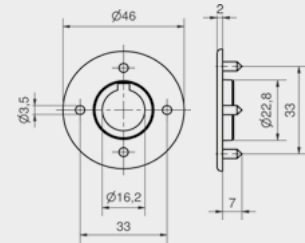


R473/40



R473/46

Round rosette to go with knobs:
 • 3401/02 • 3411/12
 Surfaces like the knobs

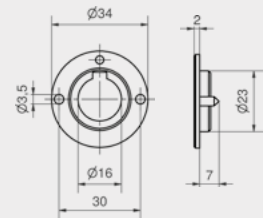


R473/46



R1306/34

Round rosette to go with knobs:
 • 3417/18 • 3413.2/14.2
 • 3481/82 • 3483/84
 • 3489/90
 Surface nickel plated

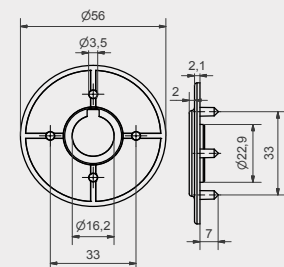


R1306/34



R3495

Round rosette for covering drill holes, paint edges, cracks and chips on the door.
 Goes with the following door-knobs:
 • 3413/14 • 3413.2/14.2
 • 3417/18 • 3481/82
 • 3483/84 • 3489/90
 • 3493/94 • 3495/96
 Surfaces like the knobs



R3495

■ Combo rosette



R3087

Rosette to fit all knobs in combination with TERZA combo drill hole at \varnothing 25mm (3080-25) or 30mm (3080). Surfaces like the knobs and bare



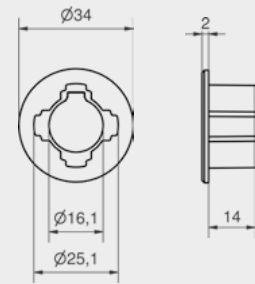
3087R3084

Reduction, in combination with rosette 3087 and combo casing 3080 to go with all knobs (apart from 3491/92).

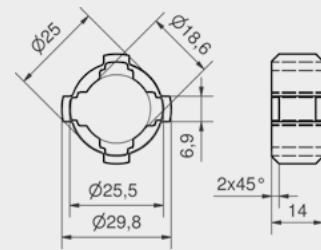


VR3087

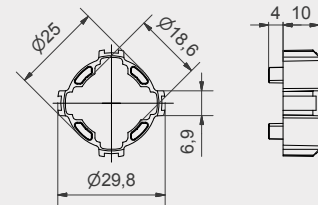
Extension goes with combo rosette R3087 in combination with TERZA combo for 30mm drill holes (3080).



R3087



3087R3084



VR3087

Thickness of wood	Number / extensions	Combo casings
16 - 22	1 (or red. 3087R3084)	3080-2/16 black
22 - 27	1 (or red. 3087R3084)	3080-2/22 blue
27 - 32	2	3080-2/16 black
32 - 37	2	3080-2/22 blue
37 - 42	3	3080-2/16 black
42 - 47	3	3080-2/22 blue

Thickness of wood	Number / extensions	Combo casing 3080
18 - 25	1	3080 Zinc
25 - 35	2	3080 Zinc
35 - 45	3	3080 Zinc

Extensions should only be joined together using Loctite or superglue.

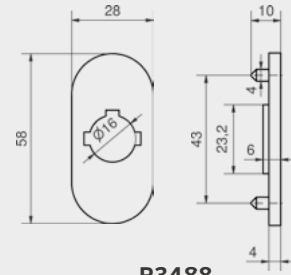
Rosettes

For metal and wood constructions



R3488

Rosette oval, 4 mm thick
Goes with the following doorknobs
• 3401/02
• 3411/12
Surfaces like the knobs

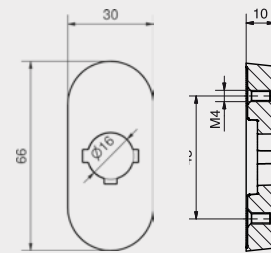


R3488



R3488/10-2

Rosettes oval, 10 mm thick with M4 thread hole
Goes with the following doorknobs
• 3401/02 with perforation for safety ring
• 3411/12 with perforation for safety ring
Surfaces like the knobs

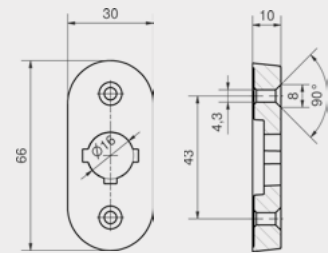


R3488/10-2



R3488/10-4

Rosette oval, 10 mm thick with M4 thread hole
Goes with the following doorknobs
• 3401/02 with perforation for safety ring
• 3411/12 with perforation for safety ring
Surfaces like the knobs

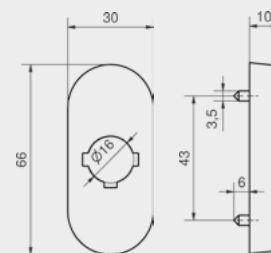


R3488/10-4



R3488/10-6

Rosette oval, 10 mm with \varnothing 3.5 mm pin
Goes with the following doorknobs
• 3401/02
• 3411/12
Surfaces like the knobs

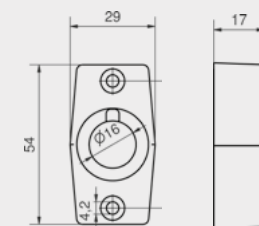


R3488/10-6



R3405/17

Rosette rhombic, 17 mm thick with M4 thread hole
Goes with the following doorknobs
• 3405/06 with perforation for safety ring
Surfaces like the knobs



R3405/17

■ Drilling jig / bit screwdriver



3400.01.A

3400.01.A boring jig A

Purpose of use:

To bore mortice holes for doorknobs with standard rosettes.

Knob type

- 3401/02
- 3411/12
- 3413/14

Rosette:

- R473/40
- R473/46
- R3495

Drill Ø 3.5 mm



3400.01.B

3400.01.B boring jig B

Purpose of use:

To bore mortice holes for doorknobs with standard rosettes.

Knob type:

- 3403/04
- 3417/18
- 3489/90
- 3405/06/07
- 3481/82
- 3413.2/14.2
- 3483/84

Rosette:

- R1306
- R3403
- R3405

Drill Ø 3.5 mm



3000/2

3000/2 bit screwdriver flexible

Purpose of use:

To tighten the TERZA bolt, practical to use thanks to flexible shaft.

Standard version:

Bit screwdriver, flexible, with 2 mm bit inset (for TERZA)



3000BIT2

Accessories:

Product no.	Description	Bit
-------------	-------------	-----

3000BIT2	Bit inset	2 mm
----------	-----------	------

3016

TERZA espagnolette lock



Purpose of use

Cupboard doors in homes, offices and industrial buildings

Standard version

Material	Metal / plastic
Surface	Nickel-plated
Bolt dimensions	38 mm
For bars	8x7 mm
Socket	7/7 mm
Rotation	90°
Direction	Can be used without migration left or right
Drill hole	Identical for 28/38 mm

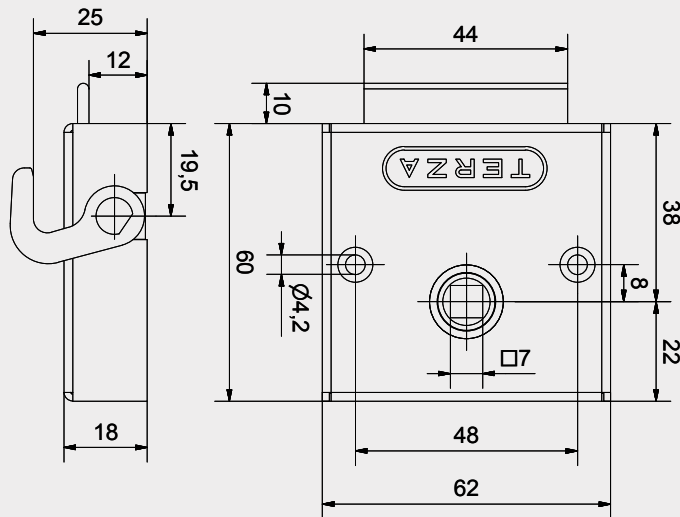
Rotary handle fixed using bolt

Special versions

- Other surfaces on request
- Bolt rotation 360° for 1057 cylinder, keys can be removed locked and unlocked (bolt cannot be used)
- Insertable
- For drawers (LAD)
- For bars 6x5 mm
- For bars, can only be closed upwards

Accessories on the following page

3016



3016

3017 TERZA espagnolette lock



Purpose of use

Cupboard doors in homes, offices and industrial buildings

Standard version

Material	Metal / plastic
Surface	Nickel-plated
Bolt dimensions	28 mm
For bars	8x7 mm
Socket	7/7 mm
Rotation	90°
Direction	Can be used without migration left or right
Drill hole	Identical for 28/38 mm

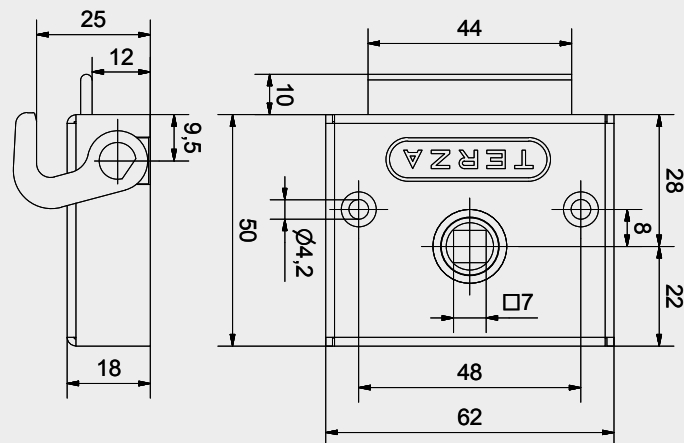
Rotary handle fixed using bolt

Special versions

- Other surfaces on request
- Bolt rotation 360° for 1057 rotation, keys can be removed locked and unlocked (bolt cannot be used)
- Insertable
- For drawers (LAD)
- For bars 6x5 mm
- For bars, can only be closed upwards

Accessories on the following page

3017



3017

3016SME

TERZA espagnolette lock



3016MSE

Purpose of use

Cupboard doors in homes, offices and industrial buildings

Standard version

Material	Metal / plastic
Surface	black matt
Bolt dimensions	38 mm
For bars	8x7 mm
Socket	7/7 mm
Rotation	90°
Direction	Can be used without migration left or right
Drill hole	Identical for 28/38 mm

Rotary handle fixed using bolt

Special versions

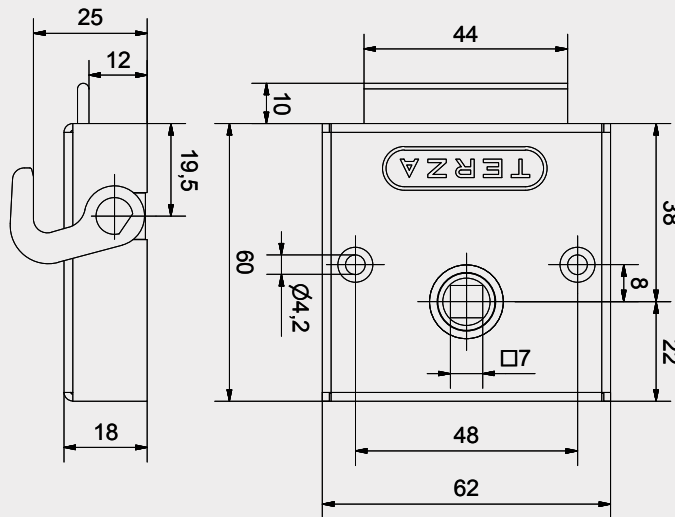
- Bolt rotation 360° for 1057 cylinder, keys can be removed locked and unlocked (bolt cannot be used)
- Insertable
- For drawers (LAD)
- For bars, can only be closed upwards

Accessories (included)

- Arrester hook 3037/38SM including screws
- Strike plate 3040SM including screws
- Bracket 3023SSM including screws
- Screws for lock fastening

Matching accessories

- Bar 3070SM250
- Bar bridle 3043SM Omega



3016

3017SME

TERZA espagnolette lock



3017SME

Purpose of use

Cupboard doors in homes, offices and industrial buildings

Standard version

Material	Metal / plastic
Surface	black matt
Bolt dimensions	28 mm
For bars	8x7 mm
Socket	7/7 mm
Rotation	90°
Direction	Can be used without migration left or right
Drill hole	Identical for 28/38 mm

Rotary handle fixed using bolt

Special versions

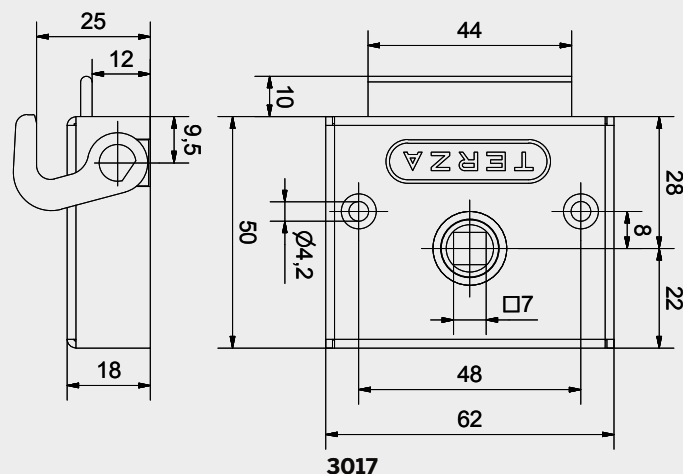
- Bolt rotation 360° for 1057 rotation, keys can be removed locked and unlocked (bolt cannot be used)
- Insertable
- For drawers (LAD)
- For bars, can only be closed upwards

Accessories (included)

- Arrester hook 3037/38SM including screws
- Strike plate 3040SM including screws
- Bracket 3023SSM including screws
- Screws for lock fastening

Matching accessories

- Bar 3070SM250
- Bar bridle 3043SM Omega



3017

TERZA

Accessories

Arrester hook



3037N



3038N



3037SM



3038SM



3037N Omega



3038N Omega



3047N
S/W



3048N
S/W

Bracket



3023N



3023SN



3023SSM



3025N



3026N



3028N



3029N



3030N



3031W

Strike plates



3040N



3040SM



3041-14N



3041-14N



3042N



3812W

TERZA Accessories

Combo casings/rosettes



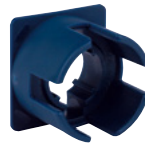
1008A-25



3044N



3080-2



3080-2/22



3080 Zink



3081N



3085N



3086SN



3088SN

Additional accessories



Kaba 1057



3032S/W/G



3045



3049N



3068



3082



3089SN



3090N



3091



3813T

Bars and bar bridles*



3043N



3043N Omega



3043SM Omega



3070N200
3070N225
3070N250
3070N300



3070SM250

* For 6 mm bars, bar bridles are recommended from a length of 220 cm
For 8 mm bars, bar bridles are recommended from a length of 225 cm

TERZA

Fixture options

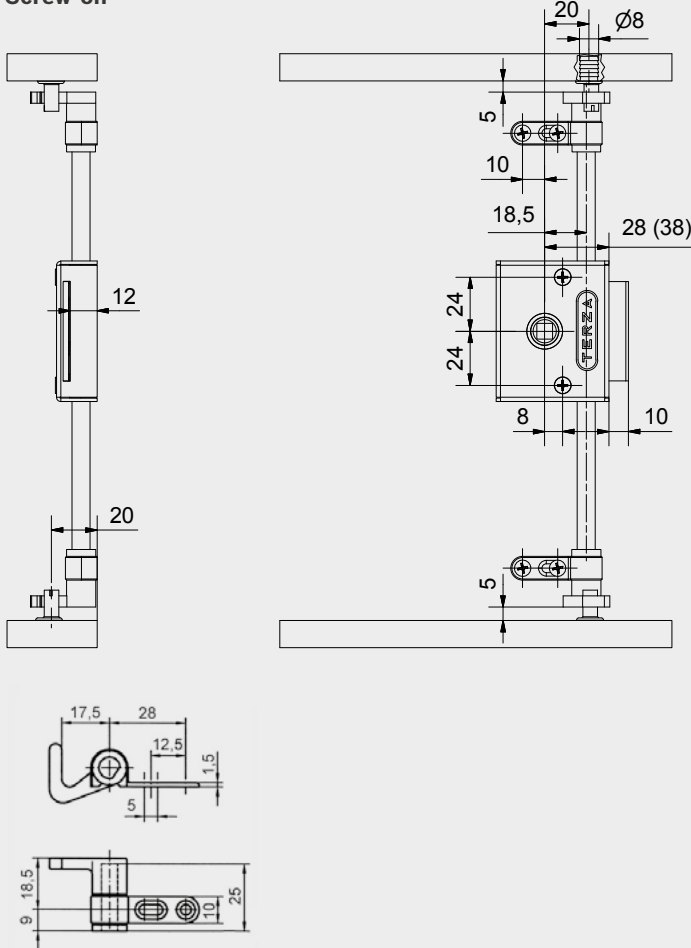


3017
Screw-on

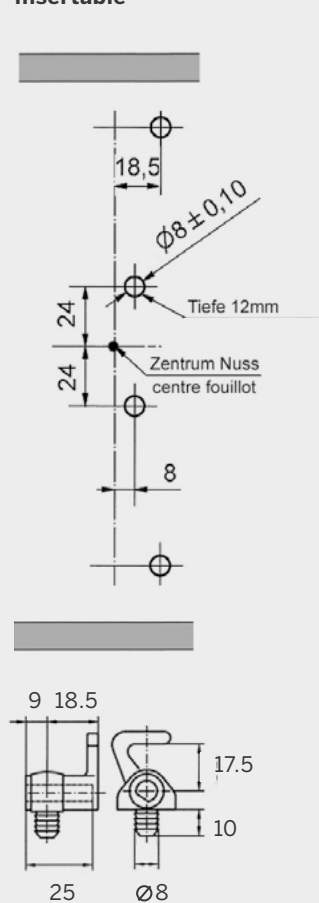


3017D
Insertable

Screw-on



Insertable

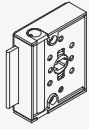

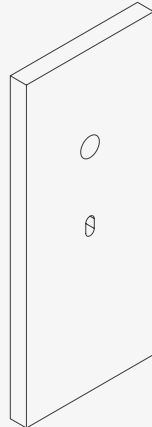

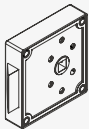

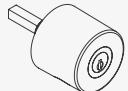

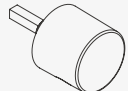
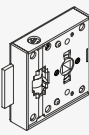




Please note!
Not suitable for fire safety use,
sutable espagnolette lock **3110T**

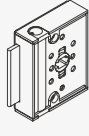

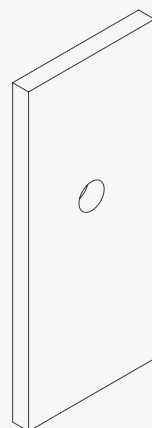


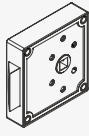


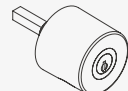

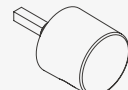
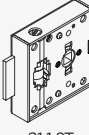

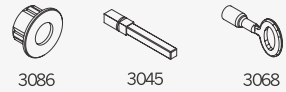


Standard and Kombi

For cupboard locks

STANDARD

Lock	Mounting plate	Doors	Operation
 TERZA	 3813T		Key  1008A-25 Cylinder Typ 1057
 2425	 3082 (only for terza)		Doorknob  Cylinder knob  R1306 R473/40 R473/46  Blank knob
 3110T			Key  3044 3045 3068
			Key  3049 3090 (only for terza)

KOMBI

Lock	Combo casing	Doors	Reduction/extension only for 3087	Operation
 TERZA	 3080-2		 Reduktion	Key  3085 Cylinder Typ 1057
 2425	 3080-2/22		 VR3087	Doorknob  Cylinder knob  3087  Blank knob
 3110T	 3080 Zink			Key  3086 3045 3068
				Key  3089 3090 (only for terza)
				For 7mm 4 cornered shaft  3081

3101

HEUSSER espagnolette lock



3101

Purpose of use

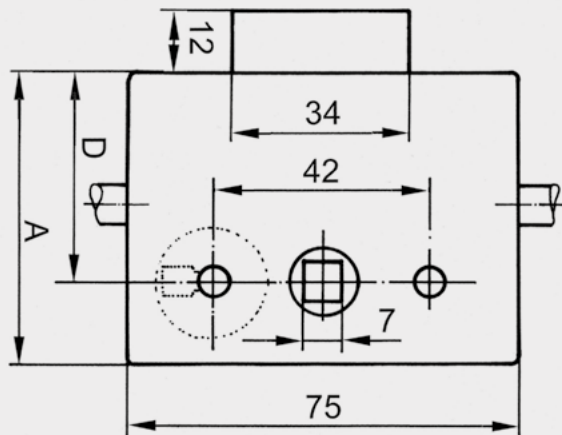
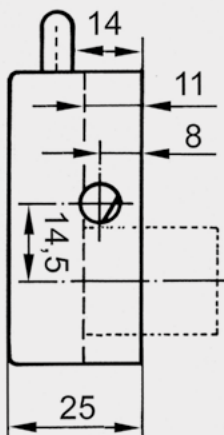
Cupboard doors in schools, offices and industrial buildings

Standard version

Material	Metal / plastic
Surface	Nickel-plated
Bolt dimensions	30 / 35 / 40 mm
For bars	8x7 mm
Closure	Number key
Rotation	90°
Direction	Can be used without migration left or right
Key rotation	360°

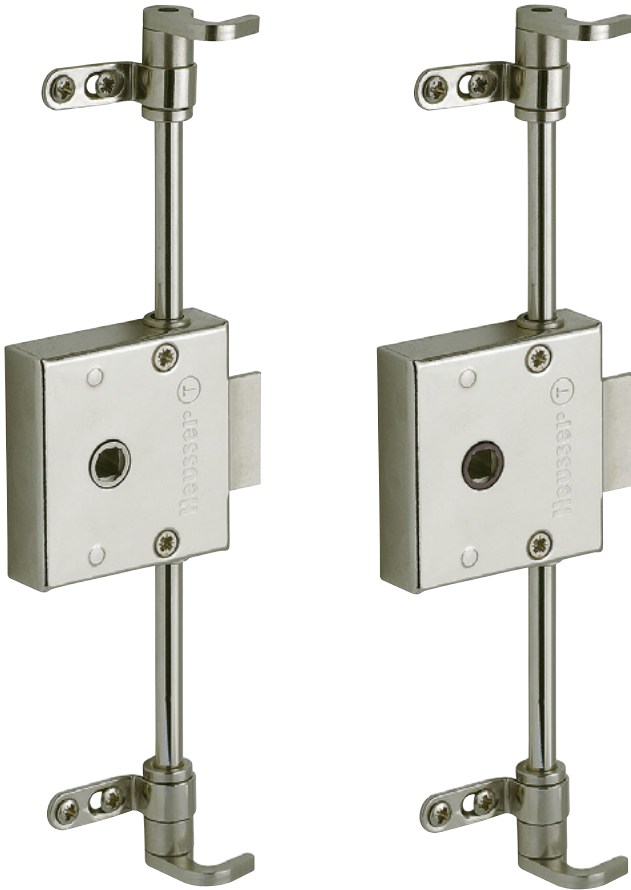
Accessories

- 3037/38N hook
- 3041/14N closing plate
- 2 x 3023N brackets
- Screws
- 1 x 3061N key
- 1 x 3049SNK key plate



D30 A=47
D35 A=52
D40 A=57

■ 3110T 90° / 360° Fire safety lock



3110T 90°

3110T 360°

Purpose of use

Fire doors on cupboards
in schools, offices and industrial buildings

Versions

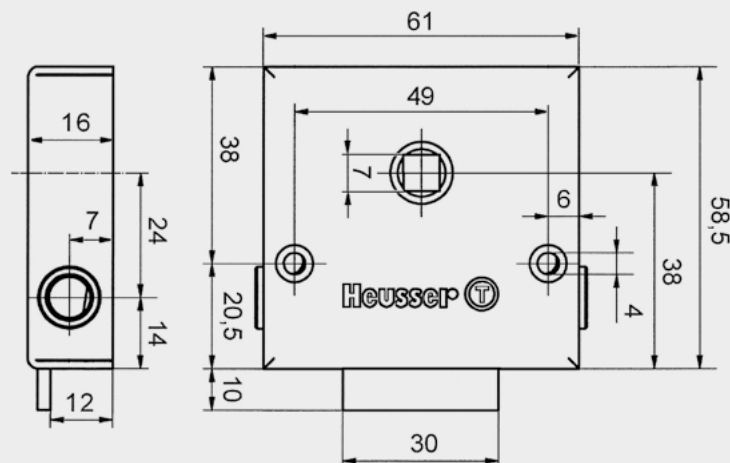
Material	Lock and arrester hook made from pure steel
Surface	Nickel-plated
Bolt dimensions	38 mm
For bars	8x7 mm
Socket	7/7 mm
Rotation	90° or 360° for square, keys can be removed locked and unlocked (bolt cannot be used)
Direction	Can be used without migration left or right

Special versions

- Other surfaces on request

Accessories / testing certificate on the following pages

Installation in accordance with fire safety regulations



3110T Accessories

Arrester hook



3037TN



3038TN



3037TN Omega



3038TN Omega

Bracket



3023N



3023SN



3025N



3026N



3028N



3030N

Strike plates



3040N



3041-12N



3041-14N



3042N



3813T



3080 Zinc

Test certificate

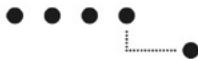
3110T fire safety lock

 HEUSSER

Schlossfabrik Heusser AG
CH-4853 Murgenthal

Tel. +41 62 918 24 00
Fax +41 62 918 24 10

www.heusserschloss.ch
info@heusserschloss.ch



Berner Fachhochschule

Technik und Informatik
Maschinentechnik Burgdorf

Prüfzeugnis

Prüfobjekt	Brandschutzschloss 3110T
Geprüftes Bauteil	Drehstangenschloss komplett aus Stahl für Brandschutz-Schranktüren Zusammenstellung siehe Seite 2
Auftraggeber	Schlossfabrik Heusser AG Herr Stephan Maag Murgstrasse 11 CH - 4853 Murgenthal / Schweiz
Durchgeführte Prüfung	Exposition gemäss ETK-Normbrandkurve: Nachweis Feuerwiderstand bei Temperaturen 842 / 945 / 1006 °C entsprechend der Prüfung für Feuerwiderstandsklassen T 30 / T 60 / T 90
Normbezug	Orientierende Prüfung in Anlehnung an die Normen EN 1363-1 / 1634-1 „Feuerwiderstandsprüfungen“ und die VKF-Brandschutzrichtlinie Pt. 4.1 – Bewe- gliche Abschlüsse (T) wie Türen und Tore
Ergebnis	Nachweis erfüllt: Zusammenfassung siehe Seite 2
Prüfbericht	Feuerwiderstandsprüfungen am Brandschutz- schloss 3110T / Bericht vom 23. April 2008 / BNM1
Prüfdatum	19. März 2008
Prüfadresse	Berner FH Technik und Informatik Fachbereich Maschinentechnik Max Brenner Pestalozzistrasse 20 CH - 3400 Burgdorf / Schweiz
Sachbearbeiter	Richard Huber Technischer Mitarbeiter 
Prüfungsleitung	Max Brenner Dipl.-Ing. ETH / SIA 
Ausstelldatum	23. April 2008

Maschinentechnik Burgdorf

Angewandte Forschung und Entwicklung

B3110T

Set of fittings for riser duct and electrical fronts



Purpose of use

Cupboard doors for riser zones in offices, industrial buildings, schools and hospitals. Especially suitable for heavy, non-combustible cupboard fronts. The hinges prevent the cupboard doors from descending by axial force and supported screws. Hidden installation possible, as the frame section can be faced. No annoying hinges on the inside, as they are mounted in the base or facing area.

Fittings for VSSM vertical duct and electric front EI30-RF1/EI30 (nbb) with VKF-No. 25548:

- B3110T.1 Basic set
- B3110T.Z1 Additional set 1 (door 1500 - 2200 mm)
- B3110T.Z2 Additional set 2 (door 2201 - 2600 mm)
- B3110T.Z3 Additional set 3 (door 2601 - 3000 mm)
- B3110T.S1 Strike plate set 1
(1-wing, for all heights)
- B3110T.S2 Strike plate set 2
(2-wing, for all heights)

Design

Material	Metal
Surface	Zinc-plated
Fixing material	Included

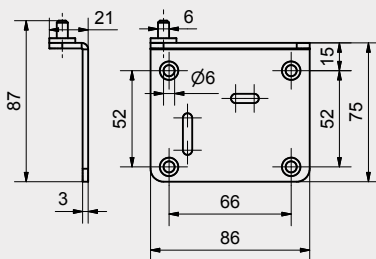


B3110T Example of use

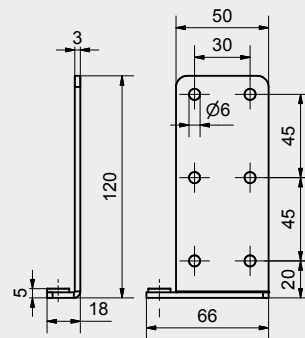


Hinge frame section, left

Hinge door panel section, left



Hinge frame section, left
(right on the opposite side)



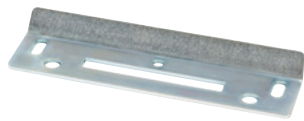
Hinge door panel section, left
(right on the opposite side)

B3110T

Set of fittings for riser duct and electrical fronts



Hinge guide frame section



Hinge safety catch frame section



Hinge guide door panel section

B3110T.1 basic set:

- 1 x hinge door panel section, left
- 1 x hinge door panel section, right
- 1 x hinge part of frame, left
- 1 x hinge part of frame, right
- 2 x lay plates at 14 x 1.5 mm
- 8 chipboard screws SK 4.5 x 30
- 12 chipboard screws SK 4.5 x 16
- 1 Hinge guide frame section
- 1 Hinge guide door panel section
- 10 chipboard screws RK 3.5 x 30
- 10 chipboard screws SK 3.5 x 25

B3110T.Z1 Additional set 1

- (door height 1500 to 2200 mm):
- 2 hinge safety catches frame section
 - 2 hinge guides door panel section
 - 4 chipboard screws RK 3.5 x 30
 - 4 chipboard screws SK 3.5 x 15

B3110T.Z2 Additional set 2

- (door height 2201 to 2600 mm):
- 3 hinge safety catches frame section
 - 3 hinge guides door panel section
 - 6 chipboard screws RK 3.5 x 30
 - 6 chipboard screws SK 3.5 x 15

B3110T.Z3 Additional set 3

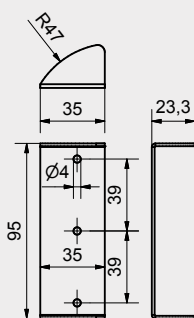
- (door height 2601 to 3000 mm):
- 4 hinge safety catches frame section
 - 4 hinge guides door panel section
 - 8 chipboard screws RK 3.5 x 30
 - 8 chipboard screws SK 3.5 x 15

B3110T.S1 strike plate set 1

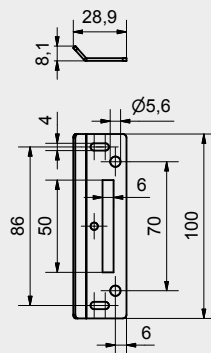
- (1-wing, for all heights):
- 2 hinge safety catches frame section
 - 4 chipboard screws RK 3.5 x 125

B3110T.S2 strike plate set 2

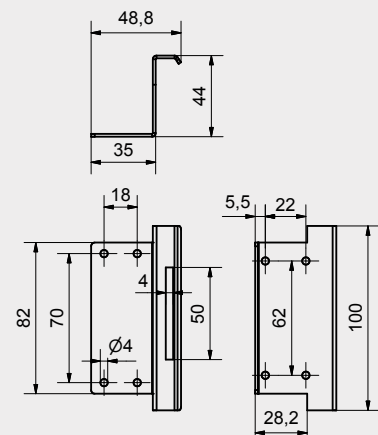
- (2-wing, for all heights):
- 2 hinge guides door panel section
 - 4 chipboard screws RK 3.5 x 15



Hinge guide frame section



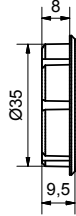
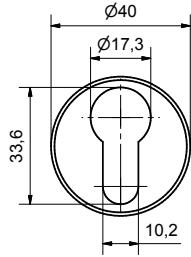
Hinge safety catch frame section



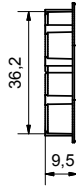
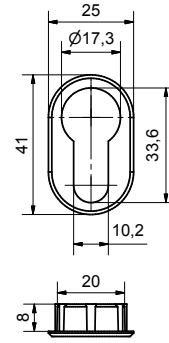
Hinge guide door panel section

3120 Accessories

Rosettes



R3120R



R3120O

Additional accessories



3037N



3038N



3037N Omega



3038N Omega



3047N
S/W



3048N
S/W



3043N



3043N Omega



3070N



3040N



3041-12N



3041-14N



3023N



3023SN



3025N



3026N



3028N



3029N



3030N



3031W

2422

Screw-on lock

2424

Screw-on lock



2422 screw-on lock

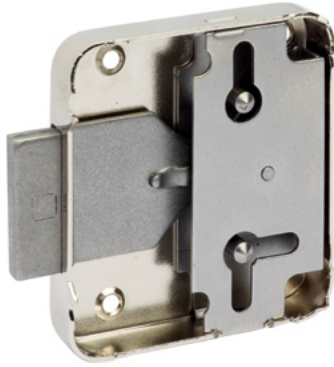
Purpose of use

Screw-on furniture lock for cupboard doors and drawers.

Standard version

Material	Steel
Surface	Nickel-plated
Bolt dimensions	30 / 40 / 50 mm
Direction	Left/right and drawers
Closure	Lock designed for KABA 1008c/M44

2422



2424 screw-on lock

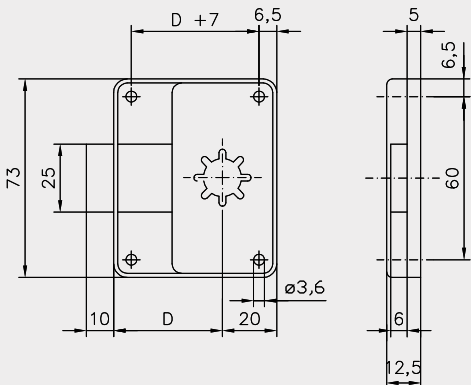
Purpose of use

Screw-on furniture lock.

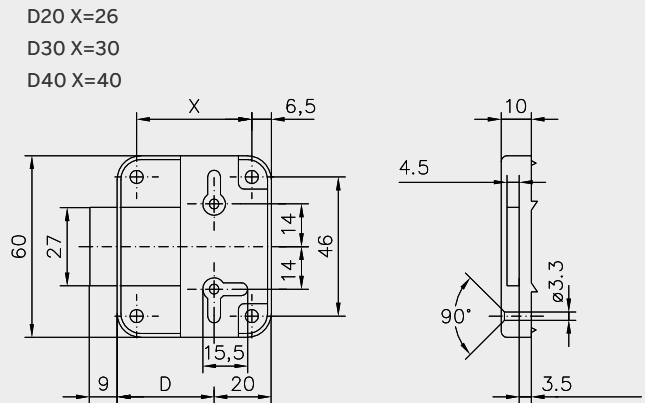
Standard version

Material	Steel
Surface	Nickel-plated
Bolt dimensions	20 / 30 / 40 mm
Direction	Left/right and drawers
Closure	Euro closure
Keys	1 x 3075N key including

2424



2422



2424

2430W

Drop latch



2430W Signal white RAL 9003



Example of use

Purpose of use

Self-closing latch lock for drawers, small furniture doors, e.g. in health care

Standard version

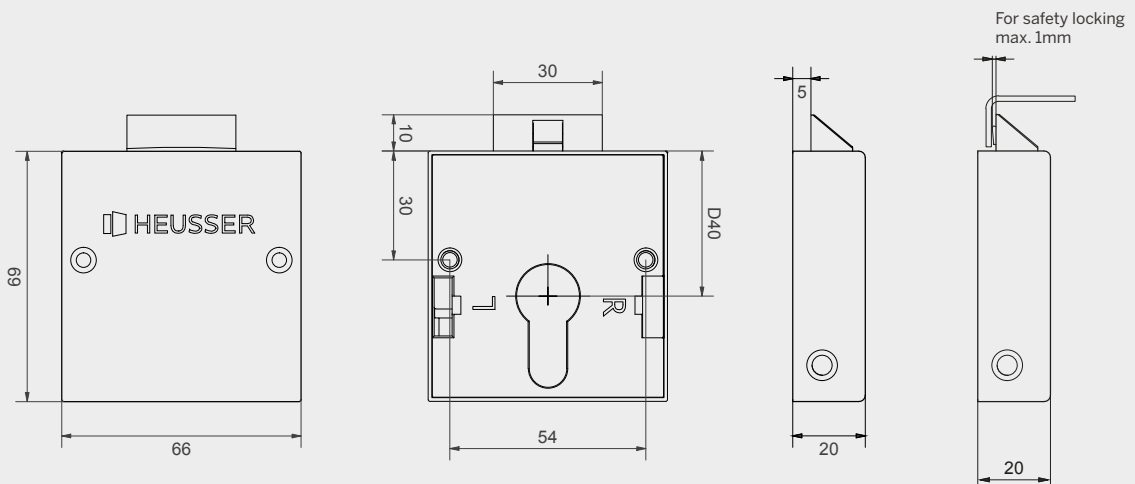
Material	Zinc
Surface	Antibacterial lacquered signal white RAL 9003 IGP DURA®care Liquid
Trap	Self-closing
Bolt dimensions	40 mm
Cylinder	17 mm Euro profile half cylinder
Direction	Can be adjusted to left/right

Accessories (included)

Locking plate 3041-12N including screws
Lock fixing screws

Accessories

Rosette	R3120R R3120O
---------	------------------



2430A

Drop latch



2430A Anthracite grey RAL 7016



Example of use

Purpose of use

Self-closing latch lock for drawers, small furniture doors, e.g. in health care

Standard version

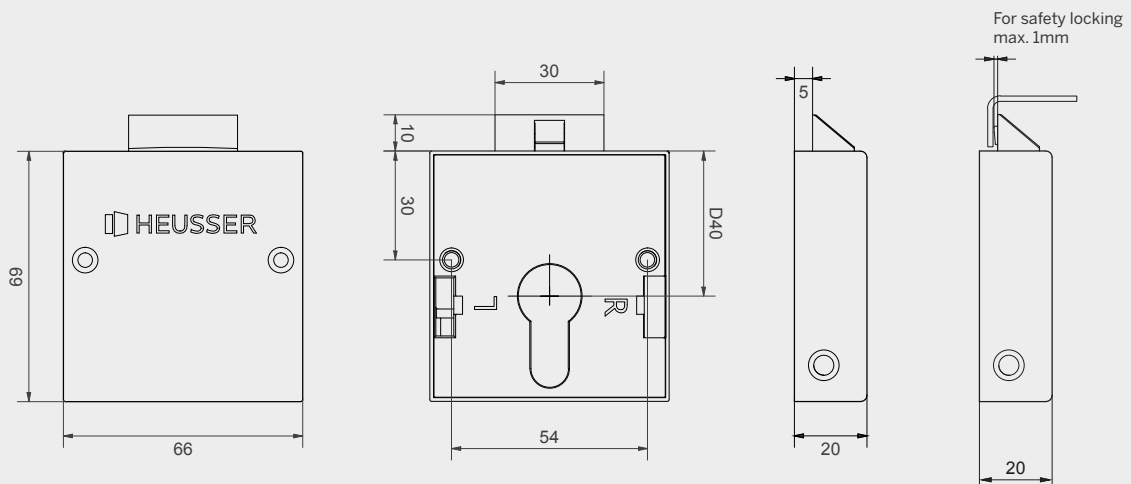
Material	Zinc
Surface	antibacterial lacquered anthracite grey RAL 7016 GP DURA@care Liquid
Trap	Self-closing
Bolt dimensions	40 mm
Cylinder	17 mm Euro profile half cylinder
Direction	Can be adjusted to left/right

Accessories (included)

Locking plate 3041-12N including screws
Lock fixing screws

Accessories

Rosette	R3120R R31200
---------	------------------



2425

Drop latch



2425 Front side



2425 Back side

Purpose of use

Drop latch for drawers, small cupboard doors etc.

Standard version

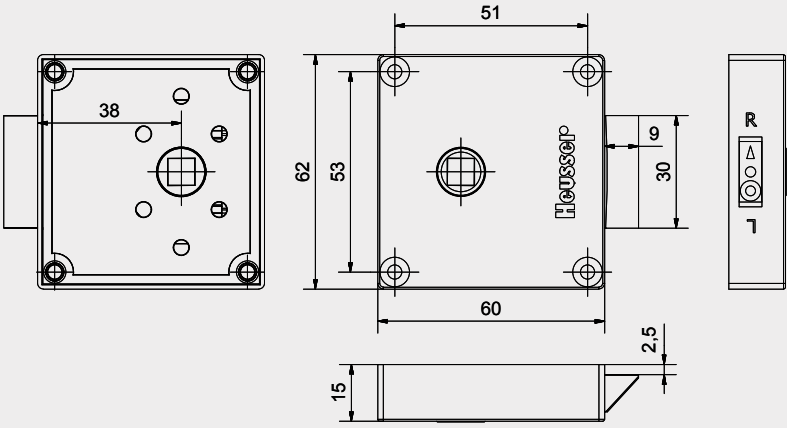
Material	Zinc
Surface	Nickel-plated
Bolt dimensions	38 mm
Socket	7 mm
Direction	Can be adjusted to left/right

Matching cylinder

Brand/type	KABA / 1057 ASSA ABLOY / X3.145 SEA / 4.082.10.00
------------	---

Accessories

Rotary handle installation	Combo casing 3080-2, 3087 rosette with reduction
Cylinder installation	3813 BS plate, 1008A-25 rosette



2501 Mortice lock



Purpose of use

Furniture mortice lock, suitable for left/right and for drawers..

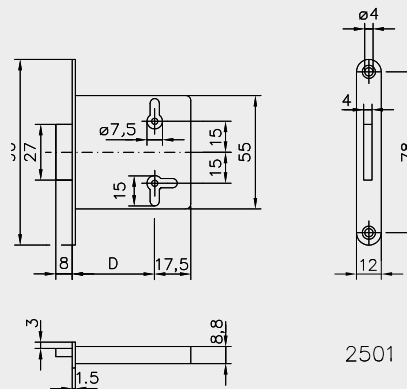
Standard version

Material	Steel bare / brass
Bolt dimensions	20 / 50 mm
Direction	Left/right and drawers
Closure	Euro closure
Keys	1 x 3075N key including

Accessories

Strike plate	2699X002
--------------	----------

2501



2501

2501

2711

Screw-on bar lock



Standard version

Material	Steel / plastic
Surface	Nickel-plated
Bar feed	10 mm
Profile bar	10x3 mm, item 2760
Direction	Left version 2711N199 Right version 2711N299

001 accessories

- 1 x 3075N key
- 2 x 2765N002 strike plates
- 2 x 2755N002 bar adhesions
- 1 x KST BS52 key finder

002 accessories

- 2 x 2765N002 strike plates
- 2 x 2755N002 bar adhesions
- 1 x BS50 cylinder plate

Accessories on page 56

Assembly instructions

Bar installation only possible on bolted locks. BS50/BS50A: Screws M2,3x6 (head-Ø3.5 mm), Torque max.: 12 Ncm

Matching cylinder

Cylinder	Type	Tappet	Plate
KABA	1008c	M46	BS50
KESO	23.008	E250/03	BS50
SEA	4.022.03	T09.758.009	BS50
FIRST	1615	3355	BS50
DOM	2208	M46	BS50A
CES	42	95.136	BS50B

2711



BS52



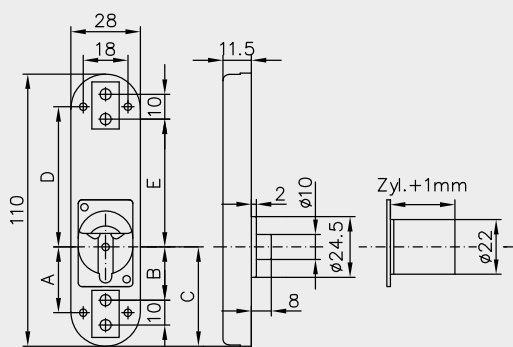
BS50



BS50A

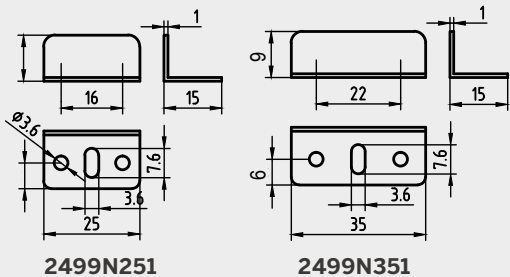


BS50B



	BS52	BS50	BS50A	BS50B
A	26.5	26.5	28.5	29.5
B	21	21	23	24
C	40	40	42	43
D	56.5	56.5	54.5	53.5
E	51	51	49	48

Furniture lock accessories

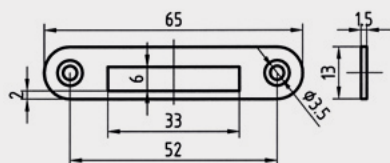


2499N251

2499N351

Bracket

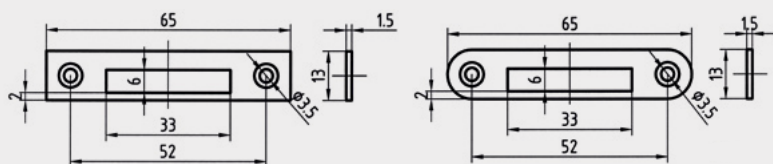
Material	Steel
Surface	Nickel-plated
2499N251	25 mm
2499N351	35 mm



2599N002

Flat strike plate

Material	Steel
Surface	Nickel-plated
2599N002	Round

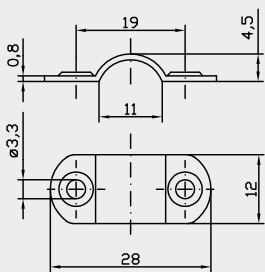


2699N001

2699N002

Flat strike plate

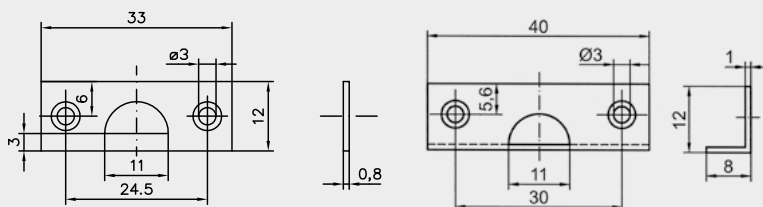
Material	Brass
Surface	N = nickel-plated X = bare
2699N001 / 2699X001	Angular
2699N002 / 2699X002	Round



2755N002

Bar adhesion

Material	Steel
Surface	Nickel-plated
2755N002	Profile 10 x 3 mm

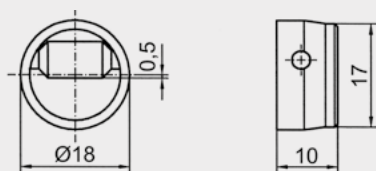


2765N002

2765N003

Strike plate

Material	Steel
Surface	Nickel-plated
2765N002	Profile 10 x 3 mm
2765N003	Profile 10 x 3 mm



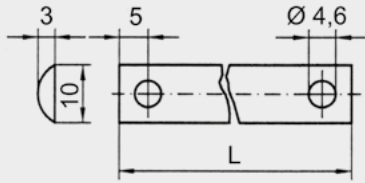
2765

Roller bracket

Material	Aluminium
Surface	Bare
2765X006	
Material	Nylon
Colour	2765W007 W = white 2765B007 B = brown

Furniture lock accessories

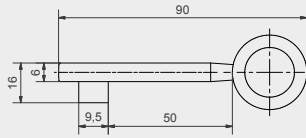
Bars / keys



2760

Bars

Material:	Steel
Surface:	Nickel-plated
2760N050	Length 500 mm
2760N085	Length 850 mm
2760N100	Length 1000 mm
2760N125	Length 1250 mm
2760N150	Length 1500 mm

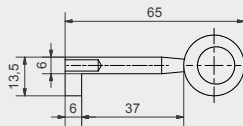


3061

Keys

3061

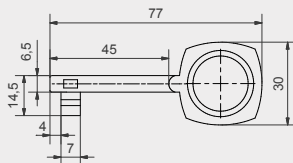
- Keys in 10 upsweeps
- For: 3101
- Nickel-plated malleable iron



3075

3075

- EURO keys
- For: 2424, 2501, 2601, 2711
- 3075N = nickel-plated brass
- 3075G = gold-plated brass

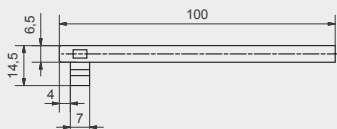


3090



3090

- Keys in 6 upsweeps
- For: TERZA
- 3090N = nickel-plated zinc
- 3090G = gold-plated zinc

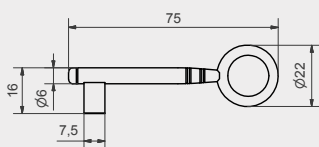


3091



3091

- Key bar in 6 upsweeps, without bow
- For: TERZA
- Plain brass



7453



7453

- Keys in 8 upsweeps
- For: 2407, 2421
- Nickel-plated malleable iron

2903 Shutter lock



2903 Strike plate

2903

Purpose of use

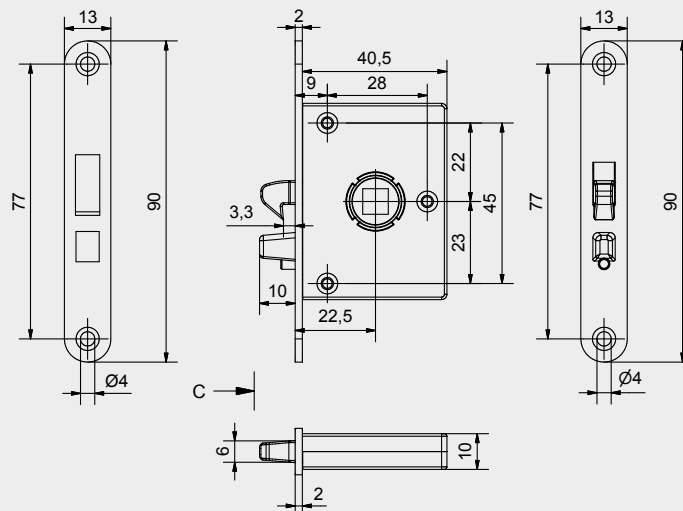
Shutter bracket for furniture cylinders, can be integrated into locking systems.

Standard version

Material	Metal
Surface	Zinc-plated
Bolt dimensions	22 mm
Socket	7mm
Direction	Can be used without migration left or right
Strike plate	Included

Matching cylinder (rod length 10.5 mm)

Cylinder	Type
KABA	1057
ASSA ABLOY	X3.145
SEA	4.082.10.00



2720

Closing handle for furniture shutters



2720



Example of use

Purpose of use

Self-closing handle to lock standard cupboard shutters for use in administration, hotels and hospitals.

A shuttered cupboard can be locked in just a few steps: existing handles can be replaced by the 2720 locking handles and two strike plates can be affixed to the sides.

REHAU designs

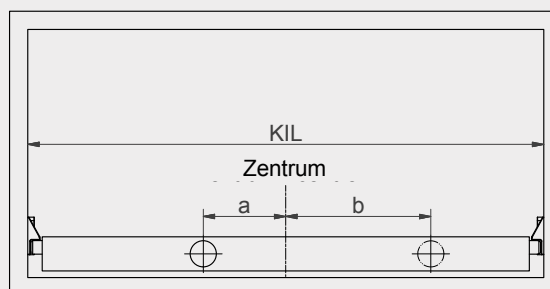
Locking handle without cylinder with two side strike plates in a range of designs:

- Design for furniture cylinder with square (KIL min. 300 mm)
- Design for Euro profile half cylinder 17 mm (KIL min. 505 mm)

Order details

Surface	Real aluminium or steel-look
Length	KIL (interior body light)
Design	Version 1, version 2 or Version 3 (see following page)
Cylinder	Furniture cylinder design (Square) or Euro profile Half cylinder
Cylinder position	Central or in accordance with schematic
Lock opening	Clockwise or counter-clockwise

Can be integrated into lock system / cylinder retroactively



Cylinder position schematic

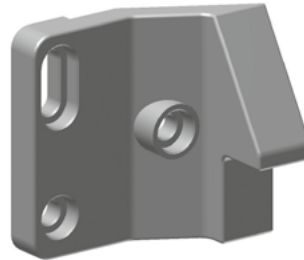
2720

Closing handle for furniture shutters

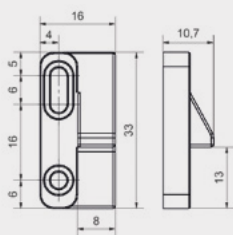
	Runners	Strike plate type
Version 1		2720.10
Version 2		2720.10
Version 3		2720.20



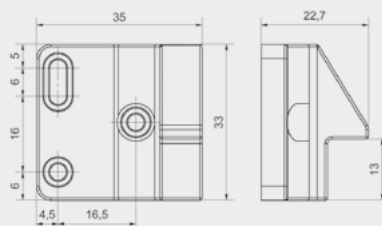
2720.10 Strike plate



2720.20 Strike plate



2720.10



2720.20

■ Door solutions

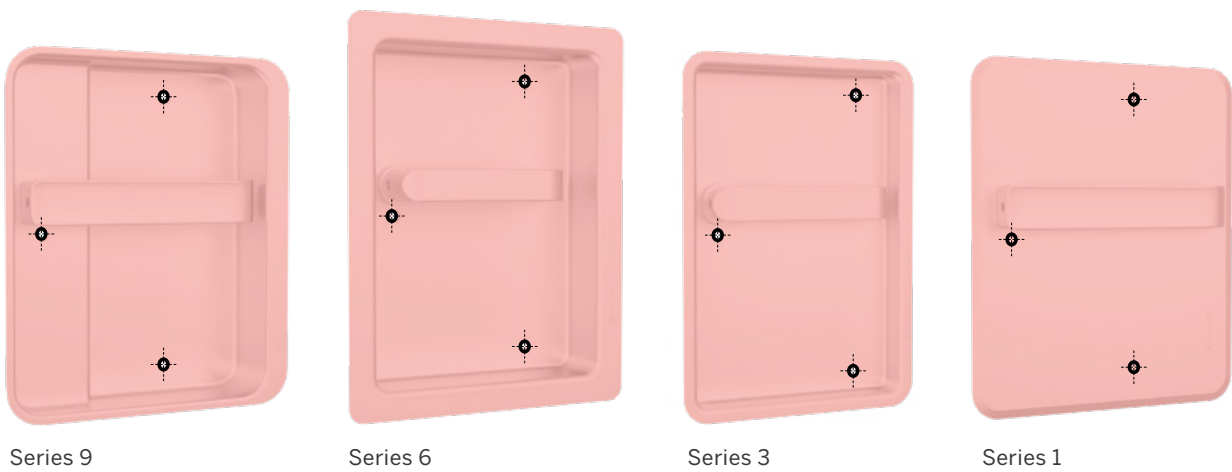
Content



■ New generation HEUSSER-Inset Locks For secure fastening in the door leaf

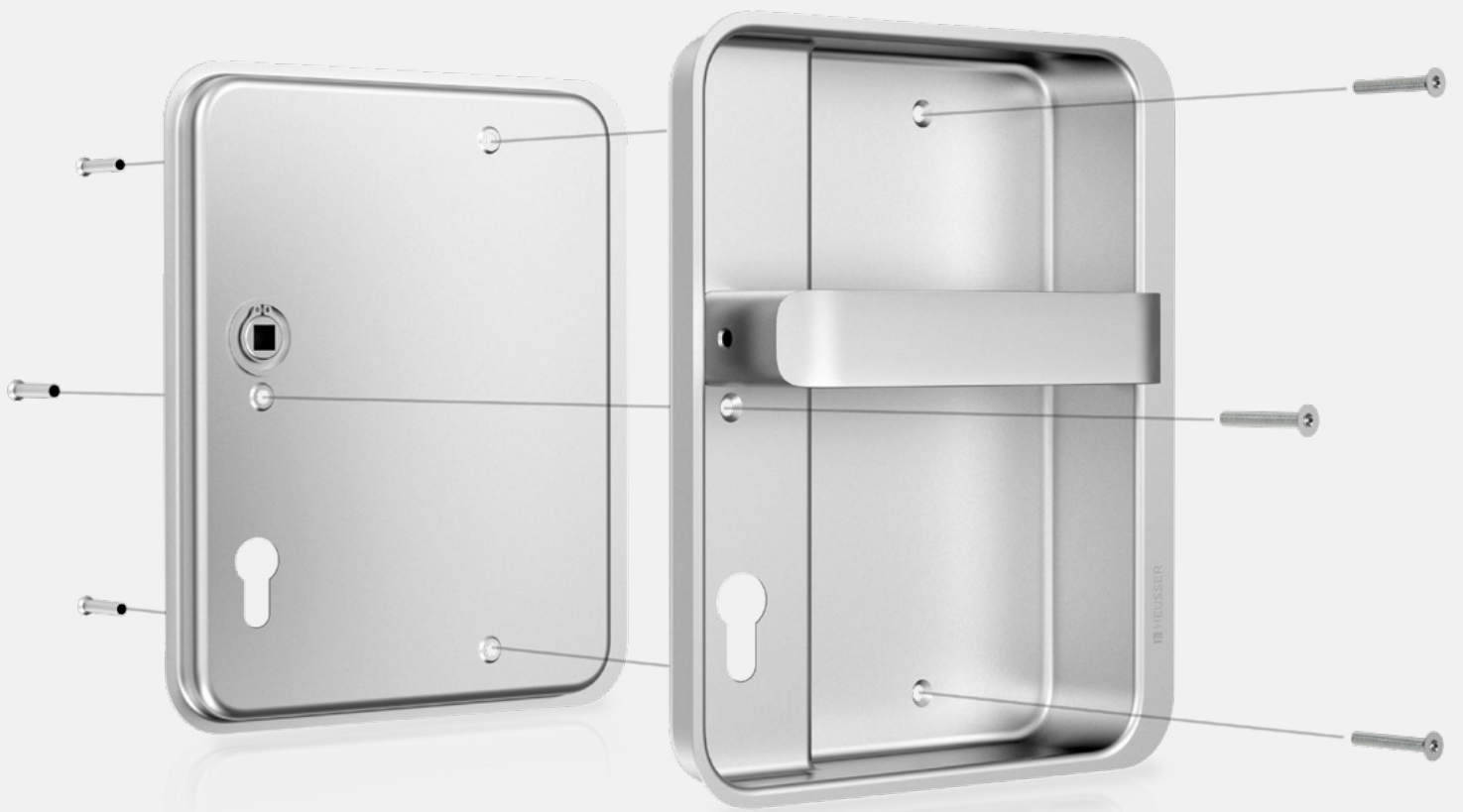
Four series - one uniform screw connection. The characteristics of the new generation:

- dental hole pattern
- mutual screwing by fastening set
- secure fastening in the door leaf
- new safety standard for escape doors



Download



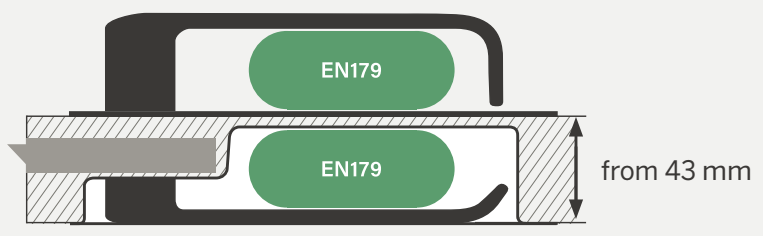


■ Certified security

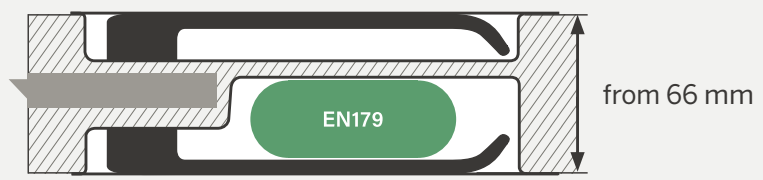
Heusser-Inset Locks according to EN 179 for your construction projects

- smooth approval of the building thanks to certified HEUSSER-Inset Locks
- according to EN 179 standard tested by the institutes ift, MPA
- with various lock manufacturers

Application example 1
for double-sided escape doors
S9.42.D3 combined with S1.0.D4



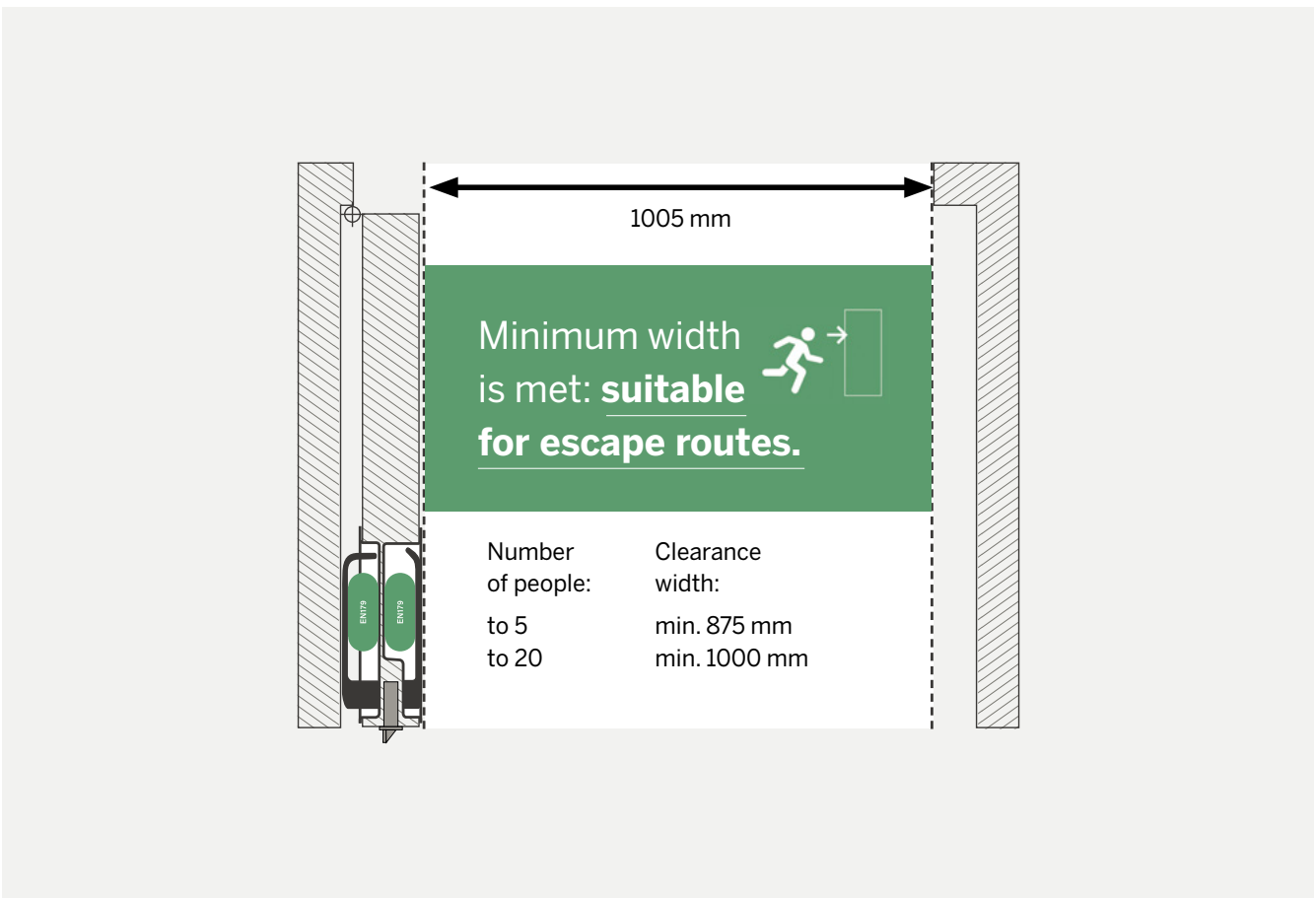
Application example 2
for sliding doors and wicket doors
S9.42.D3 combined with S9.20.D3



■ Less is more

Achieve lower construction costs with flush-mounted Heusser-Inset Locks

- extend passage width / clearance width
- narrower corridor
- lower space requirement



■ Architectural harmony

Heusser-Inset Locks in desired colors

- painted, powder-coated in RAL, NCS, metal look
- metallic surfaces such as brass-plated, burnished
- suitable for your high-quality object



■ Securely closed

Double-leaf doors without open standing wing doors

- marking the operating order for users
- by coloring the handle in green, red



HEUSSER-Inset Locks Series 9



S9.42.D3
Tray depth: 42 mm
Handle overlap: 0 mm



S9.20.D3
Tray depth: 20 mm
Handle overlap: 0 mm



S9.13.D3
Tray depth: 13 mm
Handle overlap: 7 mm



S9.42.D4
Tray depth: 42 mm
Handle overlap: 24,5 mm



S9.20.D4
Tray depth: 20 mm
Handle overlap: 24,5 mm



S9.13.D4
Tray depth: 13 mm
Handle overlap: 31,5 mm

HEUSSER-Inset Locks Series 6



S6.42.D2
Tray depth: 42 mm
Handle overlap: 4 mm



S6.20.D2
Tray depth: 20 mm
Handle overlap: 26 mm



S6.13.D2
Tray depth: 13 mm
Handle overlap: 33 mm



S6.20.D1
Tray depth: 20 mm
Handle overlap: 0 mm



S6.13.D1
Tray depth: 13 mm
Handle overlap: 7 mm

HEUSSER-Inset Locks Series 3



S3.20.D1

Tray depth: 20 mm
Handle overlap: 0 mm



S3.13.D1

Tray depth: 13 mm
Handle overlap: 7 mm



S3.20.D2

Tray depth: 20 mm
Handle overlap: 26 mm



S3.13.D2

Tray depth: 13 mm
Handle overlap: 33 mm

HEUSSER-Inset Locks Series 1



S1.0.D1

Handle overlap: 20 mm



S1.0.D2

Handle overlap: 46 mm



S1.0.D3

Handle overlap: 20 mm



S1.0.D4

Handle overlap: 44,5 mm



S1.0.D7

Handle overlap: 57 mm

EN179

Emergency doors suitable and tested according to DIN EN179



flush-mounted handle

S9.42.D3 HEUSSER-Inset Lock

Tray depth 42 mm / flush-mounted handle



S9.42.D3 Handle right side



Purpose of use

For emergency doors according to EN 179 flush handle in sports halls, sliding doors, pass doors and fire safety doors. Shallow installation depth in the lock area thanks to the two-stage design.

Design

Material	Stainless steel 1.4404 AISI 316L
Surface	Polished
Socket	9 mm
Handle	With hex screw Guide 16 mm Hex key included

Order details

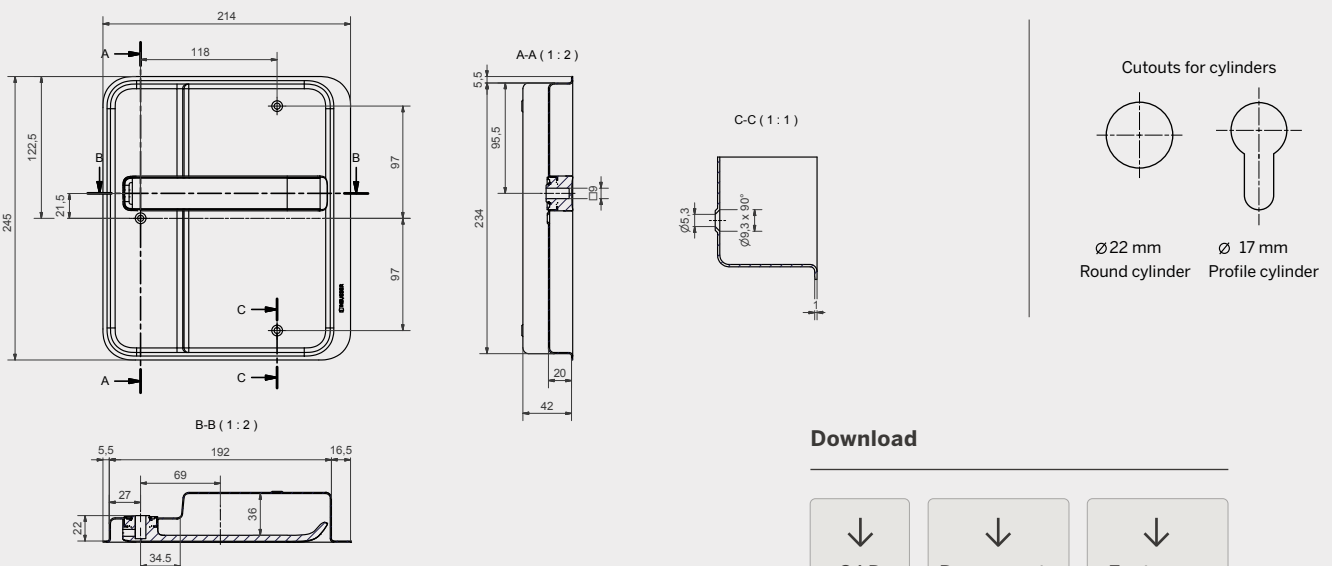
Spacing	S9.42.D3.0 blind S9.42.D3.2 RZ-74, 78, 94 mm S9.42.D3.3 PZ-72, 78, 88, 92 mm
Direction	Right/left

Accessories

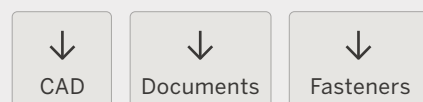
Screw set for opposite screwing.

Custom versions

Custom finishes are available in RAL, NCS, or metallic colors, painted or powder-coated. Additional options are available upon request.



Download



S9.42.D4 HEUSSER-Inset Lock

Tray depth 42 mm / overlap 24,5 mm



S9.42.D4 Handle right side



Purpose of use

For escape doors according to EN 179 suitable handle for pass doors and fire protection doors. Shallow installation depth in the lock area thanks to the two-stage design.

Design

Material	Stainless steel 1.4404 AISI 316L
Surface	Polished
Socket	9 mm
Handle	With hex screw Guide 16 mm Hex key included

Order details

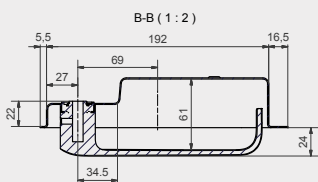
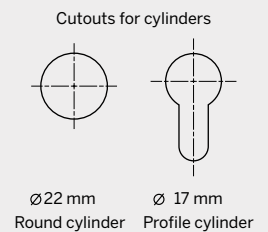
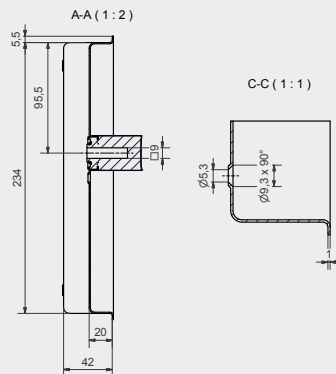
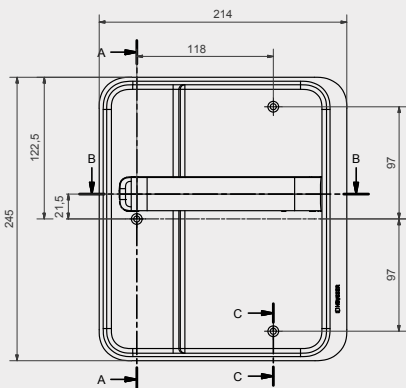
Spacing	S9.42.D4.0 blind S9.42.D4.2 RZ-74, 78, 94 mm S9.42.D4.3 PZ-72, 78, 88, 92 mm
Direction	Right/left

Accessories

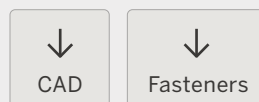
Screw set for opposite screwing.

Custom versions

Custom finishes are available in RAL, NCS, or metallic colors, painted or powder-coated. Additional options are available upon request.



Download



S9.20.D3 HEUSSER-Inset Lock

Tray depth 20 mm / flush-mounted handle



S9.20.D3 Handle right side



EDEL-STAHL



Purpose of use

Flush handle in sports halls, sliding doors, pass doors and fire safety doors. Not suitable for emergency exits in accordance with EN 179.

Design

Material	Stainless steel 1.4404 AISI 316L
Surface	Polished
Socket	9 mm
Handle	With hex screw Guide 16 mm Hex key included

Order details

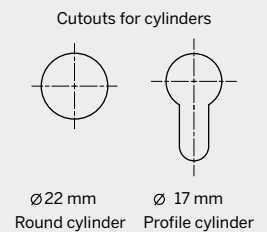
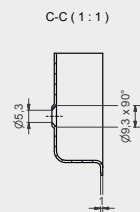
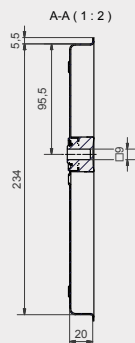
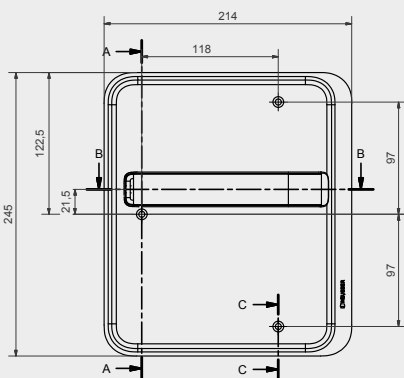
Spacing	S9.20.D3.0 blind
	S9.20.D3.2 RZ-74, 78, 94 mm
	S9.20.D3.3 PZ-72, 78, 88, 92 mm
Direction	Right/left

Accessories

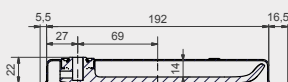
Screw set for opposite screwing.

Custom versions

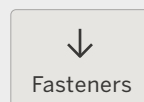
Custom finishes are available in RAL, NCS, or metallic colors, painted or powder-coated. Additional options are available upon request.



B-B (1:2)



Download



S9.20.D4 HEUSSER-Inset Lock

Tray depth 20 mm / overlap 24,5 mm



S9.20.D4 Handle right side



Purpose of use

For escape doors according to EN 179 suitable handle for pass doors and fire protection doors.

Design

Material	Stainless steel 1.4404 AISI 316L
Surface	Polished
Socket	9 mm
Handle	With hex screw Guide 16 mm Hex key included

Order details

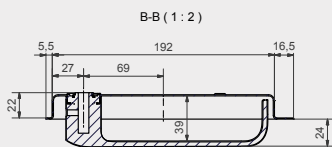
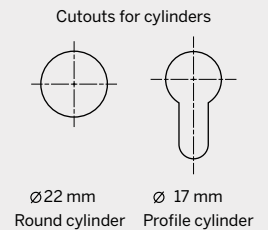
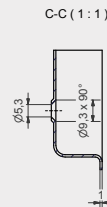
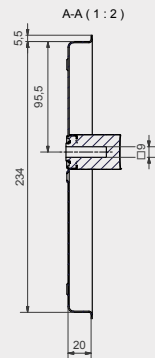
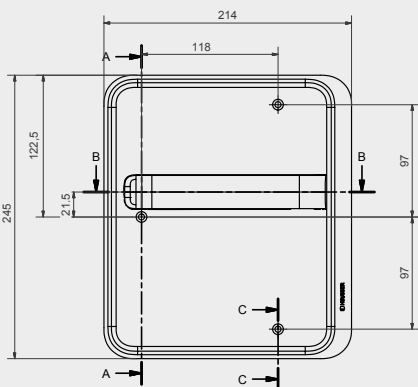
Spacing	S9.20.D4.0 blind S9.20.D4.2 RZ-74, 78, 94 mm S9.20.D4.3 PZ-72, 78, 88, 92 mm
Direction	Right/left

Accessories

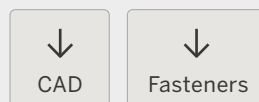
Screw set for opposite screwing.

Custom versions

Custom finishes are available in RAL, NCS, or metallic colors, painted or powder-coated. Additional options are available upon request.



Download



S9.13.D3 HEUSSER-Inset Lock

Tray depth 13 mm / overlap 7 mm



S9.13.D3 Handle right side



Purpose of use

Handle in sports halls, sliding doors, pass doors and fire safety doors. Not suitable for emergency exits in accordance with EN 179.

Design

Material	Stainless steel 1.4404 AISI 316L
Surface	Polished
Socket	9 mm
Handle	With hex screw Guide 16 mm Hex key included

Order details

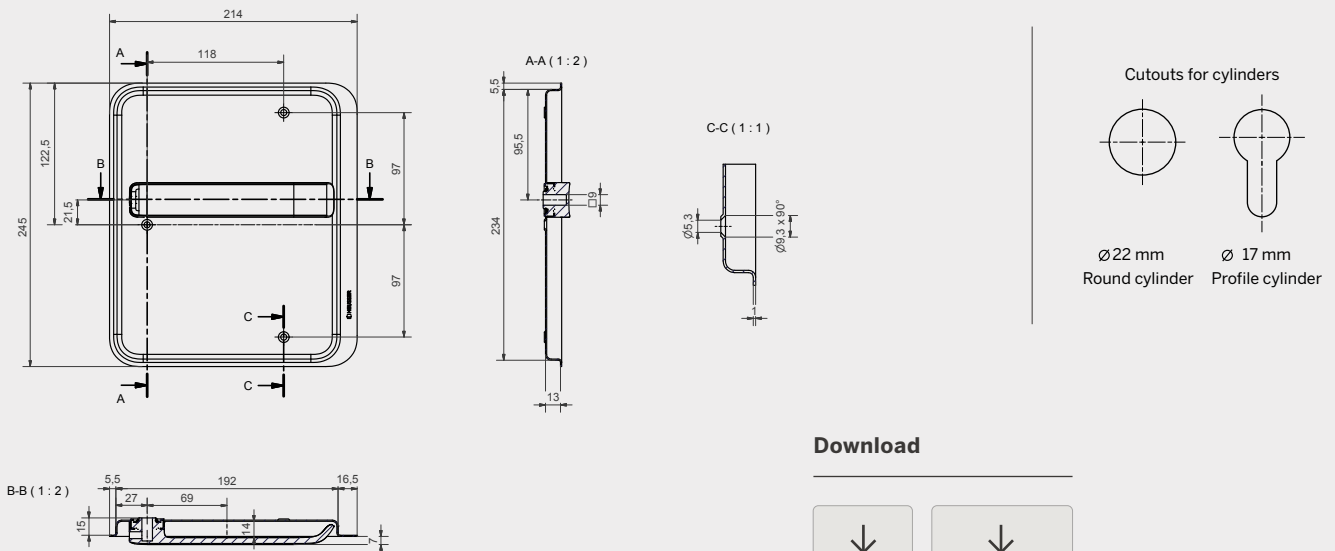
Spacing	S9.13.D3.0 blind S9.13.D3.2 RZ-74, 78, 94 mm S9.13.D3.3 PZ-72, 78, 88, 92 mm
Direction	Right/left

Accessories

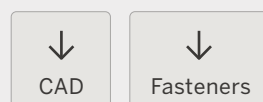
Screw set for opposite screwing.

Custom versions

Custom finishes are available in RAL, NCS, or metallic colors, painted or powder-coated. Additional options are available upon request.



Download



S9.13.D4 HEUSSER-Inset Lock

Tray depth 20 mm / overlap 31,5 mm



S9.13.D4 Handle right side



Purpose of use

For escape doors according to EN 179 suitable handle for pass doors and fire protection doors.

Design

Material	Stainless steel 1.4404 AISI 316L
Surface	Polished
Socket	9 mm
Handle	With hex screw Guide 16 mm Hex key included

Order details

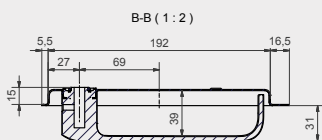
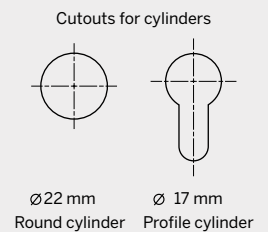
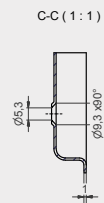
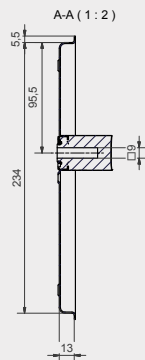
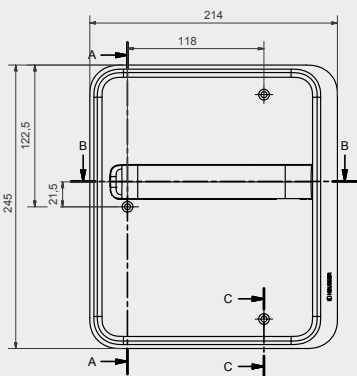
Spacing	S9.13.D4.0 blind S9.13.D4.2 RZ-74, 78, 94 mm S9.13.D4.3 PZ-72, 78, 88, 92 mm
Direction	Right/left

Accessories

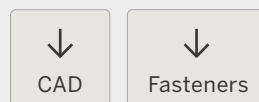
Screw set for opposite screwing.

Custom versions

Custom finishes are available in RAL, NCS, or metallic colors, painted or powder-coated. Additional options are available upon request.



Download



■ S6.42.D2 HEUSSER-Inset Lock

Tray depth 42 mm / overlap 7 mm



Purpose of use

For emergency doors according to EN 179 flush handle in sports halls, sliding doors, pass doors and fire safety doors.

Design

Material	Stainless steel 1.4404 AISI 316L
Surface	Polished
Socket	9 mm
Handle	With hex screw Guide 16 mm Hex key included

Order details

Spacing	S6.42.D2.0 blank S6.42.D2.2 RZ-74, 78, 94 mm S6.42.D2.3 PZ-72, 78, 88, 92 mm
Direction	Right/left

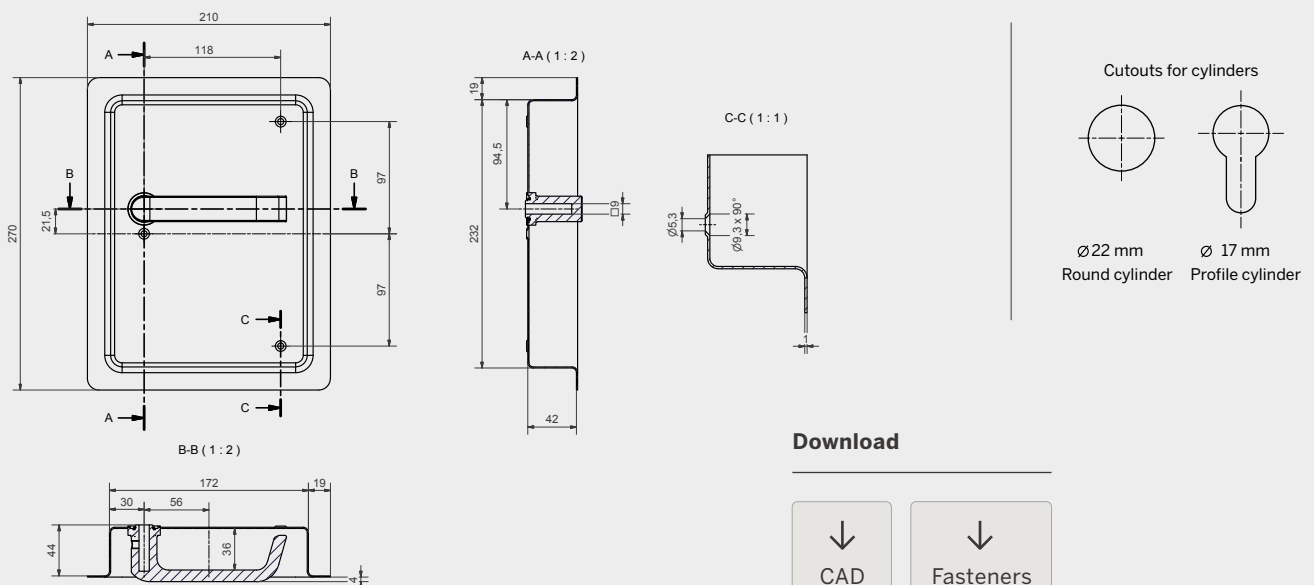
Accessories

Screw set for opposite screwing.

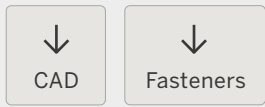
Custom versions

Custom finishes are available in RAL, NCS, or metallic colors, painted or powder-coated. Additional options are available upon request.

S6.42.D2 Handle right side



Download





S6.20.D2 HEUSSER-Inset Lock

Tray depth 20 mm / overlap 26 mm



Purpose of use

For escape doors according to EN 179 suitable handle for pass doors and fire protection doors.

Design

Material	Stainless steel 1.4404 AISI 316L
Surface	Polished
Socket	9 mm
Handle	With hex screw Guide 16 mm Hex key included

Order details

Spacing	S6.20.D2.0 blank S6.20.D2.2 RZ-74, 78, 94 mm S6.20.D2.3 PZ-72, 78, 88, 92 mm
Direction	Right/left

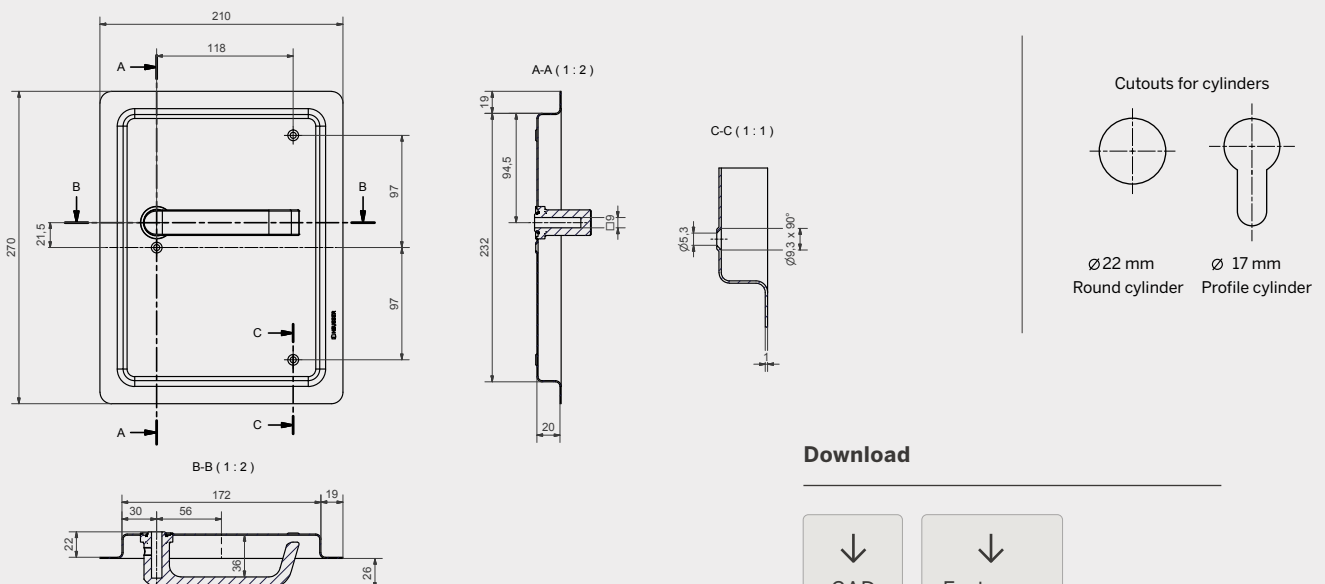
Accessories

Screw set for opposite screwing.

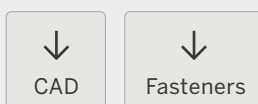
Custom versions

Custom finishes are available in RAL, NCS, or metallic colors, painted or powder-coated. Additional options are available upon request.

S6.20.D2 Handle right side



Download



■ S6.20.D1 HEUSSER-Inset Lock

Tray depth 20 mm / flush-mounted handle



S6.20.D1 Handle right side



Purpose of use

Flush flush-mounted handle in sports halls, sliding doors, pass doors and fire safety doors.
Not suitable for emergency exits in accordance with EN 179.

Design

Material	Stainless steel 1.4404 AISI 316L
Surface	polished
Socket	9 mm
Handle	With hex screw Guide 16 mm Hex key included

Order details

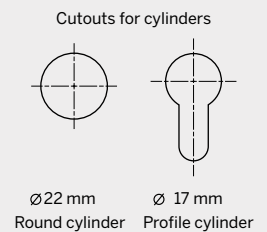
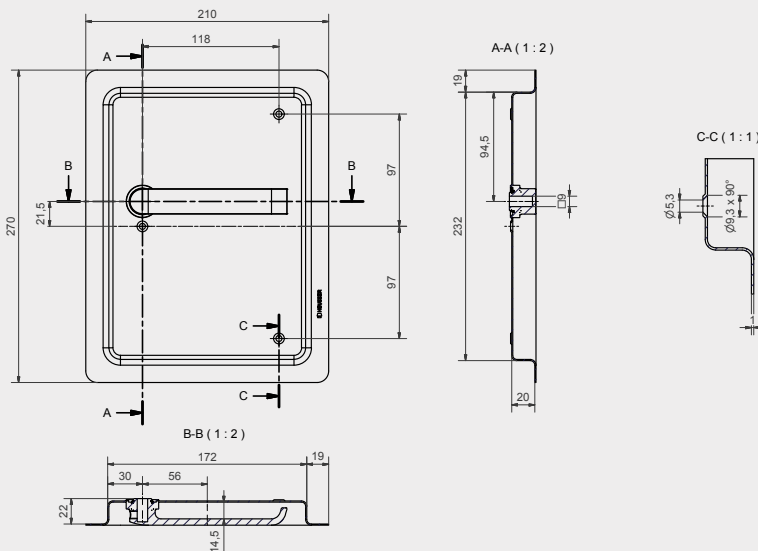
Spacing	S6.20.D1.0 blank S6.20.D1.2 RZ-74, 78, 94 mm S6.20.D1.3 PZ-72, 78, 88, 92 mm
Direction	Right/left

Accessories

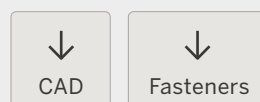
Screw set for opposite screwing.

Custom versions

Custom finishes are available in RAL, NCS, or metallic colors, painted or powder-coated.
Additional options are available upon request.



Download



S6.13.D2 HEUSSER-Inset Lock

Tray depth 13 mm / overlap 33 mm



Purpose of use

For escape doors according to EN 179 suitable handle for pass doors and fire protection doors.

Design

Material	Stainless steel 1.4404 AISI 316L
Surface	Polished
Socket	9 mm
Handle	With hex screw Guide 16 mm Hex key included

Order details

Spacing	S3.13.D2.0 blank S3.13.D2.2 RZ-74, 78, 94 mm S3.13.D2.3 PZ-72, 78, 88, 92 mm
Direction	Right/left

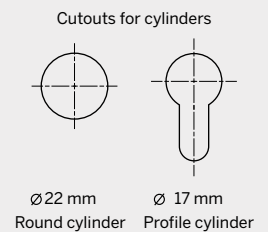
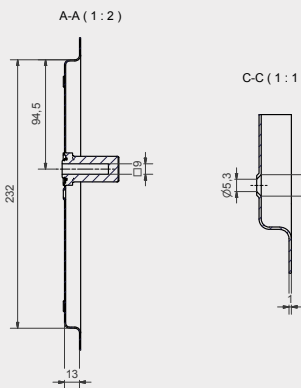
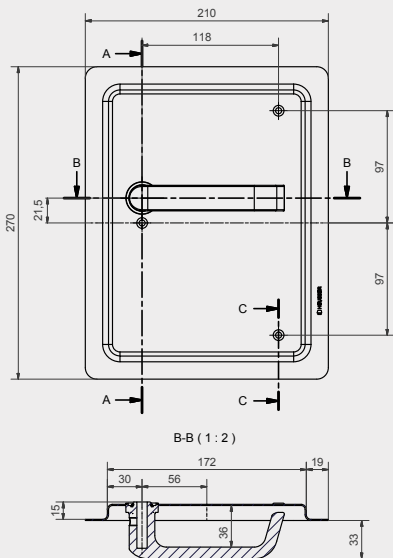
Accessories

Screw set for opposite screwing.

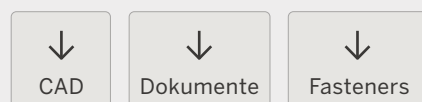
Custom versions

Custom finishes are available in RAL, NCS, or metallic colors, painted or powder-coated. Additional options are available upon request.

S6.13.D2 Handle right side



Download



■ S6.13.D1 HEUSSER-Inset Lock

Tray depth 13 mm / overlap 7 mm



Purpose of use

Handle in sports halls, sliding doors, pass doors and fire safety doors. Not suitable for emergency exits in accordance with EN 179.

Design

Material	Stainless steel 1.4404 AISI 316L
Surface	polished
Socket	9 mm
Handle	With hex screw Guide 16 mm Hex key included

Order details

Spacing	S3.13.D1.0 blank S3.13.D1.2 RZ-74, 78, 94 mm S3.13.D1.3 PZ-72, 78, 88, 92 mm
Direction	Right/left

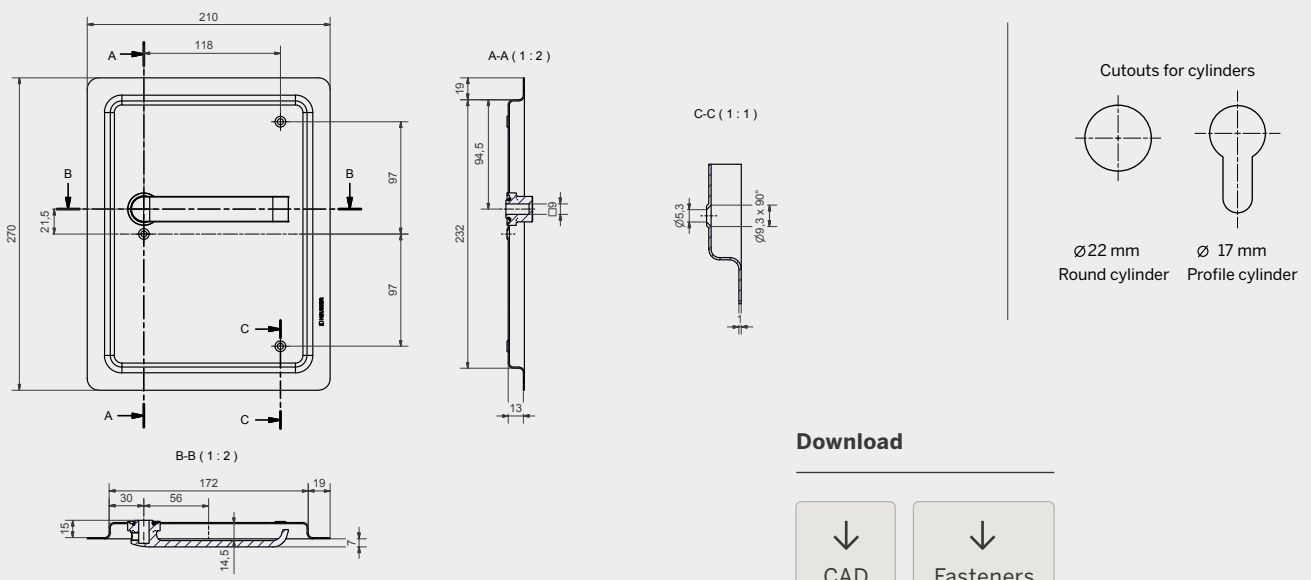
Accessories

Screw set for opposite screwing.

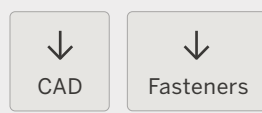
Custom versions

Custom finishes are available in RAL, NCS, or metallic colors, painted or powder-coated. Additional options are available upon request.

S6.13.D1 Handle right side



Download



S3.20.D2 HEUSSER-Inset Lock

Tray depth 20 mm / overlap 26 mm



S3.20.D2 Handle right side



Purpose of use

For escape doors according to EN 179 suitable handle for pass doors and fire protection doors.

Design

Material	Stainless steel 1.4404 AISI 316L
Surface	Polished
Socket	9 mm
Handle	With hex screw Guide 16 mm Hex key included

Order details

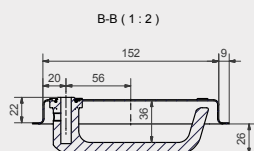
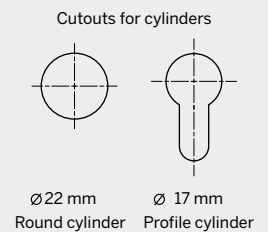
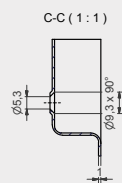
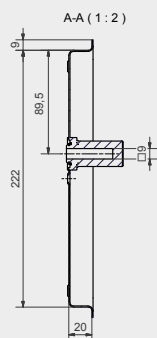
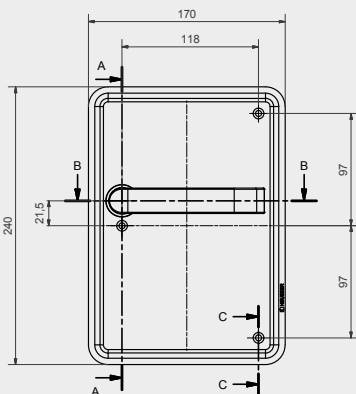
Spacing	S3.20.D2.0 blank S3.20.D2.2 RZ-74, 78, 94 mm S3.20.D2.3 PZ-72, 78, 88, 92 mm
Direction	Right/left

Accessories

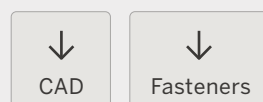
Screw set for opposite screwing.

Custom versions

Custom finishes are available in RAL, NCS, or metallic colors, painted or powder-coated. Additional options are available upon request.



Download



■ S3.20.D1 HEUSSER-Inset Lock

Tray depth 20 mm / flush-mounted handle



S3.20.D1 Handle right side



Purpose of use

Flush flush-mounted handle in sports halls, sliding doors, pass doors and fire safety doors. Not suitable for emergency exits in accordance with EN 179.

Design

Material	Stainless steel 1.4404 AISI 316L
Surface	polished
Socket	9 mm
Handle	With hex screw Guide 16 mm Hex key included

Order details

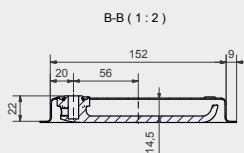
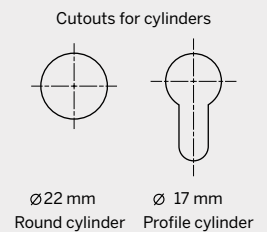
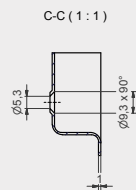
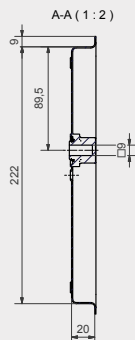
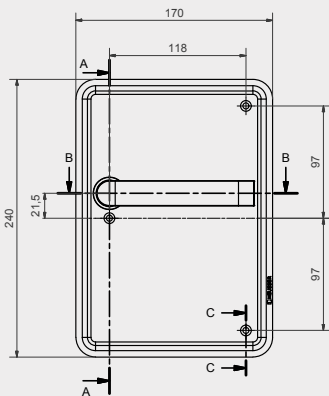
Spacing	S3.20.D1.0 blank S3.20.D1.2 RZ-74, 78, 94 mm S3.20.D1.3 PZ-72, 78, 88, 92 mm
Direction	Right/left

Accessories

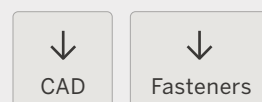
Screw set for opposite screwing.

Custom versions

Custom finishes are available in RAL, NCS, or metallic colors, painted or powder-coated. Additional options are available upon request.



Download



S3.13.D2 HEUSSER-Inset Lock

Tray depth 13 mm / overlap 33 mm



S3.13.D2 Handle right side



Purpose of use

For escape doors according to EN 179 suitable handle for pass doors and fire protection doors.

Design

Material	Stainless steel 1.4404 AISI 316L
Surface	Polished
Socket	9 mm
Handle	With hex screw Guide 16 mm Hex key included

Order details

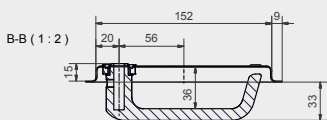
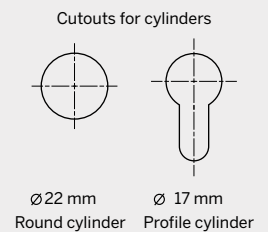
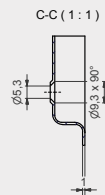
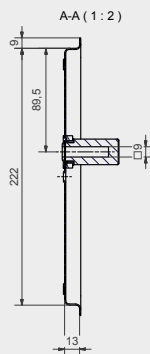
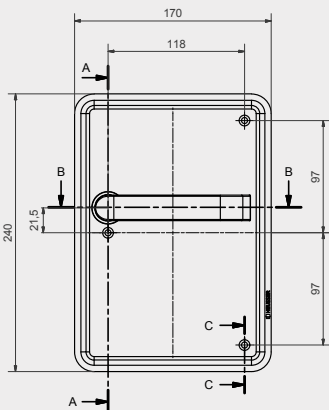
Spacing	S3.13.D2.0 blank S3.13.D2.2 RZ-74, 78, 94 mm S3.13.D2.3 PZ-72, 78, 88, 92 mm
Direction	Right/left

Accessories

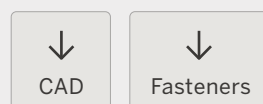
Screw set for opposite screwing.

Custom versions

Custom finishes are available in RAL, NCS, or metallic colors, painted or powder-coated. Additional options are available upon request.



Download



S3.13.D1 HEUSSER-Inset Lock

Tray depth 13 mm / overlap 7 mm



S3.13.D1 Handle right side



Purpose of use

Handle in sports halls, sliding doors, pass doors and fire safety doors. Not suitable for emergency exits in accordance with EN 179.

Design

Material	Stainless steel 1.4404 AISI 316L
Surface	Polished
Socket	9 mm
Handle	With hex screw Guide 16 mm Hex key included

Order details

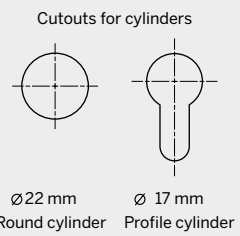
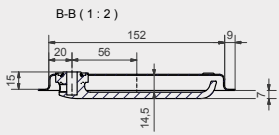
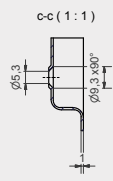
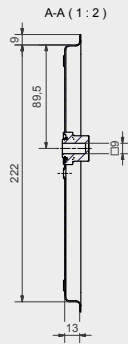
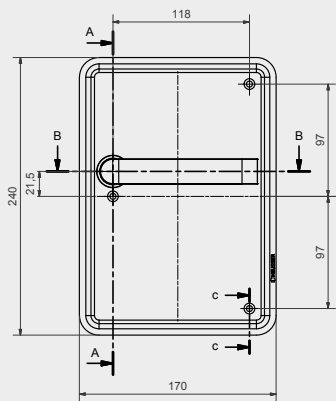
Spacing	S3.13.D1.0 blank S3.13.D1.2 RZ-74, 78, 94 mm S3.13.D1.3 PZ-72, 78, 88, 92 mm
Direction	Right/left

Accessories

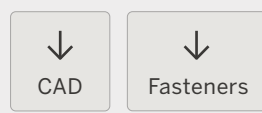
Screw set for opposite screwing.

Custom versions

Custom finishes are available in RAL, NCS, or metallic colors, painted or powder-coated. Additional options are available upon request.



Download



■ S1.0.D1 HEUSSER-Inset Lock Overlap 20 mm



S1.0.D1 Handle right side



Purpose of use

Shield with handle for emergency exit doors doors for invisible mutual screwing with all Heusser insert locks in pass doors and fire protection doors. Not suitable for emergency exits in accordance with EN 179.

Design

Material	Stainless steel 1.4404 AISI 316L
Surface	Polished
Socket	9 mm
Handle	With hex screw Guide 16 mm Hex key included

Order details

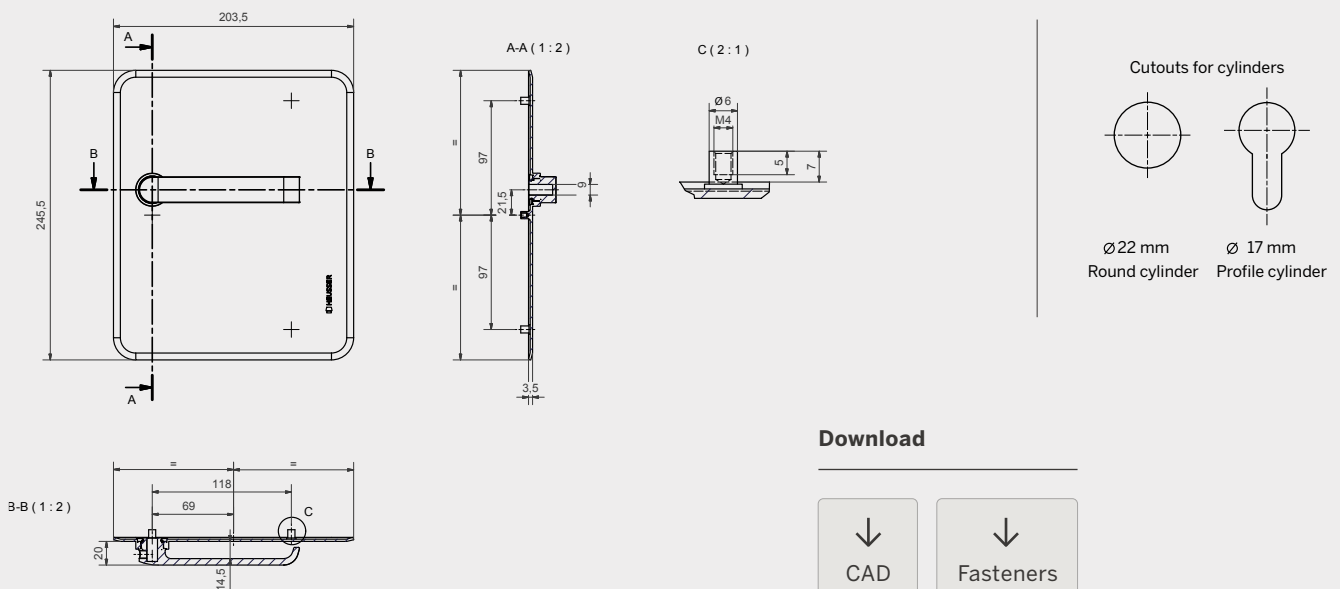
Spacing	S1.0.D1.0 blank S1.0.D1.2 RZ-74, 78, 94 mm S1.0.D1.3 PZ-72, 78, 88, 92 mm
Direction	Right/left

Accessories

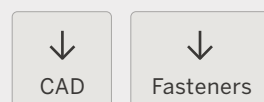
Screw set for opposite screwing.

Custom versions

Custom finishes are available in RAL, NCS, or metallic colors, painted or powder-coated. Additional options are available upon request.



Download



S1.0.D2 HEUSSER-Inset Lock

Overlap 46 mm



S1.0.D2 Handle right side



Purpose of use

Shield with handle for emergency exit doors according to EN 179 for invisible mutual screwing with all Heusser inset locks in pass doors and fire protection doors.

Design

Material	Stainless steel 1.4404 AISI 316L
Surface	Polished
Socket	9 mm
Handle	With hex screw Guide 16 mm Hex key included

Order details

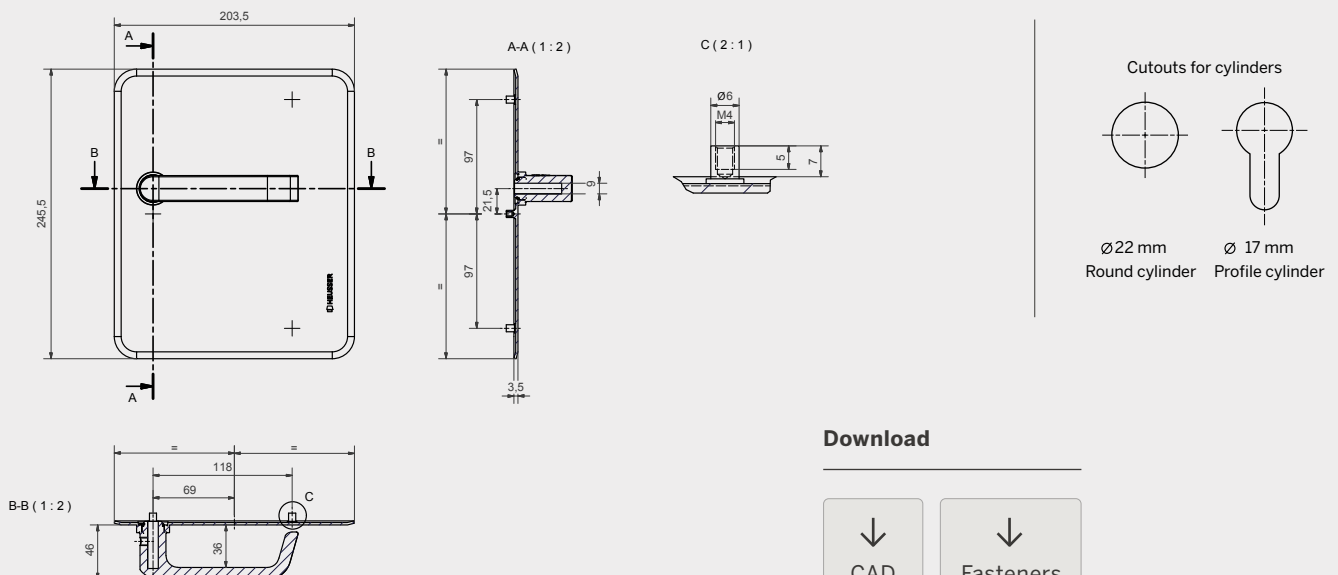
Spacing	S1.0.D2.0 blank S1.0.D2.2 RZ-74, 78, 94 mm S1.0.D2.3 PZ-72, 78, 88, 92 mm
Direction	Right/left

Accessories

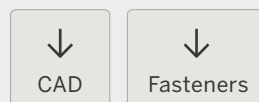
Screw set for opposite screwing.

Custom versions

Custom finishes are available in RAL, NCS, or metallic colors, painted or powder-coated. Additional options are available upon request.



Download



S1.0.D3 HEUSSER-Inset Lock

Overlap 20 mm



S1.0.D3 Handle right side



Purpose of use

Shield with handle for emergency exit doors doors for invisible mutual screwing with all Heusser insert locks in pass doors and fire protection doors. Not suitable for emergency exits in accordance with EN 179.

Design

Material	Stainless steel 1.4404 AISI 316L
Surface	Polished
Socket	9 mm
Handle	With hex screw Guide 16 mm Hex key included

Order details

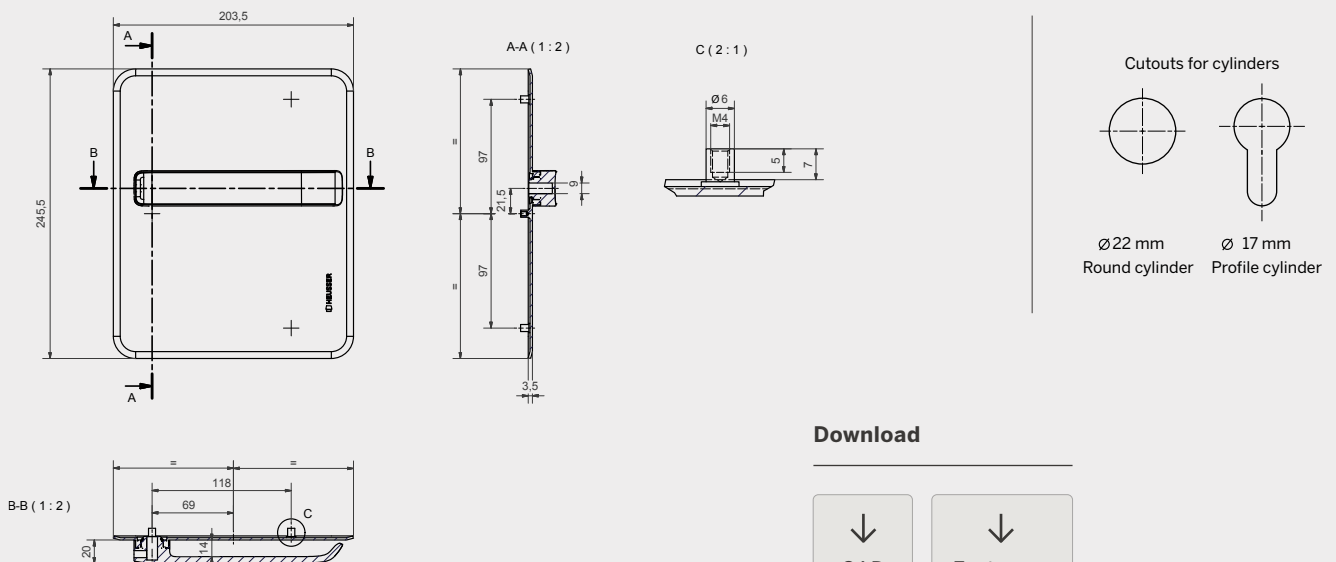
Spacing	S1.0.D3.0 blank S1.0.D3.2 RZ-74, 78, 94 mm S1.0.D3.3 PZ-72, 78, 88, 92 mm
Direction	Right/left

Accessories

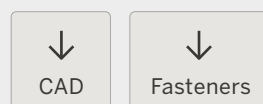
Screw set for opposite screwing.

Custom versions

Custom finishes are available in RAL, NCS, or metallic colors, painted or powder-coated. Additional options are available upon request.



Download



S1.0.D4 HEUSSER-Inset Lock

Overlap 44,5 mm



S1.0.D4 Handle right side



Purpose of use

Shield with handle for emergency exit doors according to EN 179 for invisible mutual screwing with all Heusser inset locks in pass doors and fire protection doors.

Design

Material	Stainless steel 1.4404 AISI 316L
Surface	Polished
Socket	9 mm
Handle	With hex screw Guide 16 mm Hex key included

Order details

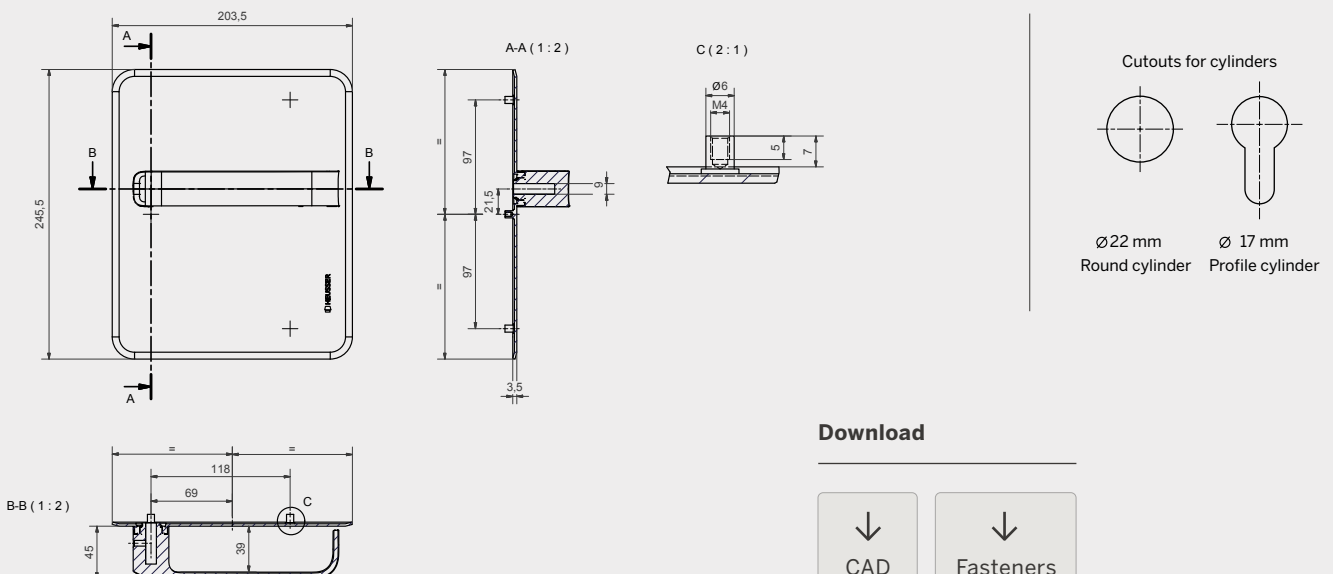
Spacing	S1.0.D4.0 blank S1.0.D4.2 RZ-74, 78, 94 mm S1.0.D4.3 PZ-72, 78, 88, 92 mm
Direction	Right/left

Accessories

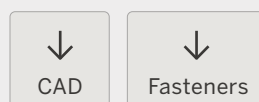
Screw set for opposite screwing.

Custom versions

Custom finishes are available in RAL, NCS, or metallic colors, painted or powder-coated. Additional options are available upon request.



Download



■ S1.0.D7 HEUSSER-Inset Lock Overlap 57 mm



S1.0.D7 Handle right side



Purpose of use

Shield with handle for emergency exit doors according to EN 179, for concealed, mutual screw fixing with all Heusser recessed handles. Suitable, among other things, for doors in corridors, toilets, cloakrooms and utility rooms. Formally compatible with standard lever handles.

Design

Material	Stainless steel 1.4404 AISI 316L
Surface	Polished
Socket	9 mm
Handle	With hex screw Guide 16 mm Hex key included

Order details

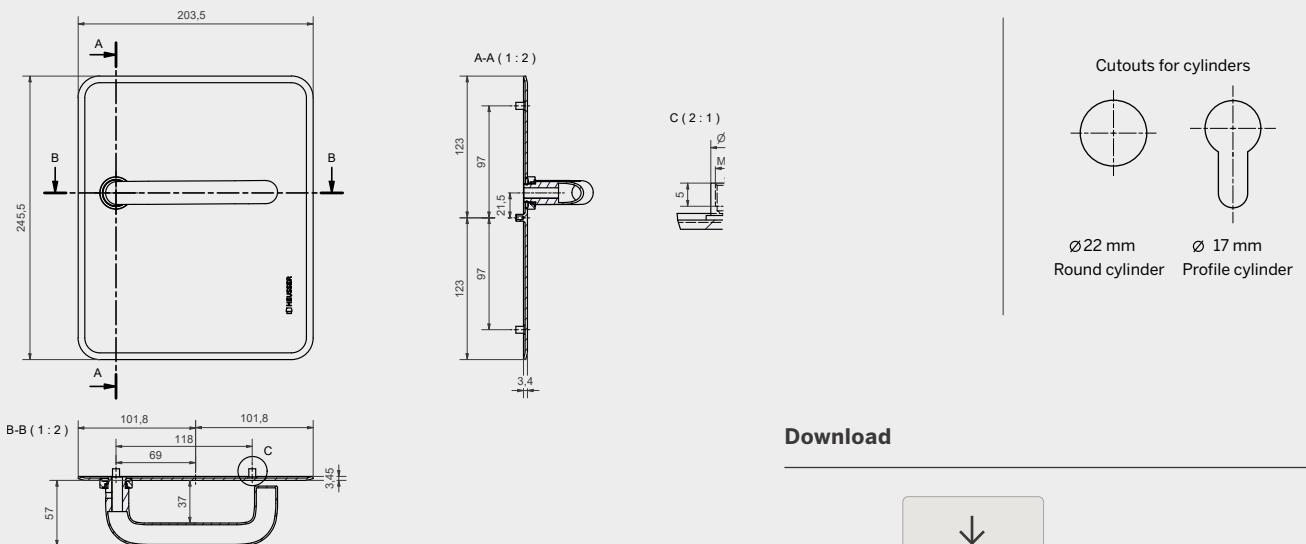
Spacing	S1.0.D7.0 blank S1.0.D7.2 RZ-74, 78, 94 mm S1.0.D7.3 PZ-72, 78, 88, 92 mm
Direction	Right/left

Accessories

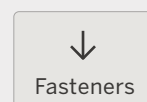
Screw set for opposite screwing.

Custom versions

Custom finishes are available in RAL, NCS, or metallic colors, painted or powder-coated. Additional options are available upon request.



Download



■ D7 Handle

Overlap 57 mm



D7 Handle



*in combination with Heusser-Inset Lock and Heusser shield

Purpose of use

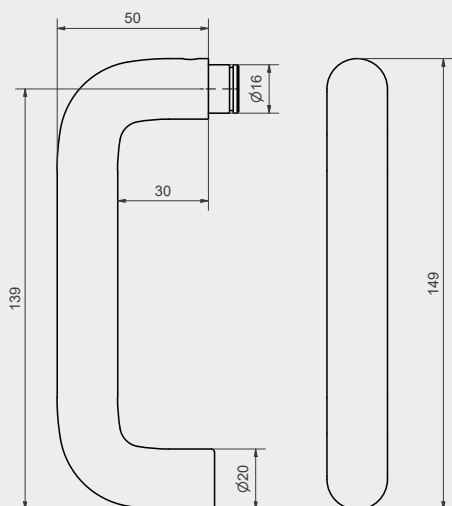
Standard handle, e.g., for hallway, bathroom, cloakroom, and utility room doors. Shape-compatible with standard commercially available lever handles. Ergonomically designed to minimize the risk of injury.

Standard version

Material	Stainless steel 1.4404 AISI 316L
Surface	Polished
Square	9 mm
Guide	16 mm
Direction	Indication right/left

Custom versions

Custom finishes are available in RAL, NCS, or metallic colors, painted or powder-coated. Additional options are available upon request.



D1 Handle

Overlap 20 mm



D1 Handle



Purpose of use

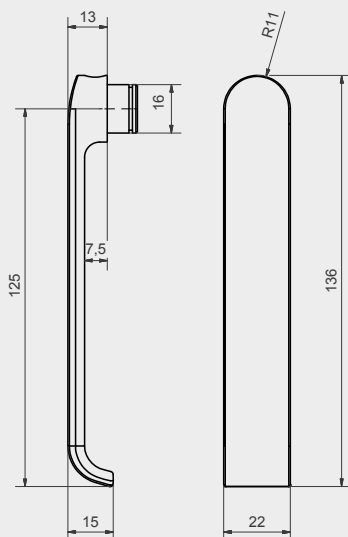
Handle with small radius for areas where the handle should not protrude too much.

Standard version

Material	Stainless steel 1.4404 AISI 316L
Surface	Polished
Square	9 mm
Guide	16 mm
Direction	Indication right/left

Custom versions

Custom finishes are available in RAL, NCS, or metallic colors, painted or powder-coated. Additional options are available upon request.



D2 Handle

Overlap 46 mm



Purpose of use

Handle for doors in passageways and fire compartment doors.

Standard version

Material	Stainless steel 1.4404 AISI 316L
Surface	Polished
Square	9 mm
Guide	16 mm
Direction	Indication right/left

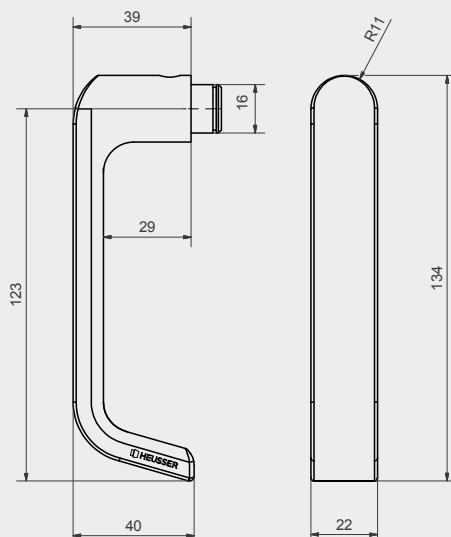
Custom versions

Custom finishes are available in RAL, NCS, or metallic colors, painted or powder-coated. Additional options are available upon request.

D2 Handle



*in combination with Heusser-Inset Lock and Heusser shield



■ D3 Handle

Overlap 20 mm



Purpose of use

Handle with small radius for areas where the handle should not protrude too much.

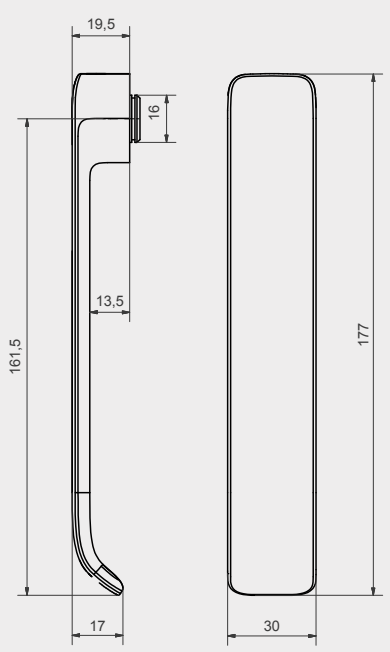
Standard version

Material	Stainless steel 1.4404 AISI 316L
Surface	Polished
Square	9 mm
Guide	16 mm
Direction	Indication right/left

Custom versions

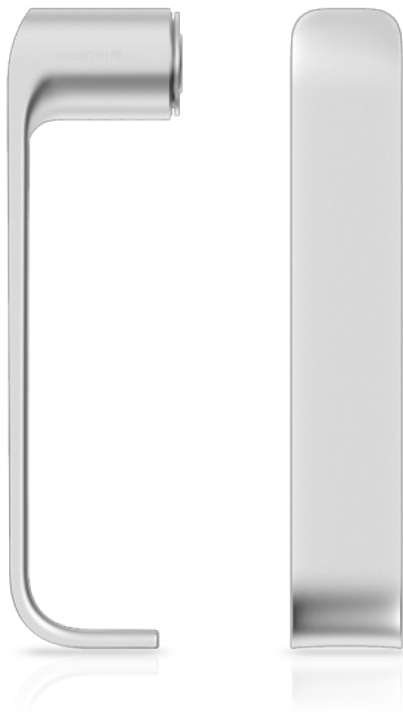
Custom finishes are available in RAL, NCS, or metallic colors, painted or powder-coated. Additional options are available upon request.

D3 Handle



■ D4 Handle

Overlap 44,5 mm



Purpose of use

Handle for doors in passageways and fire compartment doors.

Standard version

Material	Stainless steel 1.4404 AISI 316L
Surface	Polished
Square	9 mm
Guide	16 mm
Direction	Indication right/left

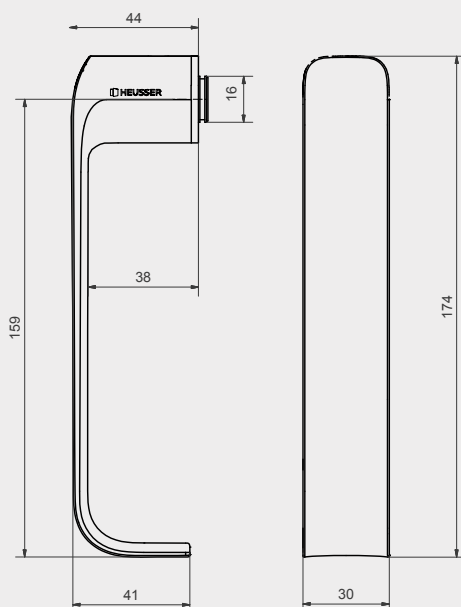
Custom versions

Custom finishes are available in RAL, NCS, or metallic colors, painted or powder-coated. Additional options are available upon request.

D4 Handle



*in combination with Heusser-Inset Lock and Heusser shield





■ HEUSSER-Inset Lock Serie 9 U-handle



S9.42.D6

Tray depth: 42 mm
Handle overlap: 0 mm



S9.20.D6

Tray depth: 20 mm
Handle overlap: 22 mm



S9.13.D6

Tray depth: 13 mm
Handle overlap: 29 mm

■ HEUSSER-Inset Lock Serie 6 U-handle



S6.42.D6

Tray depth: 42 mm
Handle overlap: 0 mm



S6.20.D6

Tray depth: 20 mm
Handle overlap: 22 mm



S6.13.D6

Tray depth: 13 mm
Handle overlap: 29 mm

■ HEUSSER-Inset Lock Serie 3 U-handle



S3.20.D6

Tray depth: 20 mm
Handle overlap: 22 mm



S3.13.D6

Tray depth: 13 mm
Handle overlap: 29 mm



S1.0.D6

Tray depth: 42 mm



flush-mounted handle

S9.42.D6 HEUSSER-Inset Lock

Tray depth 42 mm / flush-mounted handle



Purpose of use

Flush mounted U- handle for sports halls, sliding doors, pass doors and fire safety doors. Shallow installation depth in the lock area thanks to the two-stage design.

Design

Material	Stainless steel 1.4404 AISI 316L
Surface	Polished
U-handle	Build in

Order details

Spacing	S9.42.D6.0 blank
	S9.42.D6.2 RZ-74, 78, 94 mm
	S9.42.D6.3 PZ-72, 78, 88, 92 mm
Direction	Right/left

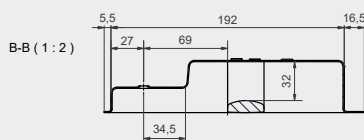
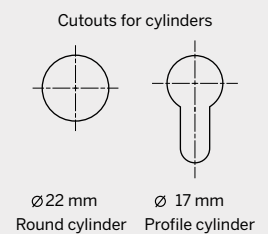
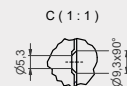
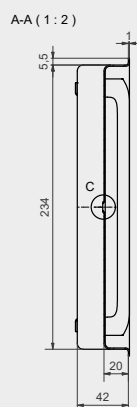
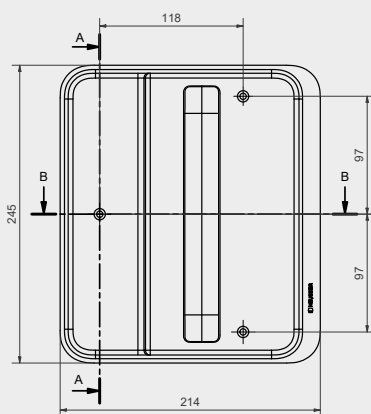
Accessories

Screw set for opposite screwing.

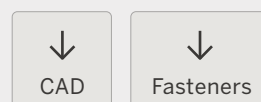
Custom versions

Custom finishes are available in RAL, NCS, or metallic colors, painted or powder-coated. Additional options are available upon request.

S9.42.D6 U-handle right side



Download



■ S9.20.D6 HEUSSER-Inset Lock

Tray depth 20 mm / overlap 22 mm



S9.20.D6 U-handle right side



Purpose of use

Handle in sports halls, sliding doors, pass doors and fire safety doors

Design

Material	Stainless steel 1.4404 AISI 316L
Surface	Polished
U-handle	Build in

Order details

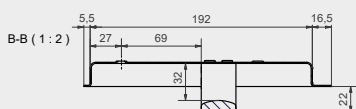
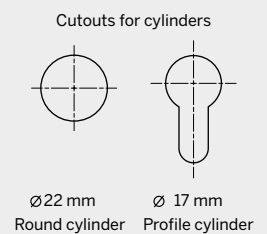
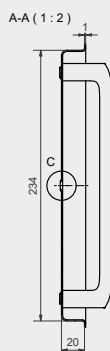
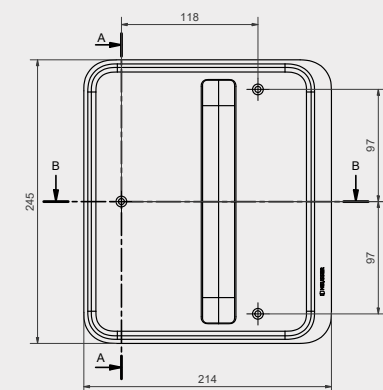
Spacing	S9.20.D6.0 blank
	S9.20.D6.2 RZ-74, 78, 94 mm
	S9.20.D6.3 PZ-72, 78, 88, 92 mm
Direction	Right/left

Accessories

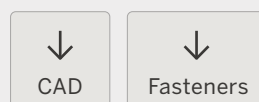
Screw set for opposite screwing.

Custom versions

Custom finishes are available in RAL, NCS, or metallic colors, painted or powder-coated. Additional options are available upon request.



Download



S9.13.D6 HEUSSER-Inset Lock

Tray depth 13 mm / overlap 29 mm



S9.13.D6 U-handle right side



Purpose of use

Handle in sports halls, sliding doors, pass doors and fire safety doors

Design

Material	Stainless steel 1.4404 AISI 316L
Surface	Polished
U-handle	Build in

Order details

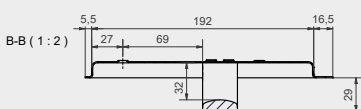
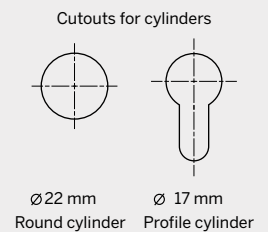
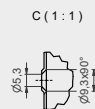
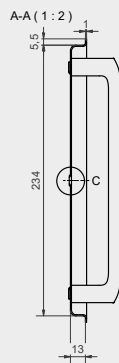
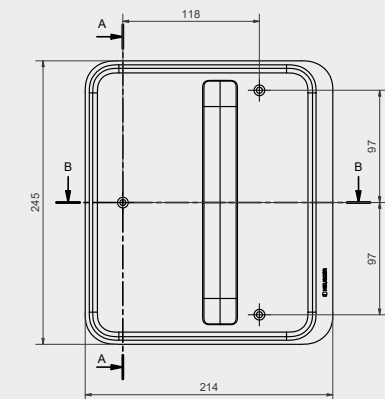
Spacing	S9.13.D6.0 blank
	S9.13.D6.2 RZ-74, 78, 94 mm
	S9.13.D6.3 PZ-72, 78, 88, 92 mm
Direction	Right/left

Accessories

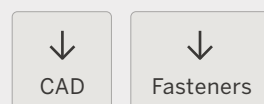
Screw set for opposite screwing.

Custom versions

Custom finishes are available in RAL, NCS, or metallic colors, painted or powder-coated. Additional options are available upon request.



Download



■ S6.42.D6 HEUSSER-Inset Lock

Tray depth 42 mm / flush-mounted handle



S6.42.D6 U-handle right side



Verwendungszweck

Flush mounted U- handle for sports halls, sliding doors, pass doors and fire safety doors.

Design

Material	Stainless steel 1.4404 AISI 316L
Surface	Polished
U-handle	Build in

Order details

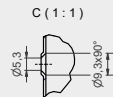
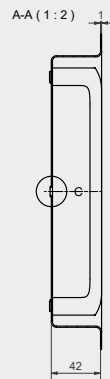
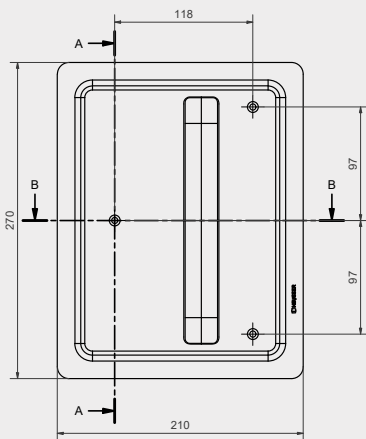
Spacing	S6.42.D6.0 blank S6.42.D6.2 RZ-74, 78, 94 mm S6.42.D6.3 PZ-72, 78, 88, 92 mm
Direction	Right/left

Accessories

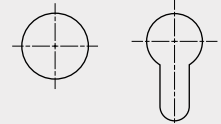
Screw set for opposite screwing.

Custom versions

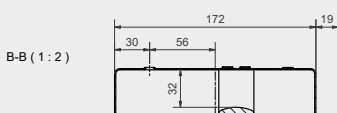
Custom finishes are available in RAL, NCS, or metallic colors, painted or powder-coated. Additional options are available upon request.



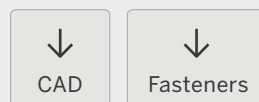
Cutouts for cylinders



Ø 22 mm Round cylinder Ø 17 mm Profile cylinder



Download



S6.20.D6 HEUSSER -Inset Lock

Tray depth 20 mm / overlap 22 mm



S6.20.D6 U-handle right side



Purpose of use

Handle in sports halls, sliding doors, pass doors and fire safety doors

Design

Material	Stainless steel 1.4404 AISI 316L
Surface	Polished
U-handle	Build in

Order details

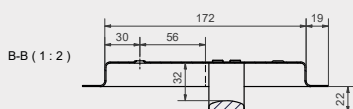
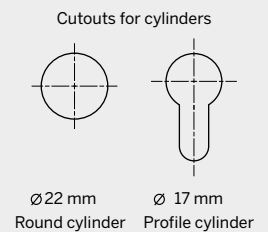
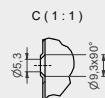
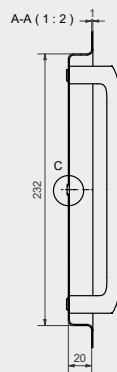
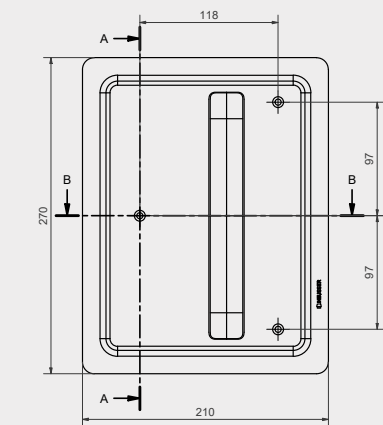
Spacing	S6.20.D6.0 blank S6.20.D6.2 RZ-74, 78, 94 mm S6.20.D6.3 PZ-72, 78, 88, 92 mm
Direction	Right/left

Accessories

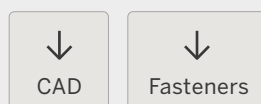
Screw set for opposite screwing.

Custom versions

Custom finishes are available in RAL, NCS, or metallic colors, painted or powder-coated. Additional options are available upon request.



Download



■ S6.13.D6 HEUSSER-Inset Lock

Tray depth 13 mm / overlap 29 mm



S6.13.D6 U-handle right side



Purpose of use

Handle in sports halls, sliding doors, pass doors and fire safety doors

Design

Material	Stainless steel 1.4404 AISI 316L
Surface	Polished
U-handle	Build in

Order details

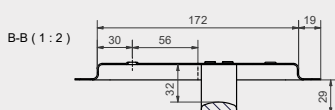
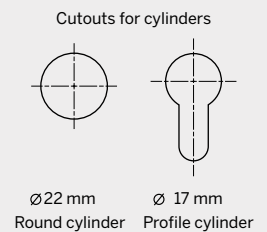
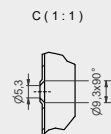
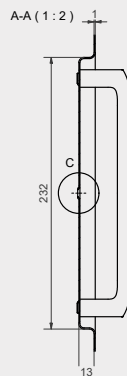
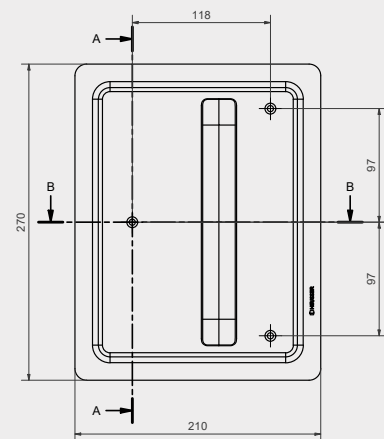
Spacing	S6.13.D6.0 blank
	S6.13.D6.2 RZ-74, 78, 94 mm
	S6.13.D6.3 PZ-72, 78, 88, 92 mm
Direction	Right/left

Accessories

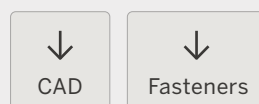
Screw set for opposite screwing.

Custom versions

Custom finishes are available in RAL, NCS, or metallic colors, painted or powder-coated. Additional options are available upon request.



Download



■ S3.20.D6 HEUSSER-Inset Lock

Tray depth 20 mm / overlap 22 mm



S3.20.D6 U-handle right side



Purpose of use

Handle in sports halls, sliding doors, pass doors and fire safety doors

Design

Material	Stainless steel 1.4404 AISI 316L
Surface	Polished
U-handle	Build in

Order details

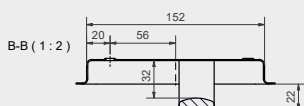
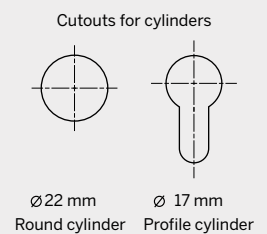
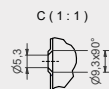
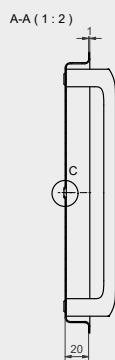
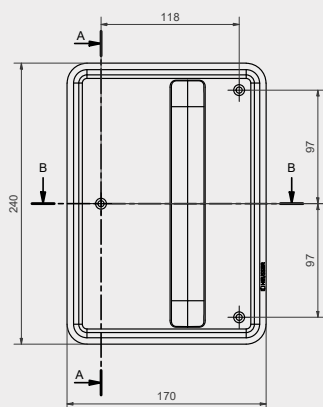
Spacing	S3.20.D6.0 blank
	S3.20.D6.2 RZ-74, 78, 94 mm
	S3.20.D6.3 PZ-72, 78, 88, 92 mm
Direction	Right/left

Accessories

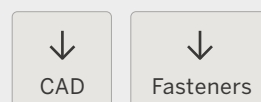
Screw set for opposite screwing.

Custom versions

Custom finishes are available in RAL, NCS, or metallic colors, painted or powder-coated. Additional options are available upon request.



Download



S3.13.D6 HEUSSER-Inset Lock

Tray depth 13 mm / overlap 29 mm



Purpose of use

Handle in sports halls, sliding doors, pass doors and fire safety doors

Design

Material	Stainless steel 1.4404 AISI 316L
Surface	Polished
U-handle	Build in

Order details

Spacing	S3.13.D6.0 blank
	S3.13.D6.2 RZ-74, 78, 94 mm
	S3.13.D6.3 PZ-72, 78, 88, 92 mm
Direction	Right/left

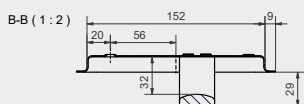
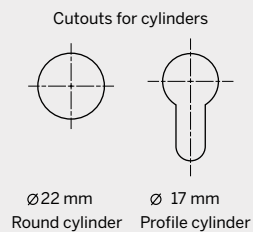
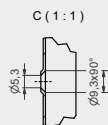
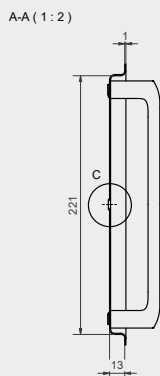
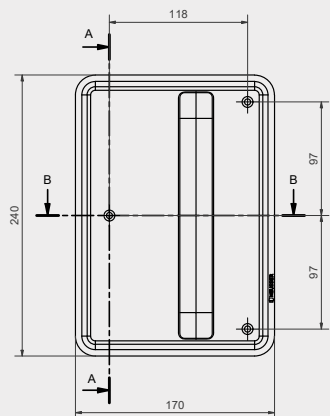
Accessories

Screw set for opposite screwing.

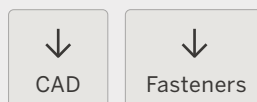
Custom versions

Custom finishes are available in RAL, NCS, or metallic colors, painted or powder-coated. Additional options are available upon request.

S3.13.D6 U-handle right side



Download



S1.0.D6 HEUSSER-Inset Lock

Overlap 42 mm



S1.0.D6 U-handle right side



Purpose of use

Shield with handle for emergency exit doors for invisible mutual screwing with all Heusser insert locks in pass doors and fire protection doors.

Design

Material	Stainless steel 1.4404 AISI 316L
Surface	Polished
U-handle	Build in

Order details

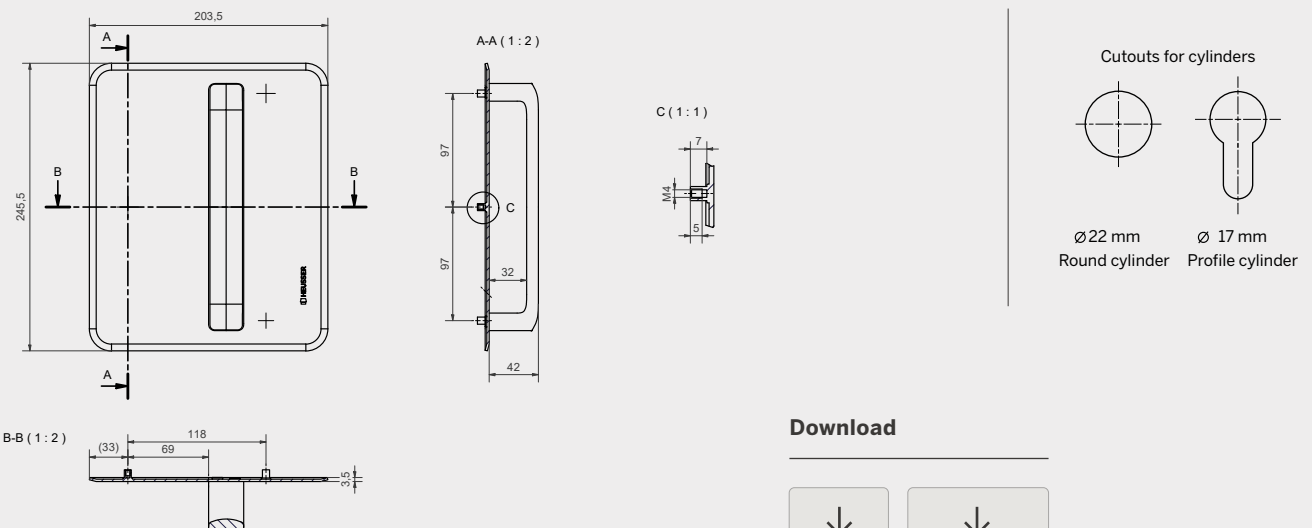
Spacing	S1.0.D6.0 blank
	S1.0.D6.2 RZ-74, 78, 94 mm
	S1.0.D6.3 PZ-72, 78, 88, 92 mm
Direction	Right/left

Accessories

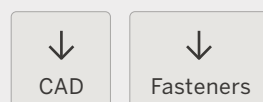
Screw set for opposite screwing.

Custom versions

Custom finishes are available in RAL, NCS, or metallic colors, painted or powder-coated. Additional options are available upon request.



Download



■ D6 U-handle

Overlap 42 mm



Purpose of use

U-handle sliding doors, pass doors and fire safety doors

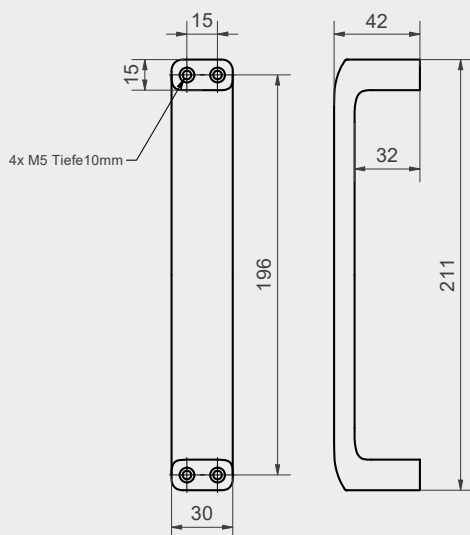
Design

Material Stainless steel 1.4404 | AISI 316L
Surface Polished

Custom versions

Custom finishes are available in RAL, NCS, or metallic colors, painted or powder-coated. Additional options are available upon request.

D6 U-handle



■ ATS53T90 / ATS60T90 Latch



ATS53T90



ATS60T90

ATS53T90 / ATS60T90 latch

Replacement part with adjustable latch for perfect closing of the door.
Suitable as a replacement for electric door openers.

Suitable for use in fire safety doors.

Material Zinc-plated steel

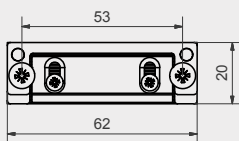
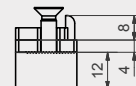
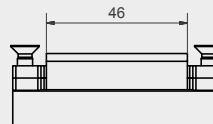
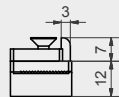
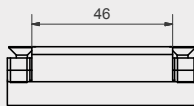


ATS53T90 / ATS60T90 latch

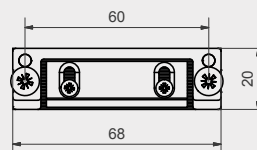
Replacement part with adjustable latch for perfect closing of the door.
Suitable as a replacement for electric door openers.

Suitable for use in fire safety doors.

Material Zinc-plated steel



ATS53T90



ATS60T90

■ B1250.653 / B1250.653SM

Hinge safety catch



B1250.653

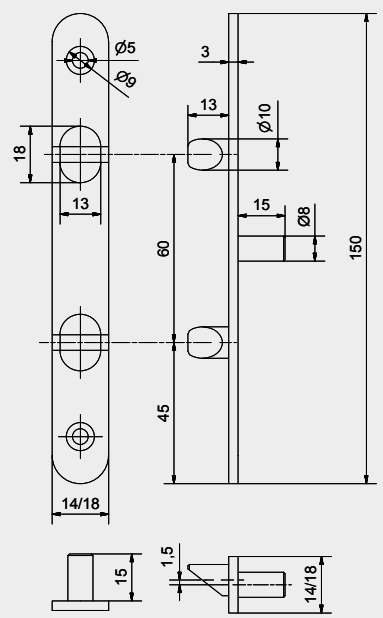
B1250.653SM

Purpose of use

For anti-theft external doors

Design

Material	Steel
Surface	Zinc-plated black matt powder-coated (B1250.653SM)
Set	1 x pin + 1 hole black matt finish including fixing screw
Width	14 mm or 18 mm
Assembly	Pin in door panel Pin slope towards fire



B1250.653

■ B1250.655 / B1250.656 / B1250.656SM

RC3 hinge safety catch



B1250.655



B1250.656



B1250.656SM

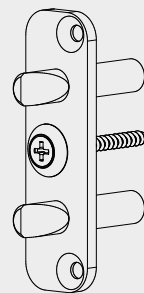
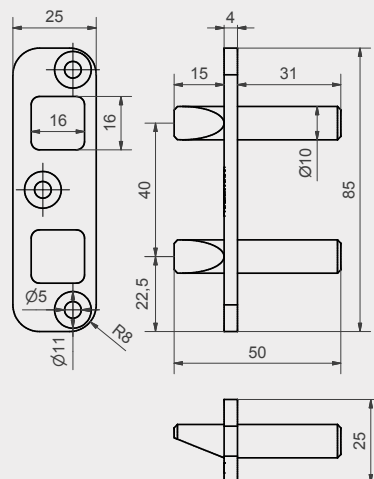
Purpose of use

For anti-theft external doors in accordance with SN EN 1627, tested in accordance with RC3

Design

Material	Zinc-plated steel (B1250.655) Stainless steel, matt (B1250.656) Stainless steel, black matt
Set	1 x pin + 1 hole 6 x SK securing screws 4.5 x 50 mm 2 spacers 2.8 mm / 3.3 mm
Assembly	Pin in door panel Pin slope towards fire

Tested in accordance with SN EN 1628, 1629, 1630 VSSM test report no. 9211-PB



Verwendung Distanzhalter

B1250.655/656/656SM



2320

Purpose of use

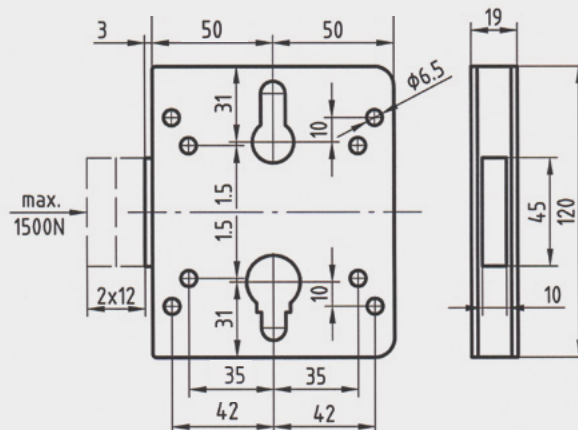
Deadlock for the chemical and food industries, electrical distribution cabinets and technical buildings

Standard version

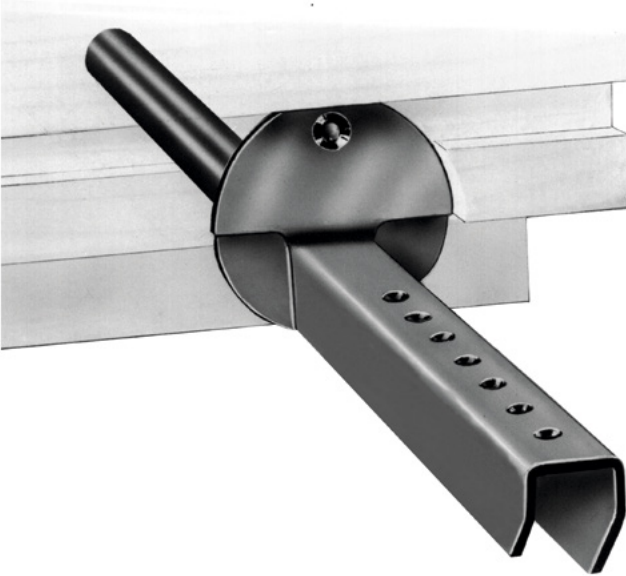
Material	Stainless steel V2A 1.4301 /plastic
Bolt dimensions	50 mm
Direction	Can be used without migration left or right
Hole	For round (RZ/Ø22) or profile cylinders (PZ/EURO)
Can be integrated into lock system	

Special versions

Material	Stainless steel V4A 1.4404 / Plastic
----------	--------------------------------------



8301 ELATO-3-bracket



8301

Purpose of use

Bracket for windowsills and shelves

Standard version

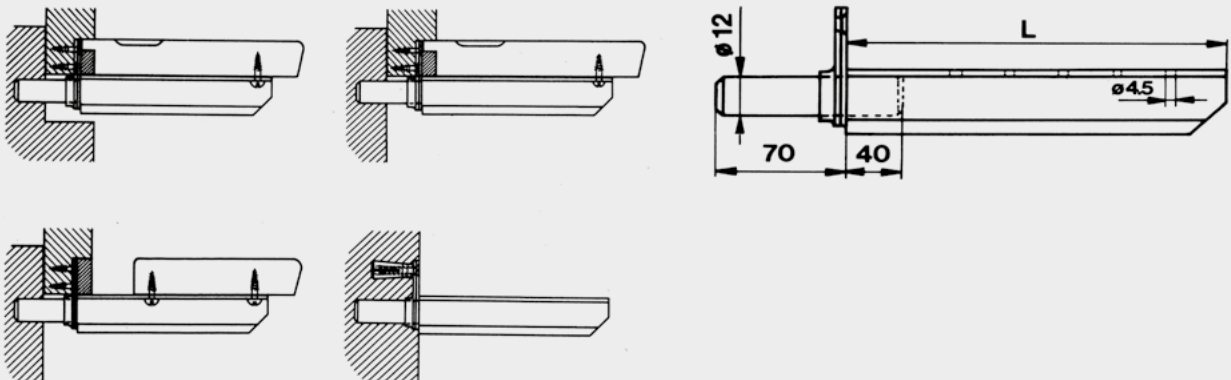
Bracket (U-shape with supporting bolts and screw plate \varnothing 45 mm)
Steel, zinc-plated blue

Product no. Length L

8301-9	9 cm
8301-12	12 cm
8301-15	15 cm
8301-18	18 cm
8301-21	21 cm
8301-24	24 cm

Special versions

Other pin lengths \varnothing 12 mm



Exemples de montage

8302

Spacer plate



8302A



8302B

Purpose of use

Spacer for shifting, balancing, underlaying and bridging in wooden and metal constructions.

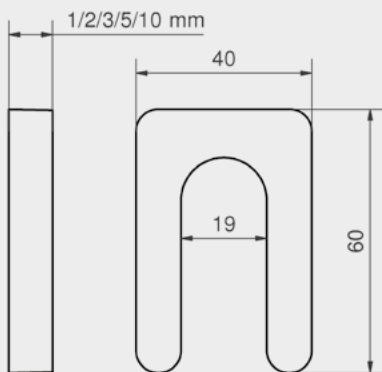
Standard version

White polystyrene in two sizes with 5 plate thicknesses each.

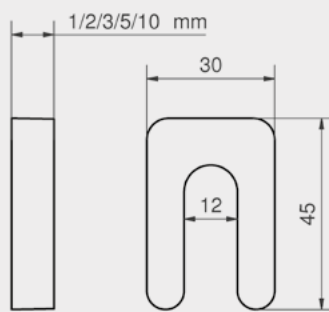
Product no.	Measure	Thickness
8302AW01	40 × 60 mm	1 mm
8302AW02	40 × 60 mm	2 mm
8302AW03	40 × 60 mm	3 mm
8302AW05	40 × 60 mm	5 mm
8302AW10	40 × 60 mm	10 mm
8302BW01	30 × 45 mm	1 mm
8302BW02	30 × 45 mm	2 mm
8302BW03	30 × 45 mm	3 mm
8302BW05	30 × 45 mm	5 mm
8302BW10	30 × 45 mm	10 mm



Example of use



8302A



8302B

8303 INOX

Spacer plate



8303B

Purpose of use

Spacer for shifting, balancing, underlaying and bridging in wooden and metal constructions in areas of high traffic and for fire safety use

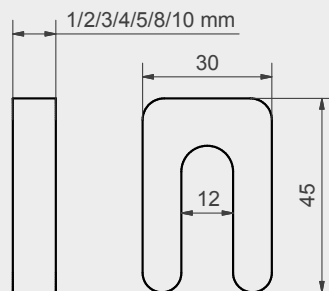
Standard version

Stainless steel in 7 plate thicknesses.

Product no.	Measure	Thick-ness
8303B01	30 × 45 mm	1 mm
8303B02	30 × 45 mm	2 mm
8303B03	30 × 45 mm	3 mm
8303B04	30 × 45 mm	4 mm
8303B05	30 × 45 mm	5 mm
8302B08	30 × 45 mm	8 mm
8302B10	30 × 45 mm	10 mm



Example of use



■ Fire safety

Door fittings, hinge safety catches, fire safety hinges

Fire-tested doors are tested in a fire laboratory as elements with suitable fittings. Our inset locks are completely made from stainless steel and pass all fire safety tests. The S6.42.D2 and S9.42.D3 models have also been tested and approved with locks from various manufacturers for emergency exits in accordance with EN 179.

Our hinge safety catches can reduce the burden on door hinges in the case of fire. Fire can exercise great pressure on one side of the door, leading to deformation of the hinges. The hinge safety catches in the door panel stabilise the doors and prevent excess deformation of the hinges. This means that fire safety doors can withstand fire for longer.

Fire safety has also become more important in furniture over the last 10 years. In large buildings, fire safety-checked riser zone covers are required across all floors to hamper the spread of fire across different floors. As well as our 3110T fire safety espagnolette lock, the VSSM worked together with Schlossfabrik Heusser AG to develop special hinges for riser zones. These are now part of the VSSM module for riser zones.





Schlossfabrik Heusser AG
Murgstrasse 11
CH - 4923 Wynau

www.heusser-schloss.ch
info@heusser-schloss.ch

05.2026