

# Solutions for furniture and doors

## Catalogue 2026



# ■ Furniture solutions

## Content

### Doorknobs / furniture knobs

Cylinder, blank, furniture knobs	04 - 27
Window cylinder handle, window blind handle	28 - 30
Rod lock	31
Doorknob rosettes	32 - 34
Drilling jig, bit screwdriver	35

### Espagnolette locks

TERZA 3016 / 3017	36 - 42
Standard / combo designs	43
3101 espagnolette lock	44
3110T fire safety lock	45 - 47
B3110T set of fittings for riser duct and electrical fronts	48 - 49
3120 espagnolette lock for Euro profile half cylinder	50 - 51

### Furniture locks / accessories

Screw-on locks, deadlock	52 - 56
Mortice locks	57
Bar lock	58
Furniture lock accessories	59 - 60
Shutter lock	61
Closing handle for furniture shutters	62 - 63

# ■ Door solutions

## Content

### Inset Locks

HEUSSER-Inset Locks new generation	64 - 70
Active - fixed leaf	71

### Inset Locks

HEUSSER-Inset Locks overview	72 - 73
HEUSSER-Inset Locks series 9	74 - 79
HEUSSER-Inset Locks series 6	80 - 85
HEUSSER-Inset Locks series 3	86 - 89
HEUSSER-Inset Locks series 1	90 - 94
Handle	95 - 99

### Inset Locks U-handle

HEUSSER-Inset Locks U-handle overview	100 - 101
HEUSSER-Inset Locks series 9	102 - 104
HEUSSER-Inset Locks series 6	105 - 107
HEUSSER-Inset Locks series 3	108 - 109
HEUSSER-Inset Locks series 1	110
U-handle	111

### Door hinge safety catches / strike plates

Drop latches	112
Hinge safety catches	113 - 114
Deadlock	115

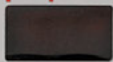
### ELATO-3-bracket / spacer plates

ELATO-3-bracket	116
Spacer plates	117 - 118

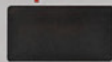
# ■ Furniture solutions

## Content

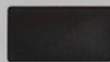
**papier**



**pet**



**alu**



## ■ HEUSSER-Olives Locks mounting options Standard and kombi system

Two versions are available for the secure mounting of HEUSSER olives.



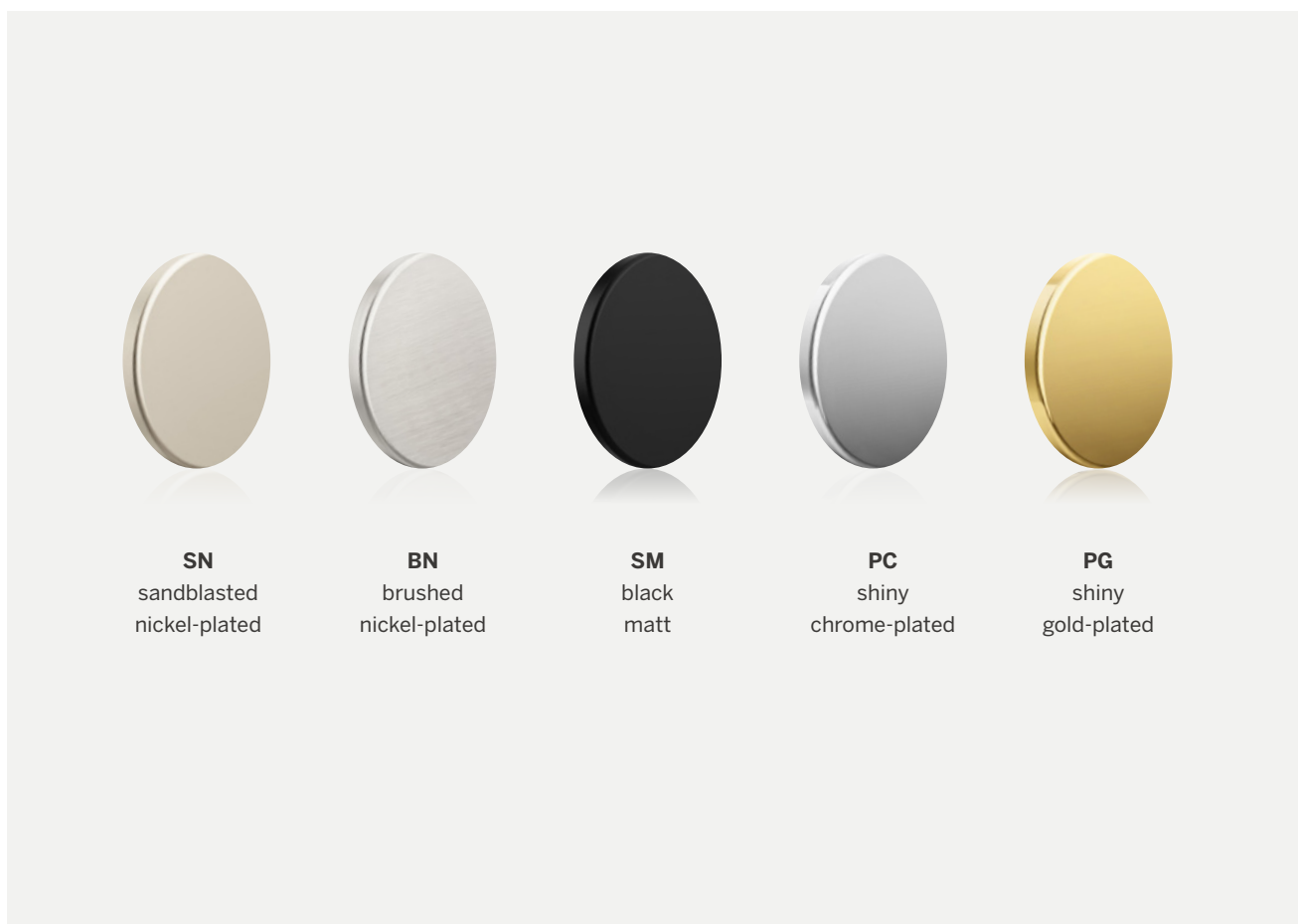
The kombi-mounting offers the following advantages:

- simplified installation through centering and alignment of the lock on the fitting
- wasy replacement of handles, keys, cylinders, or digital levers
- uniform 30mm diameter hole in the wood for all locking and latch variants

## ■ Variety in material finish

### Seamless integration into the surroundings

- high-quality surface finishing for a flawless appearance and exceptional durability.
- HEUSSER-Olives are available in various finishes.



 HEUSSER-Olives



**BN**  
brushed nickel-plated



**SN**  
sandblasted nickel-plated

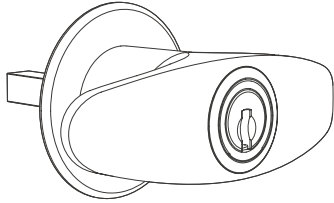


**SM**  
black matt

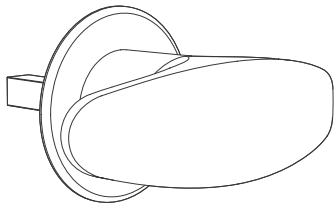


**PC**  
shiny chrome-plated

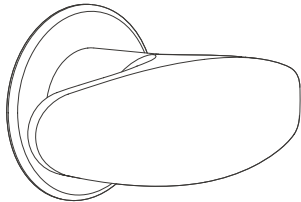
■ **3401** | **3402** | **3402.1**  
 Cylinder | Blank knob | Furniture knob



**3401** Cylinder knob



**3402** Blank knob



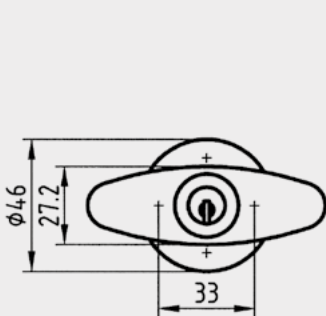
**3402.1** Furniture knob

**Standard version**

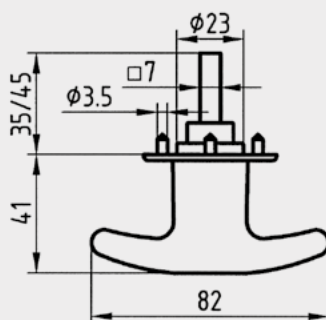
Material	Zinc
Surface	Sandblasted, nickel-plated (SN) Brushed, nickel-plated (BN) Black matt (SM) Shiny, chrome-plated (PC)
Closure	Unique locking
Direction	For right hinged doors
Square pin	7/7/35 mm
Rosette	Standard R473/46 (see fig.) or for TERZA with combo casing

**More options**

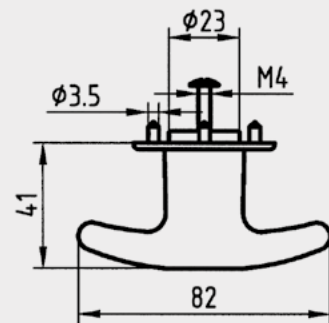
Surface	Shiny, gold-plated (PG)
Closure	Simultaneous locking Based on master key Integrated into lock system Key cannot be removed while unlocked
Direction	For left hinged doors
Square pin	7/7/45 mm 7/7/special length



**3401**



**3401/3402**



**3402.1**

■ HEUSSER-Olives



**PC**  
shiny chrome-plated



**SN**  
sandblasted nickel-plated

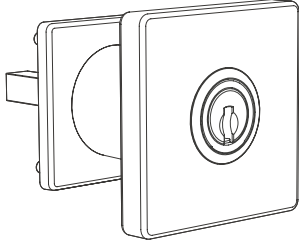


**SM**  
black matt

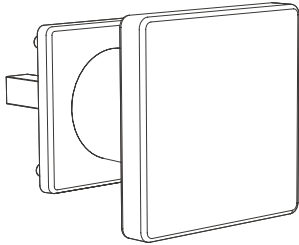


**BN**  
brushed nickel-plated

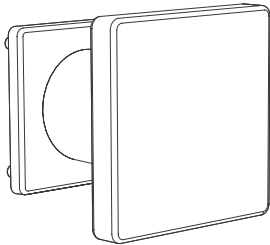
■ **3403** | **3404** | **3404.1**  
 Cylinder | Blank knob | Furniture knob



**3403** Cylinder knob



**3404** Blank knob



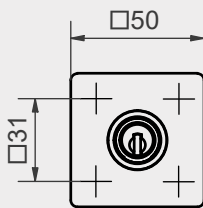
**3404.1** Furniture knob

**Standard version**

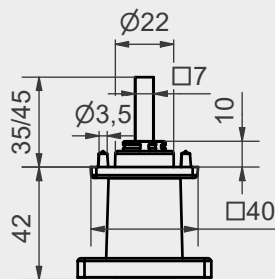
Material	Zinc
Surface	Sandblasted, nickel-plated (SN) Brushed, nickel-plated (BN) Black matt (SM) Shiny, chrome-plated (PC)
Closure	Unique locking
Direction	For right hinged doors
Square pin	7/7/35 mm
Rosette	Standard R3403/04 (see fig) or for TERZA with Combo casing

**More options**

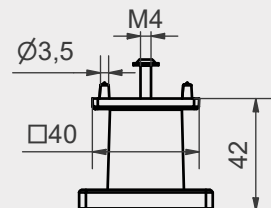
Surface	Shiny, gold-plated (PG)
Closure	Simultaneous locking Based on master key Integrated into lock system Key cannot be removed while unlocked
Direction	For left hinged doors
Square pin	7/7/45 mm 7/7/special length



**3403**



**3403/3404**



**3404.1**

 HEUSSER-Olives



**SM**  
black matt



**SN**  
sandblasted nickel-plated



**BN**  
brushed nickel-plated

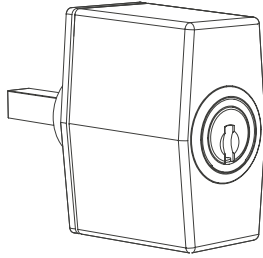


**PC**  
shiny chrome-plated

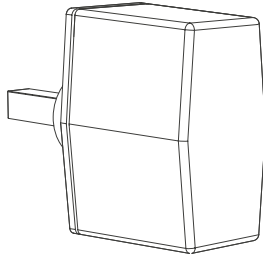
**3405**  
Cylinder

**3406**  
Blank knob

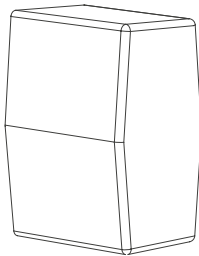
**3406.1**  
Furniture knob



**3405** Cylinder knob



**3406** Blank knob



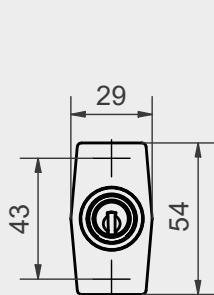
**3406.1** Furniture knob

**Standard version**

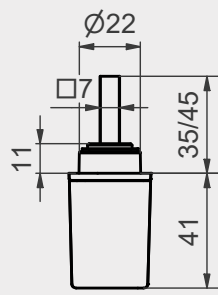
Material	Zinc
Surface	Sandblasted, nickel-plated (SN) Brushed, nickel-plated (BN) Black matt (SM) Shiny, chrome-plated (PC)
Closure	Unique locking
Direction	For right hinged doors
Square pin	7/7/35 mm
Rosette	Standard R3405/06 (see fig) or for TERZA with Combo casing

**More options**

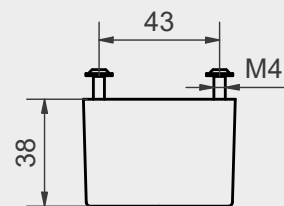
Surface	Shiny, gold-plated (PG)
Closure	Simultaneous locking Based on master key Integrated into lock system Key cannot be removed while unlocked
Direction	For left hinged doors
Square pin	7/7/45 mm 7/7/special length



**3405**



**3405/3406**



**3406.1**

**HEUSSER-Olives**



**BN**  
brushed nickel-plated



**SN**  
sandblasted nickel-plated



**SM**  
black matt

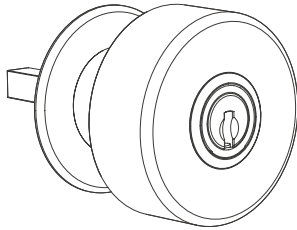


**PC**  
shiny chrome-plated

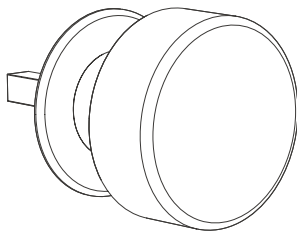
**3411**  
Cylinder

**3412**  
Blank knob

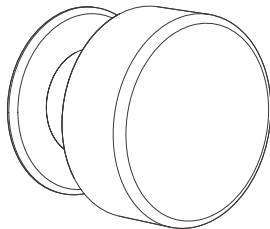
**3412.1**  
Furniture knob



**3411** Cylinder knob



**3412** Blank knob



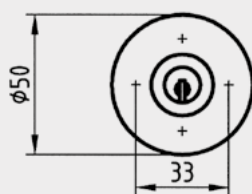
**3412.1** Furniture knob

**Standard version**

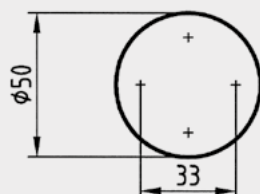
Material	Zinc
Surface	Sandblasted, nickel-plated (SN) Brushed, nickel-plated (BN) Black matt (SM) Shiny, chrome-plated (PC)
Closure	Unique locking
Direction	For right hinged doors
Square pin	7/7/35 mm
Rosette	Standard R473/46 (see fig.) or for TERZA with combo casing

**More options**

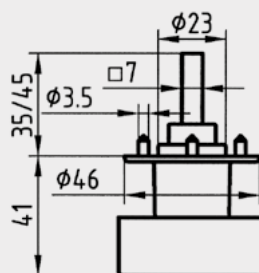
Surface	Shiny, gold-plated (PG)
Closure	Simultaneous locking Based on master key Integrated into lock system Key cannot be removed while unlocked
Direction	For left hinged doors
Square pin	7/7/45 mm 7/7/special length



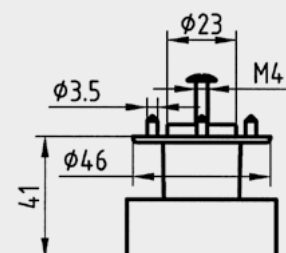
**3411**



**3412/3412.1**



**3411/3412**



**3412.1**

 HEUSSER-Olives



**SM**  
black matt



**SN**  
sandblasted nickel-plated



**BN**  
brushed nickel-plated



**PC**  
shiny chrome-plated

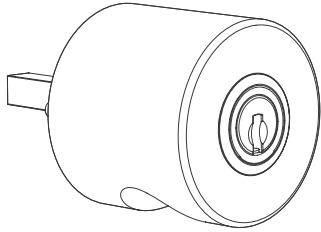


**PG**  
shiny gold-plated

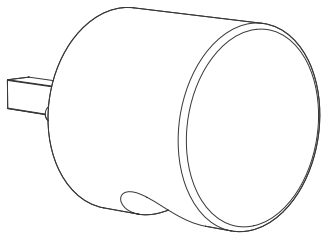
**3413**  
Cylinder

**3414**  
Blank knob

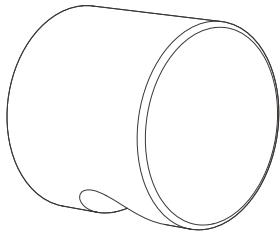
**3414.1**  
Furniture knob



**3413** Cylinder knob



**3414** Blank knob



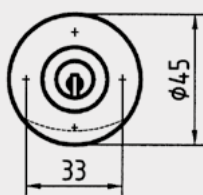
**3414.1** Furniture knob

**Standard version**

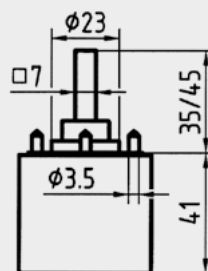
Material	Zinc
Surface	Sandblasted, nickel-plated (SN) Brushed, nickel-plated (BN) Black matt (SM) Shiny, chrome-plated (PC) Shiny, gold-plated (PG)
Closure	Unique locking
Direction	For right hinged doors
Square pin	7/7/35 mm
Rosette	Standard R473/40 (see fig.) or for TERZA with combo casing

**More options**

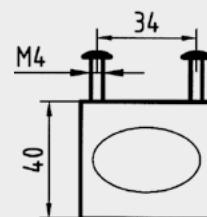
Closure	Simultaneous locking Based on master key Integrated into lock system Key cannot be removed while unlocked
Direction	For left hinged doors
Square pin	7/7/45 mm 7/7/special length



**3413**



**3413/3414**



**3414.1**

# ■ HEUSSER-Olives



**PC**  
shiny chrome-plated



**SN**  
sandblasted nickel-plated



**BN**  
brushed nickel-plated

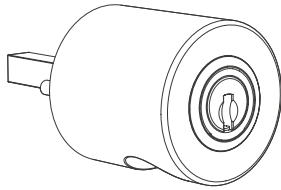


**SM**  
black matt

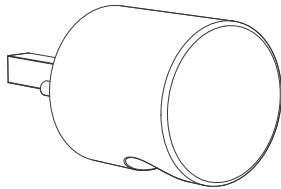


**PG**  
shiny gold-plated

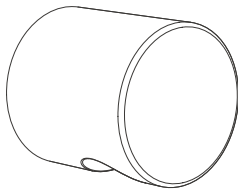
■ **3413.2** | **3414.2** | **3414.3**  
 Cylinder | Blank knob | Furniture knob



**3413.2** Cylinder knob



**3414.2** Blank knob



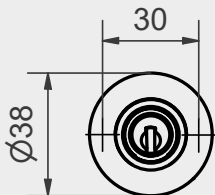
**3414.3** Furniture knob

**Standard version**

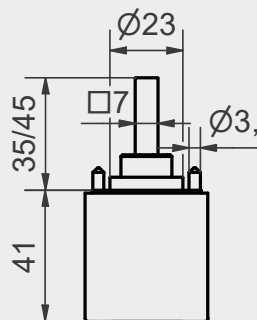
Material	Zinc
Surface	Sandblasted, nickel-plated (SN) Brushed, nickel-plated (BN) Black matt (SM) Shiny, chrome-plated (PC) Shiny, gold-plated (PG)
Closure	Unique locking
Direction	For right hinged doors
Square pin	7/7/35 mm
Rosette	Standard R1306 (see fig.) or for TERZA with combo casing

**More options**

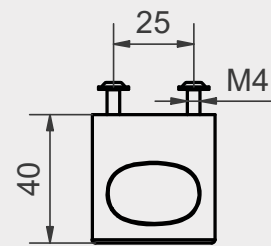
Closure	Simultaneous locking Based on master key Integrated into lock system Key cannot be removed while unlocked
Direction	For left hinged doors
Square pin	7/7/45 mm 7/7/special length



**3413.2**



**3413.2/3414.2**



**3414.3**

**3421S**  
Cylinder

**3422S**  
Blank knob

**3422.1S**  
Furniture knob



**3421S** Cylinder knob



**3422S** Blank knob



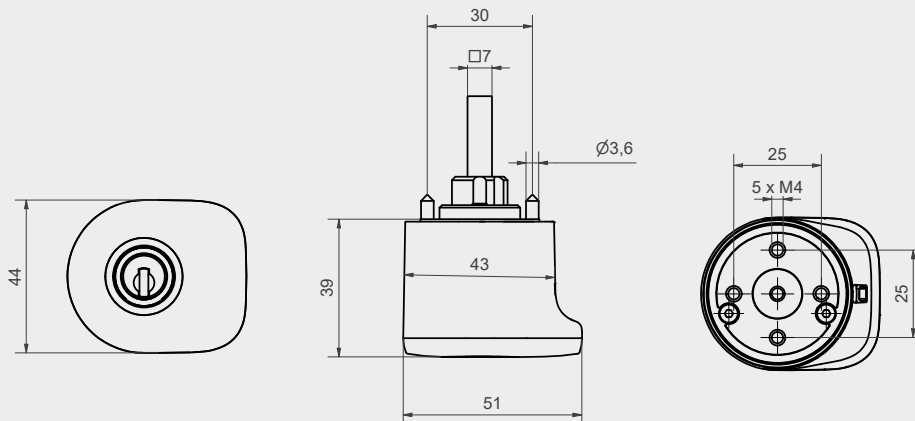
**3422.1S** Furniture knob

**Standard version**

Material	Zinc, plastic
Surface	Cover black in combination with: Sandblasted, nickel-plated (SN) Brushed, nickel-plated (BN) Shiny, chrome-plated (PC)
Closure	Unique locking
Direction	For right hinged doors
Square pin	7/7/35 mm
Rosette	Standard R1306 (see fig.) or for TERZA with combo casing

**More options**

Closure	Simultaneous locking Based on master key Integrated into lock system Key cannot be removed while unlocked
Direction	For left hinged doors
Square pin	7/7/45 mm 7/7/special length



**3421**

**3421 / 3422**

**3422.1**

■ **3421W** | **3422W** | **3422.1W**  
 Cylinder | Blank knob | Furniture knob



**3421W** Cylinder knob



**3422W** Blank knob



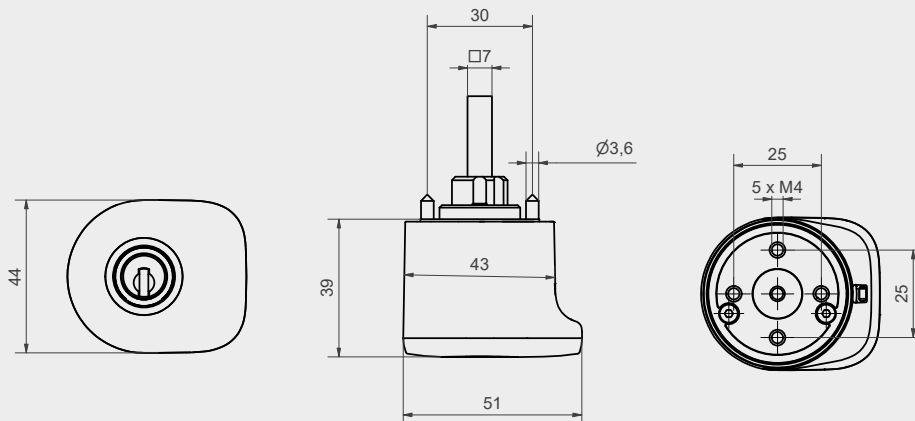
**3422.1W** Furniture knob

**Standard version**

Material	Zinc, plastic
Surface	Cover white in combination with: Sandblasted, nickel-plated (SN) Brushed, nickel-plated (BN) Shiny, chrome-plated (PC)
Closure	Unique locking
Direction	For right hinged doors
Square pin	7/7/35 mm
Rosette	Standard R1306 (see fig.) or for TERZA with combo casing

**More options**

Closure	Simultaneous locking Based on master key Integrated into lock system Key cannot be removed while unlocked
Direction	For left hinged doors
Square pin	7/7/45 mm 7/7/special length



**3421**

**3421 / 3422**

**3422.1**

■ 3417  
Cylinder

3418  
Blank knob

3418.1  
Furniture knob

3418.5  
Furniture knob



3417 Cylinder knob



3418 Blank knob



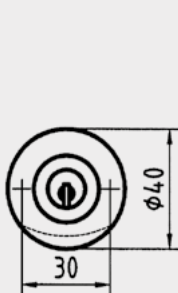
3418.1 / 3418.5 Furniture knob

Standard version

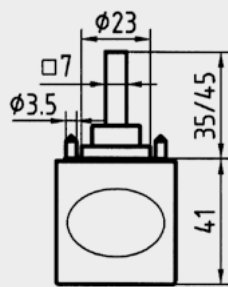
Material	Plastic
Colour	Black glossy (SG) (RAL 9005), Shite glossy (WG) (RAL 9010)
Closure	Unique locking
Direction	For right hinged doors
Square pin	7/7/35 mm
Rosette	Standard R1306 (see fig.) or for TERZA with combo casing

More options

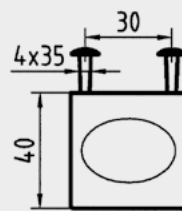
Closure	Simultaneous locking Based on master key Integrated into lock system Key cannot be removed while unlocked
Direction	For left hinged doors
Square pin	7/7/45 mm 7/7/special length



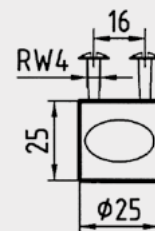
3417



3417/3418

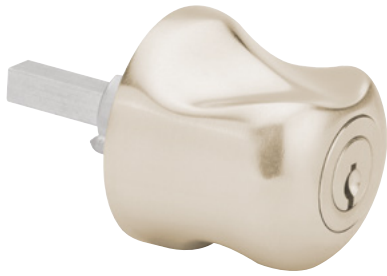


3418.1

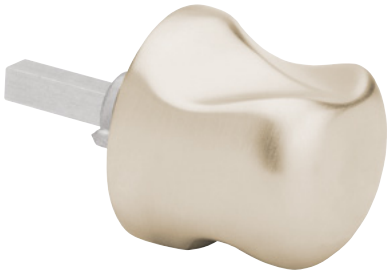


3418.5

■ **3481** | **3482** | **3482.1**  
 Cylinder | Blank knob | Furniture knob



**3481** Cylinder knob



**3482** Blank knob



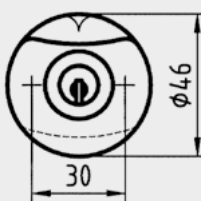
**3482.1** Furniture knob

**Standard version**

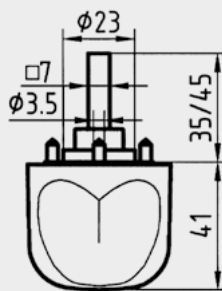
Material	Zinc
Surface	Sandblasted, nickel-plated (SN) Brushed, nickel-plated (BN) Shiny, chrome-plated (PC)
Closure	Unique locking
Direction	For right hinged doors
Square pin	7/7/35 mm
Rosette	Standard R1306 (see fig.) or for TERZA with combo casing

**More options**

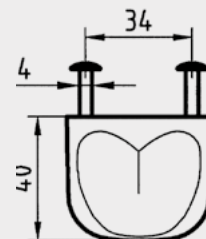
Surface	Shiny, gold-plated (PG)
Closure	Simultaneous locking Based on master key Integrated into lock system Key cannot be removed while unlocked
Direction	For left hinged doors
Square pin	7/7/45 mm 7/7/special length



**3481**



**3481/3482**



**3482.1**

■ **3483** | **3484** | **3484.1** | **3484.5**  
 Cylinder | Blank knob | Furniture knob | Furniture knob



**3483** Cylinder knob \*



**3484** Blank knob\*



**3484.1 / 3484.5** Furniture knob\*

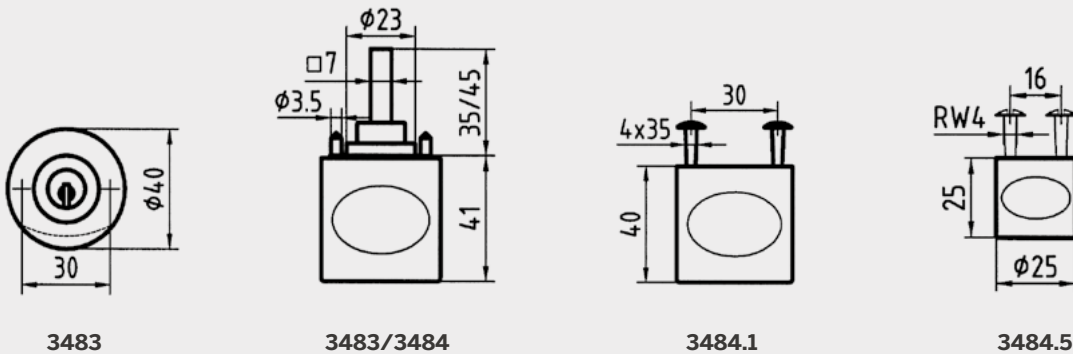
**Standard version**

Material	Solid wood
Surface	Untreated
Woods	Pine Cherrywood Oak Beechwood Ash Walnut Maple
Closure	Unique locking
Direction	For right hinged doors
Square pin	7/7/35 mm
Rosette	Standard R1306 (see fig.) or for TERZA with combo casing

**More options**

Closure	Simultaneous locking Based on master key Integrated into lock system Key cannot be removed while unlocked
Direction	For left hinged doors
Square pin	7/7/45 mm 7/7/special length

\* Fig. Natural oiled walnut



**3489**  
Cylinder

**3490**  
Blank knob

**3490.1**  
Furniture knob



**3489** Cylinder knob



**3490** Blank knob



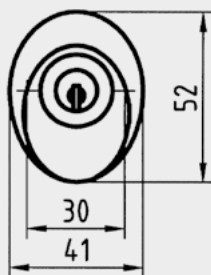
**3490.1** Furniture knob

**Standard version**

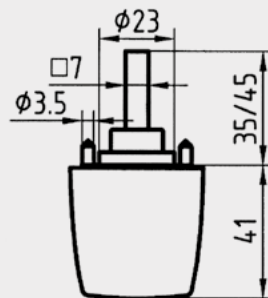
Material	Zinc
Surface	Sandblasted, nickel-plated (SN) Brushed, nickel-plated (BN) Black matt (SM) Shiny, chrome-plated (PC)
Closure	Unique locking
Direction	For right hinged doors
Square pin	7/7/35 mm
Rosette	Standard R1306 (see fig.) or for TERZA with combo casing

**More options**

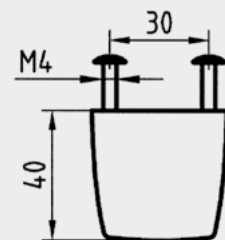
Surface	Shiny, gold-plated (PG)
Closure	Simultaneous locking Based on master key Integrated into lock system Key cannot be removed while unlocked
Direction	For left hinged doors
Square pin	7/7/45 mm 7/7/special length



**3489**



**3489/3490**



**3490.1**

# 3491 Cylinder

# 3492 Blank knob

# 3492.1 Furniture knob



3491 Cylinder knob



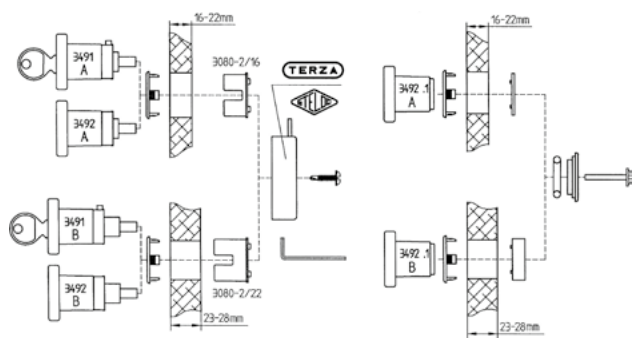
3492 / 3492.1 Blank knob

### Standard version

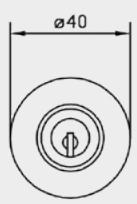
Material	Plastic
Surface	Velor, nickel-plated (VN)
Closure	Unique locking
Direction	For right hinged doors
Thickness of wood	Type A = 16-22 mm Type B = 23-28 mm
Rosette	R3491 for TERZA with 30 mm Combo casing 3080-2 and 3080-2/22

### More options

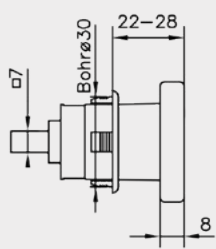
Surface	Shiny, chrome-plated (PC) Shiny, gold-plated (PG)
Closure	Simultaneous locking Based on master key Integrated into lock system Key cannot be removed while unlocked
Direction	for left hinged doors



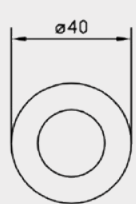
### Assembly instructions



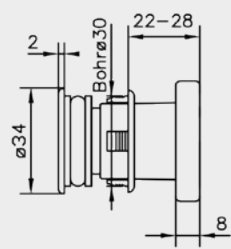
3491



3491/3492



3492/3492.1



3492.1

**3493**  
Cylinder

**3494**  
Blank knob

**3494.1**  
Furniture knob



**3493** Cylinder knob



**3494** Blank knob



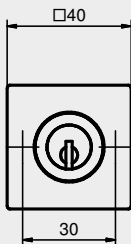
**3494.1** Furniture knob

**Standard version**

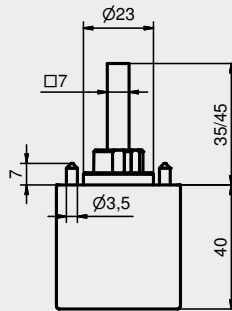
Material	Stainless steel
Surface	Brushed (IB)
Closure	Unique locking
Direction	For right hinged doors
Square pin	7/7/35 mm
Rosette	Standard R1306 (see fig.) or for TERZA with combo casing

**More options**

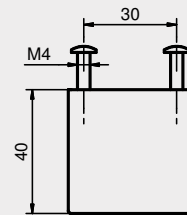
Surface	Polished (IP)
Closure	Simultaneous locking Based on master key Integrated into lock system Key cannot be removed while unlocked
Direction	For left hinged doors
Square pin	7/7/45 mm 7/7/special length



**3493**



**3493/3494**



**3494.1**

# ■ HEUSSER Window Knob



**SM**  
black matt



**SN**  
sandblasted nickel-plated



**BN**  
brushed nickel-plated



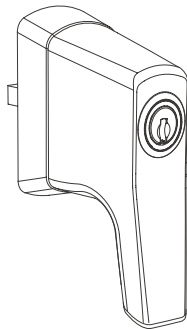
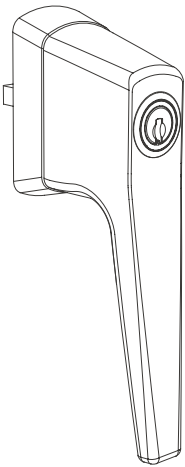
**PC**  
shiny chrome-plated

# 3463 / 3463K

## Window cylinder knob

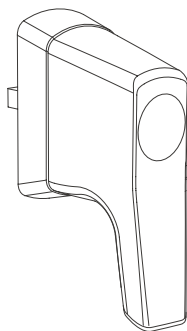
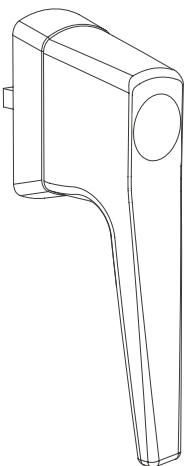
# 3464 / 3464K

## Window blank knob



**3463** Cylinder knob

**3463K** Cylinder knob



**3464** Blind knob

**3464K** Blind knob

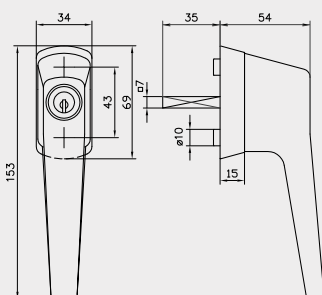
### Standard version

Material	Zinc
Surface	Sandblasted, nickel-plated (SN) Brushed, nickel-plated (BN) Black matt (SM) Shiny, chrome-plated (PC)
Closure	Unique locking
Direction	For right hinged doors
Square pin	7/7/35 mm
Rosette	R3463/64 (see. figure)

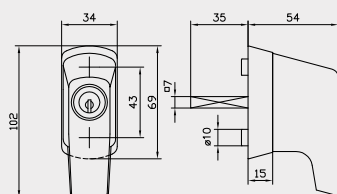
### More options

Surface	Shiny, gold-plated (PG)
Closure	Simultaneous locking Based on master key Integrated into lock system Key cannot be removed while unlocked
Direction	For left hinged doors
Square pin	7/7/45 mm 7/7/special length
Designs	Short version (K) self-closing

**For RC 1-6 resistance classes  
in accordance with EN1627**

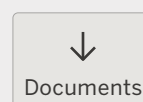


**3463/3464**



**3463K/3464K**

### Download

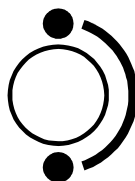


# 3463 / 3463K

## More options

### Standard

The standard window handle can be locked from 6 o'clock to 12 o'clock and moved freely between these positions.



6 o'clock	lockable
6 - 12 o'clock	turnable
12 o'clock	lockable

### MEVO

The MEVO design can be locked between 6 o'clock and 12 o'clock. With the turn of a key, the window handle can be turned either from 6 o'clock to 3 o'clock or from 3 o'clock to 12 o'clock. The shift between these two functions takes place at 3 o'clock.



6 o'clock	lockable
6 - 3 o'clock	turnable
3 - 12 o'clock	turnable
12 o'clock	lockable

### Winter time

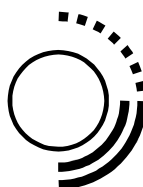
Winter time means the window handle can be turned either from 6 o'clock to 3 o'clock or from 6 o'clock to 12 o'clock. It can also be locked at 12 o'clock



6 o'clock	lockable
6 - 12 o'clock	turnable
12 o'clock	lockable

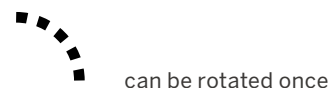
### Tilt first

Tilt first means that the window handle can be freely moved between 6 o'clock and 3 o'clock. In the 3 o'clock position, the window handle can be released with one turn of the key for a turn towards 12 o'clock, and the key can then be removed. After the handle has been returned to 3 o'clock, turning from 3 to 12 o'clock is impossible once again.



6 - 3 o'clock	turnable
6 - 12 o'clock	turnable
Can be turned to 12 o'clock and back once	

All functions are the opposite way round for left-hinged windows!



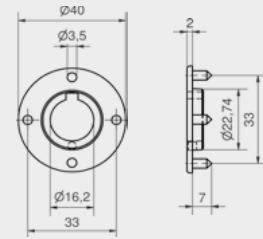


# Standard rosettes



R473/40

Round rosette to go with knobs:  
 • 3413/14  
 Surface nickel plated

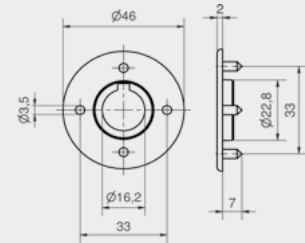


R473/40



R473/46

Round rosette to go with knobs:  
 • 3401/02 • 3411/12  
 Surfaces like the knobs

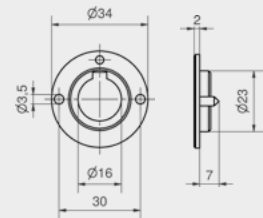


R473/46



R1306/34

Round rosette to go with knobs:  
 • 3417/18 • 3413.2/14.2  
 • 3481/82 • 3483/84  
 • 3489/90  
 Surface nickel plated

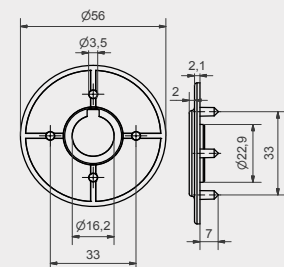


R1306/34



R3495

Round rosette for covering drill holes, paint edges, cracks and chips on the door.  
 Goes with the following door-knobs:  
 • 3413/14 • 3413.2/14.2  
 • 3417/18 • 3481/82  
 • 3483/84 • 3489/90  
 • 3493/94 • 3495/96  
 Surfaces like the knobs



R3495

# ■ Combo rosette



**R3087**

Rosette to fit all knobs in combination with TERZA combo drill hole at  $\varnothing$  25mm (3080-25) or 30mm (3080). Surfaces like the knobs and bare



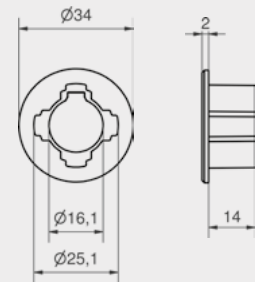
**3087R3084**

Reduction, in combination with rosette 3087 and combo casing 3080 to go with all knobs (apart from 3491/92).

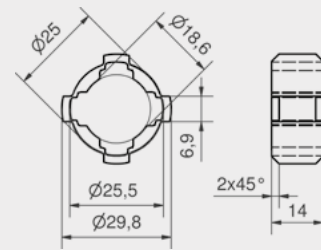


**VR3087**

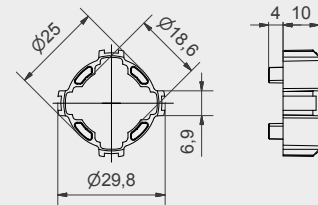
Extension goes with combo rosette R3087 in combination with TERZA combo for 30mm drill holes (3080).



**R3087**



**3087R3084**



**VR3087**

Thickness of wood	Number / extensions	Combo casings
16 - 22	1 (or red. 3087R3084)	3080-2/16 black
22 - 27	1 (or red. 3087R3084)	3080-2/22 blue
27 - 32	2	3080-2/16 black
32 - 37	2	3080-2/22 blue
37 - 42	3	3080-2/16 black
42 - 47	3	3080-2/22 blue

Thickness of wood	Number / extensions	Combo casing 3080
18 - 25	1	3080 Zinc
25 - 35	2	3080 Zinc
35 - 45	3	3080 Zinc

Extensions should only be joined together using Loctite or superglue.

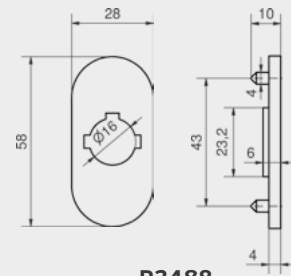
# Rosettes

## For metal and wood constructions



**R3488**

Rosette oval, 4 mm thick  
Goes with the following doorknobs  
• 3401/02  
• 3411/12  
Surfaces like the knobs

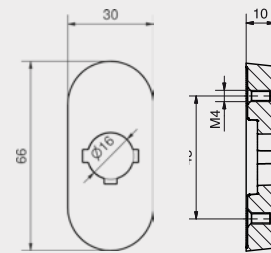


**R3488**



**R3488/10-2**

Rosettes oval, 10 mm thick with M4 thread hole  
Goes with the following doorknobs  
• 3401/02 with perforation for safety ring  
• 3411/12 with perforation for safety ring  
Surfaces like the knobs

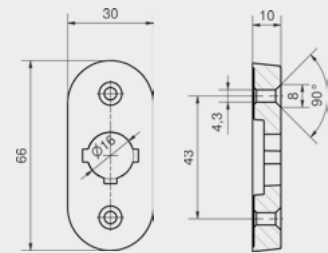


**R3488/10-2**



**R3488/10-4**

Rosette oval, 10 mm thick with M4 thread hole  
Goes with the following doorknobs  
• 3401/02 with perforation for safety ring  
• 3411/12 with perforation for safety ring  
Surfaces like the knobs

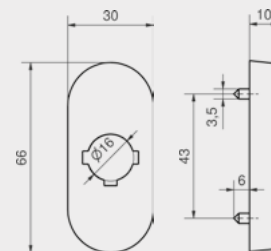


**R3488/10-4**



**R3488/10-6**

Rosette oval, 10 mm with Ø 3.5 mm pin  
Goes with the following doorknobs  
• 3401/02  
• 3411/12  
Surfaces like the knobs

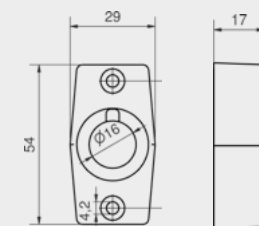


**R3488/10-6**



**R3405/17**

Rosette rhombic, 17 mm thick with M4 thread hole  
Goes with the following doorknobs  
• 3405/06 with perforation for safety ring  
Surfaces like the knobs



**R3405/17**

# ■ Drilling jig / bit screwdriver



**3400.01.A**

## **3400.01.A boring jig A**

Purpose of use:

To bore mortice holes for doorknobs with standard rosettes.

Knob type

- 3401/02      • 3411/12
- 3413/14

Rosette:

- R473/40      • R473/46
- R3495

Drill Ø 3.5 mm



**3400.01.B**

## **3400.01.B boring jig B**

Purpose of use:

To bore mortice holes for doorknobs with standard rosettes.

Knob type:

- 3403/04      • 3417/18
- 3489/90      • 3405/06/07
- 3481/82      • 3413.2/14.2
- 3483/84

Rosette:

- R1306      • R3403
- R3405

Drill Ø 3.5 mm



**3000/2**

## **3000/2 bit screwdriver flexible**

Purpose of use:

To tighten the TERZA bolt, practical to use thanks to flexible shaft.

Standard version:

Bit screwdriver, flexible, with 2 mm bit inset (for TERZA)



**3000BIT2**

Accessories:

Product no.	Description	Bit
-------------	-------------	-----

3000BIT2	Bit inset	2 mm
----------	-----------	------

# 3016

## TERZA espagnolette lock



### Purpose of use

Cupboard doors in homes, offices and industrial buildings

### Standard version

Material	Metal / plastic
Surface	Nickel-plated
Bolt dimensions	38 mm
For bars	8x7 mm
Socket	7/7 mm
Rotation	90°
Direction	Can be used without migration left or right
Drill hole	Identical for 28/38 mm

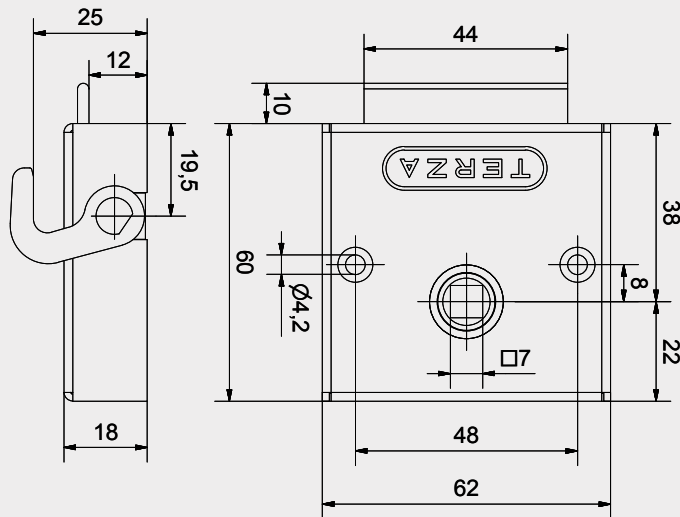
Rotary handle fixed using bolt

### Special versions

- Other surfaces on request
- Bolt rotation 360° for 1057 cylinder, keys can be removed locked and unlocked (bolt cannot be used)
- Insertable
- For drawers (LAD)
- For bars 6x5 mm
- For bars, can only be closed upwards

Accessories on the following page

3016



3016

# 3017 TERZA espagnolette lock



## Purpose of use

Cupboard doors in homes, offices and industrial buildings

## Standard version

Material	Metal / plastic
Surface	Nickel-plated
Bolt dimensions	28 mm
For bars	8x7 mm
Socket	7/7 mm
Rotation	90°
Direction	Can be used without migration left or right
Drill hole	Identical for 28/38 mm

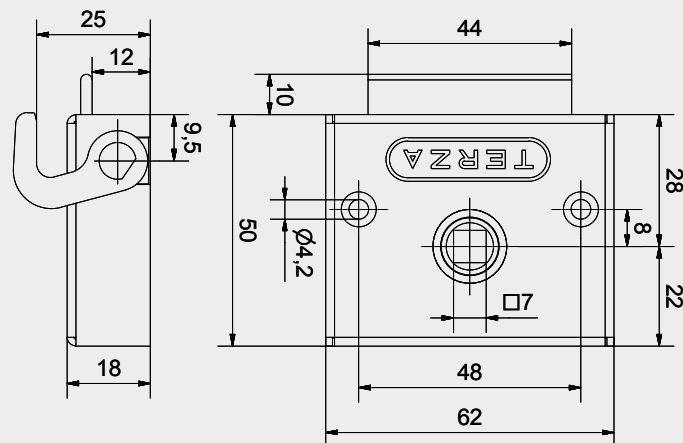
Rotary handle fixed using bolt

## Special versions

- Other surfaces on request
- Bolt rotation 360° for 1057 rotation, keys can be removed locked and unlocked (bolt cannot be used)
- Insertable
- For drawers (LAD)
- For bars 6x5 mm
- For bars, can only be closed upwards

Accessories on the following page

3017



3017

# 3016SME

## TERZA espagnolette lock



3016MSE

### Purpose of use

Cupboard doors in homes, offices and industrial buildings

### Standard version

Material	Metal / plastic
Surface	black matt
Bolt dimensions	38 mm
For bars	8x7 mm
Socket	7/7 mm
Rotation	90°
Direction	Can be used without migration left or right
Drill hole	Identical for 28/38 mm

Rotary handle fixed using bolt

### Special versions

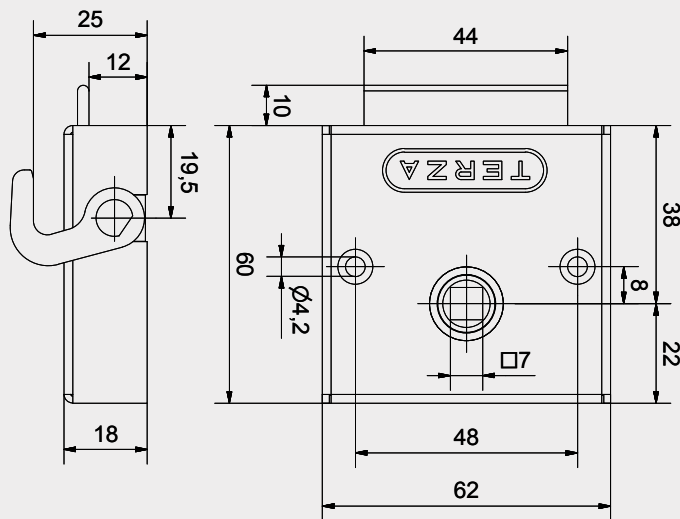
- Bolt rotation 360° for 1057 cylinder, keys can be removed locked and unlocked (bolt cannot be used)
- Insertable
- For drawers (LAD)
- For bars, can only be closed upwards

### Accessories (included)

- Arrester hook 3037/38SM including screws
- Strike plate 3040SM including screws
- Bracket 3023SSM including screws
- Screws for lock fastening

### Matching accessories

- Bar 3070SM250
- Bar bridle 3043SM Omega



3016

# 3017SME

## TERZA espagnolette lock



3017SME

### Purpose of use

Cupboard doors in homes, offices and industrial buildings

### Standard version

Material	Metal / plastic
Surface	black matt
Bolt dimensions	28 mm
For bars	8x7 mm
Socket	7/7 mm
Rotation	90°
Direction	Can be used without migration left or right
Drill hole	Identical for 28/38 mm

Rotary handle fixed using bolt

### Special versions

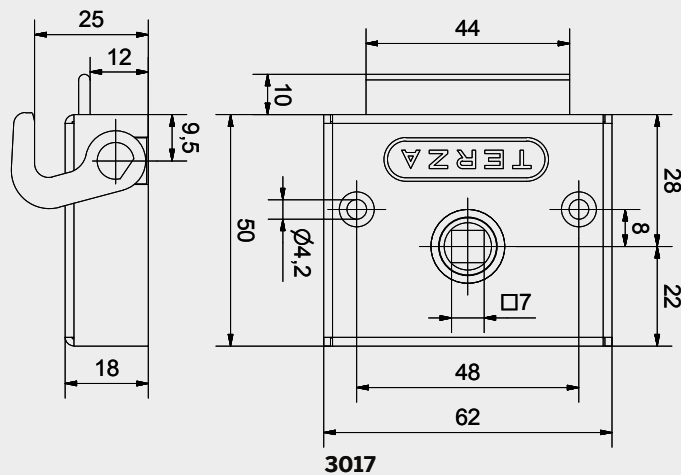
- Bolt rotation 360° for 1057 rotation, keys can be removed locked and unlocked (bolt cannot be used)
- Insertable
- For drawers (LAD)
- For bars, can only be closed upwards

### Accessories (included)

- Arrester hook 3037/38SM including screws
- Strike plate 3040SM including screws
- Bracket 3023SSM including screws
- Screws for lock fastening

### Matching accessories

- Bar 3070SM250
- Bar bridle 3043SM Omega



3017

# TERZA

## Accessories

### Arrester hook



3037N



3038N



3037SM



3038SM



3037N Omega



3038N Omega



3047N  
S/W



3048N  
S/W

### Bracket



3023N



3023SN



3023SSM



3025N



3026N



3028N



3029N



3030N



3031W

### Strike plates



3040N



3040SM



3041-14N



3041-14N



3042N



3812W

# TERZA Accessories

## Combo casings/rosettes



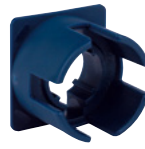
1008A-25



3044N



3080-2



3080-2/22



3080 Zink



3081N



3085N



3086SN



3088SN

## Additional accessories



Kaba 1057



3032S/W/G



3045



3049N



3068



3082



3089SN



3090N



3091



3813T

## Bars and bar bridles\*



3043N



3043N Omega



3043SM Omega



3070N200  
3070N225  
3070N250  
3070N300



3070SM250

\* For 6 mm bars, bar bridles are recommended from a length of 220 cm  
For 8 mm bars, bar bridles are recommended from a length of 225 cm

# TERZA

## Fixture options

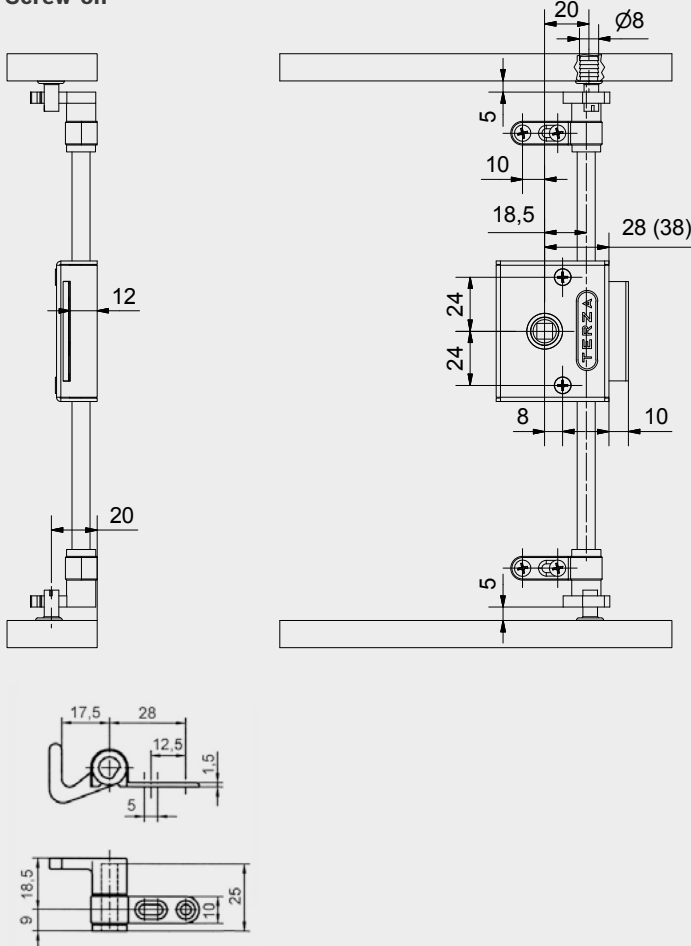


**3017**  
Screw-on

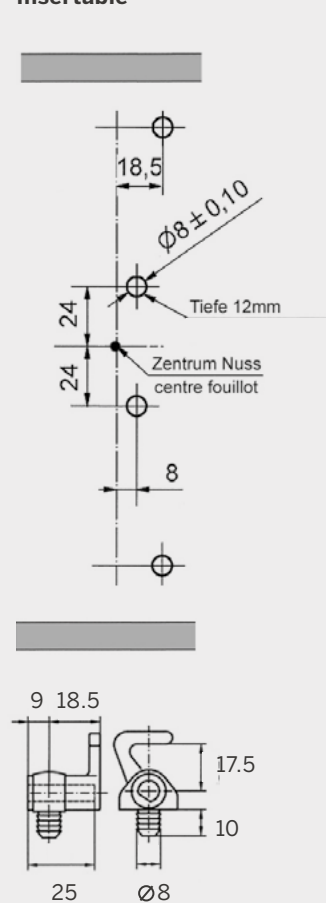


**3017D**  
Insertable

### Screw-on



### Insertable

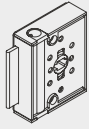

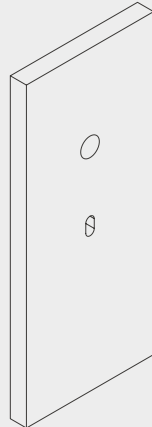

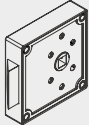

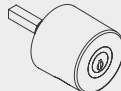

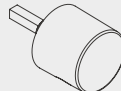
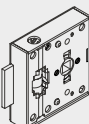
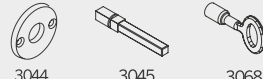



**Please note!**  
Not suitable for fire safety use,  
sutable espagnolette lock **3110T**

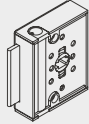

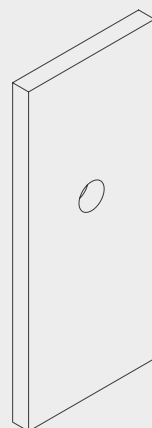


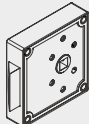


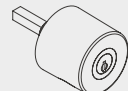

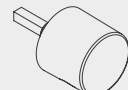
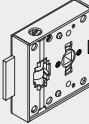




# Standard and Kombi

## For cupboard locks

### STANDARD

Lock	Mounting plate	Doors	Operation
 TERZA	 3813T		<b>Key</b>  1008A-25 Cylinder Typ 1057
 2425	 3082 (only for terza)		<b>Doorknob</b>  Cylinder knob   R1306 R473/40 R473/46   Blank knob
 3110T			<b>Key</b>  3044 3045 3068
			<b>Key</b>  3049 3090 (only for terza)

### KOMBI

Lock	Combo casing	Doors	Reduction/extension only for 3087	Operation
 TERZA	 3080-2		 Reduktion	<b>Key</b>  3085 Cylinder Typ 1057
 2425	 3080-2/22		 VR3087	<b>Doorknob</b>  Cylinder knob   3087   Blank knob
 3110T	 3080 Zink			<b>Key</b>  3086 3045 3068
				<b>Key</b>  3089 3090 (only for terza)
				<b>For 7mm 4 cornered shaft</b>  3081

# 3101

## HEUSSER espagnolette lock



3101

### Purpose of use

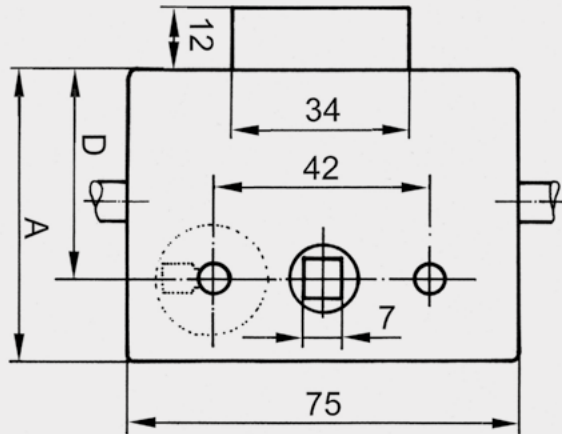
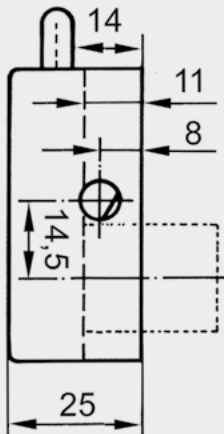
Cupboard doors in schools, offices and industrial buildings

### Standard version

Material	Metal / plastic
Surface	Nickel-plated
Bolt dimensions	30 / 35 / 40 mm
For bars	8x7 mm
Closure	Number key
Rotation	90°
Direction	Can be used without migration left or right
Key rotation	360°

### Accessories

- 3037/38N hook
- 3041/14N closing plate
- 2 x 3023N brackets
- Screws
- 1 x 3061N key
- 1 x 3049SNK key plate

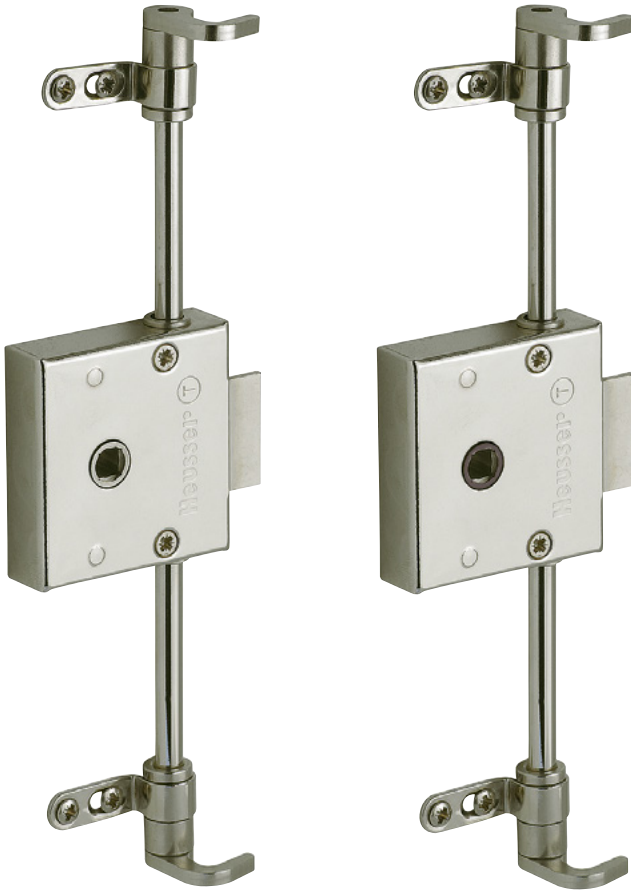


D30 A=47

D35 A=52

D40 A=57

# ■ 3110T 90° / 360° Fire safety lock



3110T 90°

3110T 360°

### Purpose of use

Fire doors on cupboards  
in schools, offices and industrial buildings

### Versions

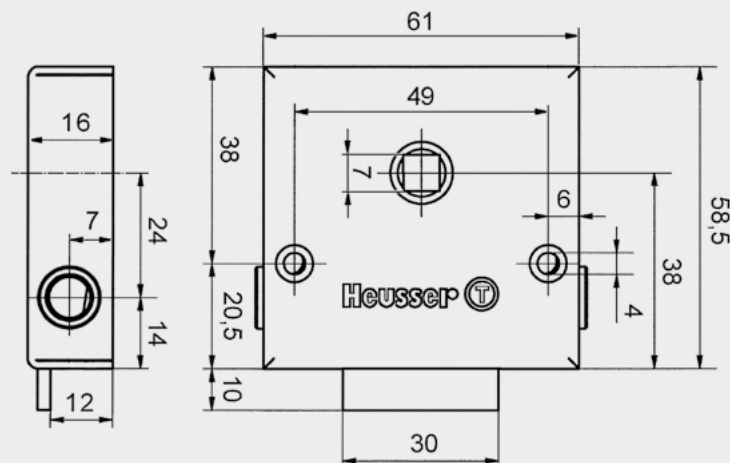
Material	Lock and arrester hook made from pure steel
Surface	Nickel-plated
Bolt dimensions	38 mm
For bars	8x7 mm
Socket	7/7 mm
Rotation	90° or 360° for square, keys can be removed locked and unlocked (bolt cannot be used)
Direction	Can be used without migration left or right

### Special versions

- Other surfaces on request

Accessories / testing certificate on the following pages

Installation in accordance with fire safety regulations



# 3110T Accessories

## Arrester hook



3037TN



3038TN



3037TN Omega



3038TN Omega

## Bracket



3023N



3023SN



3025N



3026N



3028N



3030N

## Strike plates



3040N



3041-12N



3041-14N



3042N



3813T



3080 Zinc



# Test certificate

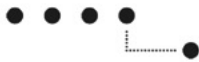
## 3110T fire safety lock



Schlossfabrik Heusser AG  
CH-4853 Murgenthal

Tel. +41 62 918 24 00  
Fax +41 62 918 24 10



www.heusserschloss.ch  
info@heusserschloss.ch



### Berner Fachhochschule

Technik und Informatik  
Maschinentechnik Burgdorf

### Prüfzeugnis

<b>Prüfobjekt</b>	<b>Brandschutzschloss 3110T</b>
<b>Geprüftes Bauteil</b>	Drehstangenschloss komplett aus Stahl für Brandschutz-Schranktüren Zusammenstellung siehe Seite 2
<b>Auftraggeber</b>	Schlossfabrik Heusser AG Herr Stephan Maag Murgstrasse 11 CH - 4853 Murgenthal / Schweiz
<b>Durchgeführte Prüfung</b>	Exposition gemäss ETK-Normbrandkurve: Nachweis Feuerwiderstand bei Temperaturen 842 / 945 / 1006 °C entsprechend der Prüfung für Feuerwiderstandsklassen T 30 / T 60 / T 90
<b>Normbezug</b>	Orientierende Prüfung in Anlehnung an die Normen EN 1363-1 / 1634-1 „Feuerwiderstandsprüfungen“ und die VKF-Brandschutzrichtlinie Pt. 4.1 – Bewe- gliche Abschlüsse (T) wie Türen und Tore
<b>Ergebnis</b>	<b>Nachweis erfüllt:</b> Zusammenfassung siehe Seite 2
<b>Prüfbericht</b>	Feuerwiderstandsprüfungen am Brandschutz- schloss 3110T / Bericht vom 23. April 2008 / BNM1
<b>Prüfdatum</b>	19. März 2008
<b>Prüfadresse</b>	Berner FH Technik und Informatik Fachbereich Maschinentechnik Max Brenner Pestalozzistrasse 20 CH - 3400 Burgdorf / Schweiz
<b>Sachbearbeiter</b>	Richard Huber Technischer Mitarbeiter 
<b>Prüfungsleitung</b>	Max Brenner Dipl.-Ing. ETH / SIA 
<b>Ausstelldatum</b>	23. April 2008

Maschinentechnik Burgdorf

Angewandte Forschung und Entwicklung

# B3110T

## Set of fittings for riser duct and electrical fronts



### Purpose of use

Cupboard doors for riser zones in offices, industrial buildings, schools and hospitals. Especially suitable for heavy, non-combustible cupboard fronts. The hinges prevent the cupboard doors from descending by axial force and supported screws. Hidden installation possible, as the frame section can be faced. No annoying hinges on the inside, as they are mounted in the base or facing area.

### Fittings for VSSM vertical duct and electric front EI30-RF1/EI30 (nbb) with VKF-No. 25548:

- B3110T.1 Basic set
- B3110T.Z1 Additional set 1 (door 1500 - 2200 mm)
- B3110T.Z2 Additional set 2 (door 2201 - 2600 mm)
- B3110T.Z3 Additional set 3 (door 2601 - 3000 mm)
- B3110T.S1 Strike plate set 1  
(1-wing, for all heights)
- B3110T.S2 Strike plate set 2  
(2-wing, for all heights)

### Design

Material	Metal
Surface	Zinc-plated
Fixing material	Included

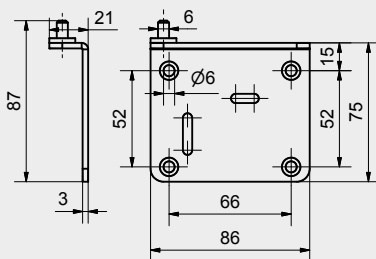


### B3110T Example of use

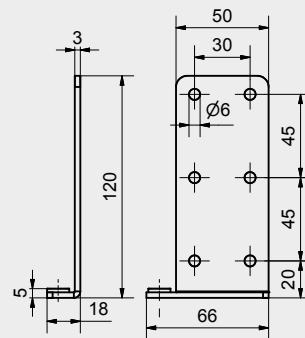


Hinge frame section, left

Hinge door panel section, left



Hinge frame section, left  
(right on the opposite side)



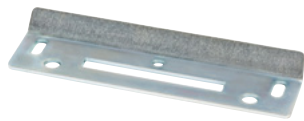
Hinge door panel section, left  
(right on the opposite side)

# B3110T

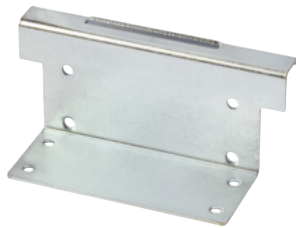
## Set of fittings for riser duct and electrical fronts



**Hinge guide frame section**



**Hinge safety catch frame section**



**Hinge guide door panel section**

### B3110T.1 basic set:

- 1 x hinge door panel section, left
- 1 x hinge door panel section, right
- 1 x hinge part of frame, left
- 1 x hinge part of frame, right
- 2 x lay plates at 14 x 1.5 mm
- 8 chipboard screws SK 4.5 x 30
- 12 chipboard screws SK 4.5 x 16
- 1 Hinge guide frame section
- 1 Hinge guide door panel section
- 10 chipboard screws RK 3.5 x 30
- 10 chipboard screws SK 3.5 x 25

### B3110T.Z1 Additional set 1

- (door height 1500 to 2200 mm):
- 2 hinge safety catches frame section
  - 2 hinge guides door panel section
  - 4 chipboard screws RK 3.5 x 30
  - 4 chipboard screws SK 3.5 x 15

### B3110T.Z2 Additional set 2

- (door height 2201 to 2600 mm):
- 3 hinge safety catches frame section
  - 3 hinge guides door panel section
  - 6 chipboard screws RK 3.5 x 30
  - 6 chipboard screws SK 3.5 x 15

### B3110T.Z3 Additional set 3

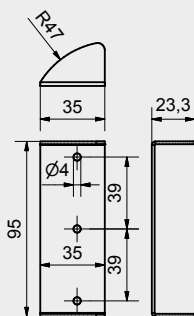
- (door height 2601 to 3000 mm):
- 4 hinge safety catches frame section
  - 4 hinge guides door panel section
  - 8 chipboard screws RK 3.5 x 30
  - 8 chipboard screws SK 3.5 x 15

### B3110T.S1 strike plate set 1

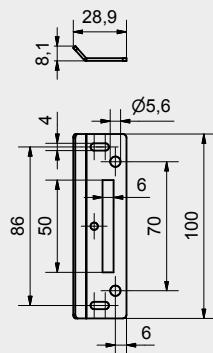
- (1-wing, for all heights):
- 2 hinge safety catches frame section
  - 4 chipboard screws RK 3.5 x 125

### B3110T.S2 strike plate set 2

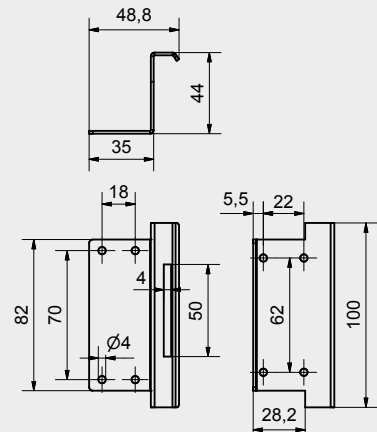
- (2-wing, for all heights):
- 2 hinge guides door panel section
  - 4 chipboard screws RK 3.5 x 15



**Hinge guide frame section**



**Hinge safety catch frame section**



**Hinge guide door panel section**

# 3120

## Espagnolette lock for Euro profile half cylinder



### Purpose of use

Cupboard doors in offices and industrial buildings, hotels, hospitals and homes for the elderly. Simple to retrofit the TERZA thanks to the same bolt dimensions, identical bar and cleat.

### Standard version

Material	Metal / plastic
Surface	Nickel-plated
Bolt dimensions	38 mm
For bars	8x7 mm continuous
Cylinder	Euro profile half cylinder 17 mm
Direction	Left/right/drawer, can be used without conversion

### Special versions

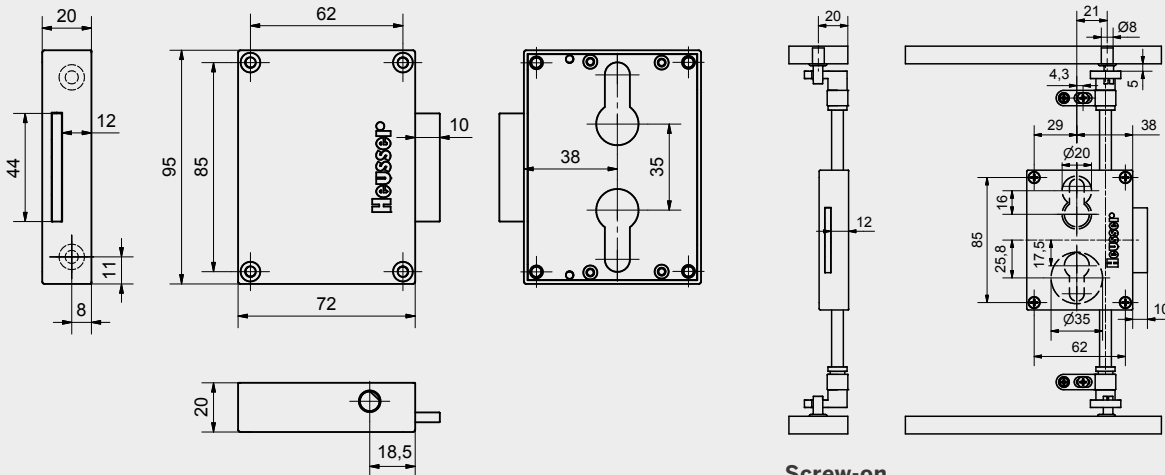
- Continuous cylinder cut-out
- Bar can only be closed upwards

### 3120



### Accessories on the following page

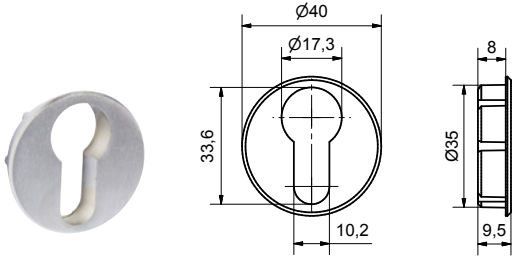
### Example of use



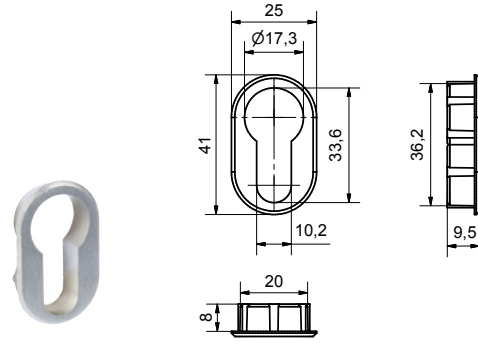
Screw-on

# 3120 Accessories

## Rosettes



R3120R



R3120O

## Additional accessories



3037N



3038N



3037N Omega



3038N Omega



3047N  
S/W



3048N  
S/W



3043N



3043N Omega



3070N



3040N



3041-12N



3041-14N



3023N



3023SN



3025N



3026N



3028N



3029N



3030N



3031W



■ 2422

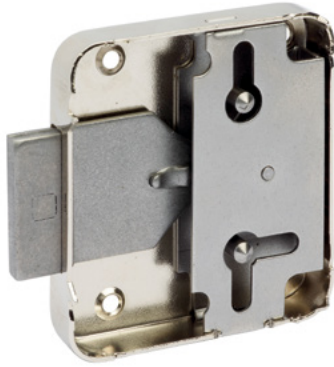
Screw-on lock

2424

Screw-on lock



2422



2424

**2422 screw-on lock**

**Purpose of use**

Screw-on furniture lock for cupboard doors and drawers.

**Standard version**

Material	Steel
Surface	Nickel-plated
Bolt dimensions	30 / 40 / 50 mm
Direction	Left/right and drawers
Closure	Lock designed for KABA 1008c/M44

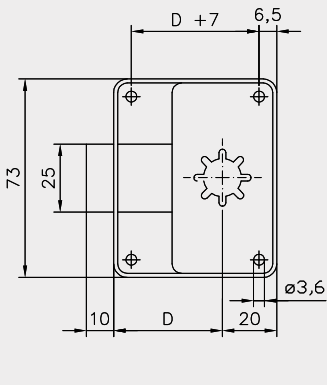
**2424 screw-on lock**

**Purpose of use**

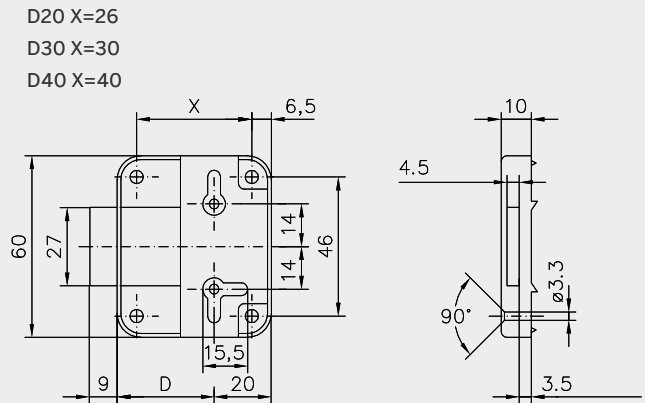
Screw-on furniture lock.

**Standard version**

Material	Steel
Surface	Nickel-plated
Bolt dimensions	20 / 30 / 40 mm
Direction	Left/right and drawers
Closure	Euro closure
Keys	1 x 3075N key including



2422



2424

# 2430W

## Drop latch



**2430W** Signal white RAL 9003



**Example of use**

### Purpose of use

Self-closing latch lock for drawers, small furniture doors, e.g. in health care

### Standard version

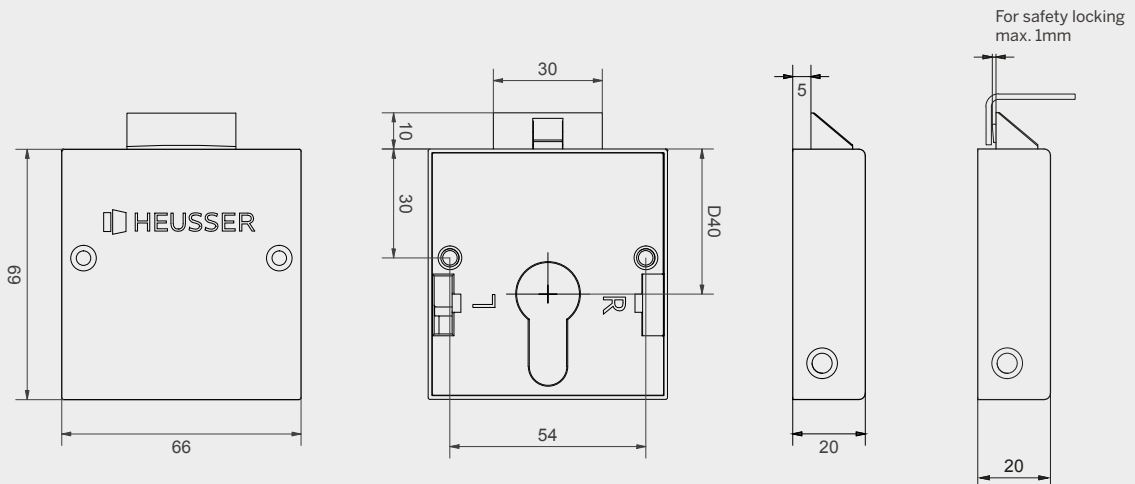
Material	Zinc
Surface	Antibacterial lacquered signal white RAL 9003 IGP DURA®care Liquid
Trap	Self-closing
Bolt dimensions	40 mm
Cylinder	17 mm Euro profile half cylinder
Direction	Can be adjusted to left/right

### Accessories (included)

Locking plate 3041-12N including screws  
Lock fixing screws

### Accessories

Rosette	R3120R R3120O
---------	------------------



# 2430A

## Drop latch



2430A Anthracite grey RAL 7016



Example of use

### Purpose of use

Self-closing latch lock for drawers, small furniture doors, e.g. in health care

### Standard version

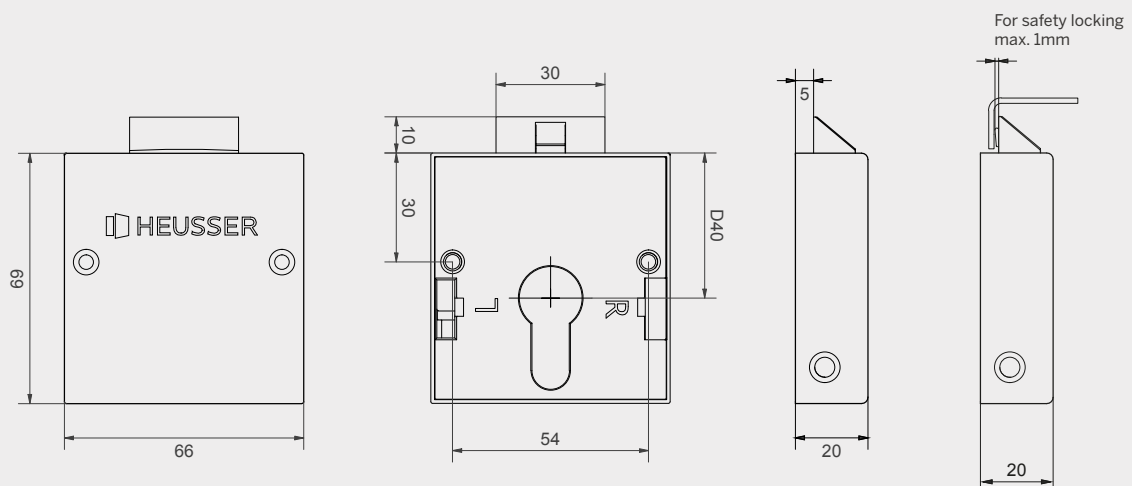
Material	Zinc
Surface	antibacterial lacquered anthracite grey RAL 7016 GP DURA@care Liquid
Trap	Self-closing
Bolt dimensions	40 mm
Cylinder	17 mm Euro profile half cylinder
Direction	Can be adjusted to left/right

### Accessories (included)

Locking plate 3041-12N including screws  
Lock fixing screws

### Accessories

Rosette	R3120R R31200
---------	------------------



# 2425 Drop latch



2425 Front side



2425 Back side

### Purpose of use

Drop latch for drawers, small cupboard doors etc.

### Standard version

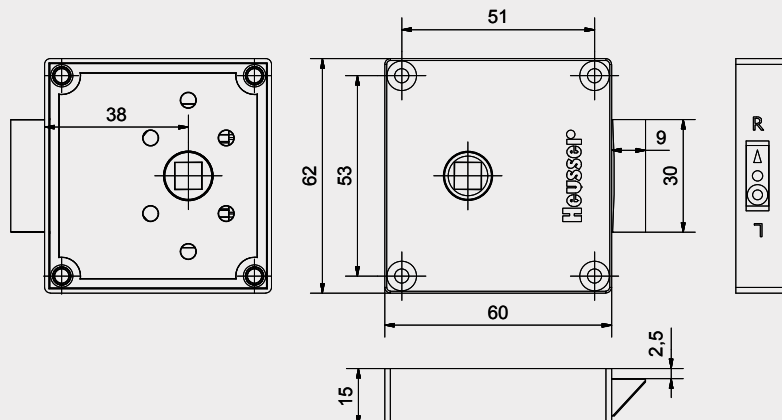
Material	Zinc
Surface	Nickel-plated
Bolt dimensions	38 mm
Socket	7 mm
Direction	Can be adjusted to left/right

### Matching cylinder

Brand/type	KABA / 1057 ASSA ABLOY / X3.145 SEA / 4.082.10.00
------------	---

### Accessories

Rotary handle installation	Combo casing 3080-2, 3087 rosette with reduction
Cylinder installation	3813 BS plate, 1008A-25 rosette



# 2501 Mortice lock



### Purpose of use

Furniture mortice lock, suitable for left/right and for drawers..

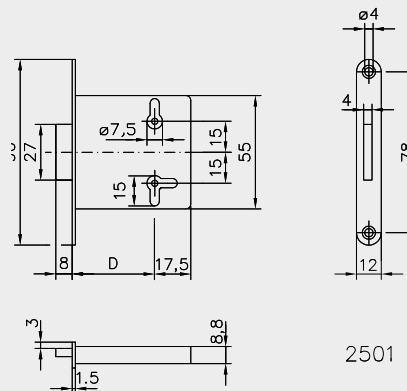
### Standard version

Material	Steel bare / brass
Bolt dimensions	20 / 50 mm
Direction	Left/right and drawers
Closure	Euro closure
Keys	1 x 3075N key including

### Accessories

Strike plate	2699X002
--------------	----------

2501



2501

# 2711

## Screw-on bar lock



### Standard version

Material	Steel / plastic
Surface	Nickel-plated
Bar feed	10 mm
Profile bar	10x3 mm, item 2760
Direction	Left version 2711N199 Right version 2711N299

### 001 accessories

- 1 x 3075N key
- 2 x 2765N002 strike plates
- 2 x 2755N002 bar adhesions
- 1 x KST BS52 key finder

### 002 accessories

- 2 x 2765N002 strike plates
- 2 x 2755N002 bar adhesions
- 1 x BS50 cylinder plate

### Accessories on page 56

### Assembly instructions

Bar installation only possible on bolted locks. BS50/BS50A: Screws M2,3x6 (head-Ø3.5 mm), Torque max.: 12 Ncm

### Matching cylinder

Cylinder	Type	Tappet	Plate
KABA	1008c	M46	BS50
KESO	23.008	E250/03	BS50
SEA	4.022.03	T09.758.009	BS50
FIRST	1615	3355	BS50
DOM	2208	M46	BS50A
CES	42	95.136	BS50B

2711



BS52



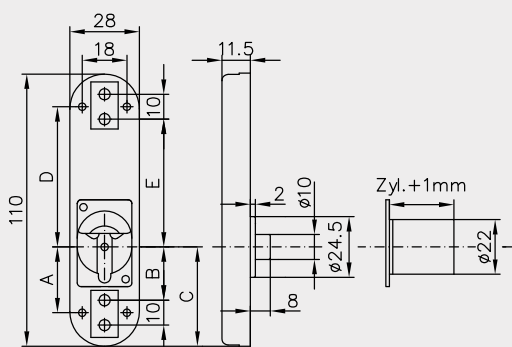
BS50



BS50A

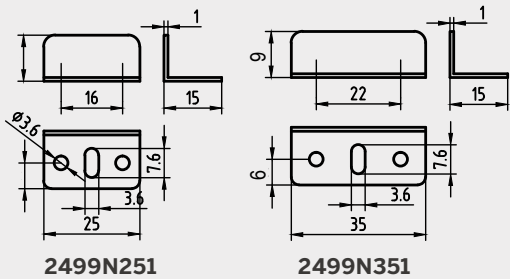


BS50B



	BS52	BS50	BS50A	BS50B
A	26.5	26.5	28.5	29.5
B	21	21	23	24
C	40	40	42	43
D	56.5	56.5	54.5	53.5
E	51	51	49	48

# Furniture lock accessories



2499N251

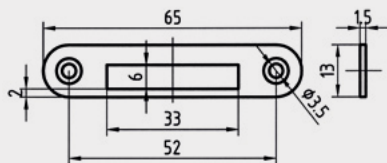
2499N351

## Bracket

Material	Steel
Surface	Nickel-plated
2499N251	25 mm
2499N351	35 mm

## Flat strike plate

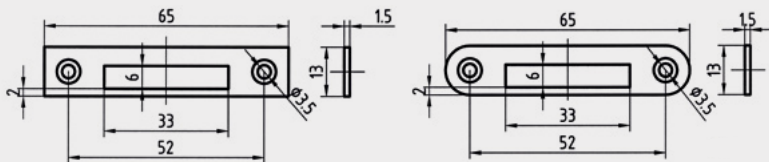
Material	Steel
Surface	Nickel-plated
2599N002	Round



2599N002

## Flat strike plate

Material	Brass
Surface	N = nickel-plated X = bare
2699N001 / 2699X001	Angular
2699N002 / 2699X002	Round

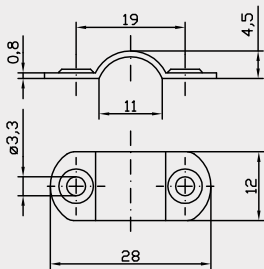


2699N001

2699N002

## Bar adhesion

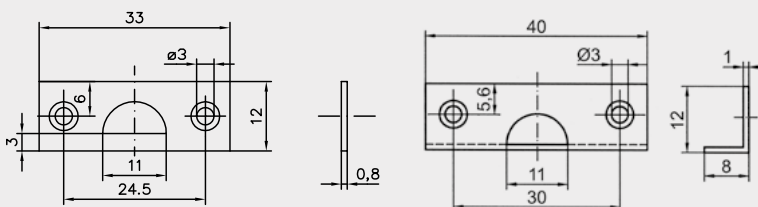
Material	Steel
Surface	Nickel-plated
2755N002	Profile 10 x 3 mm



2755N002

## Strike plate

Material	Steel
Surface	Nickel-plated
2765N002	Profile 10 x 3 mm
2765N003	Profile 10 x 3 mm

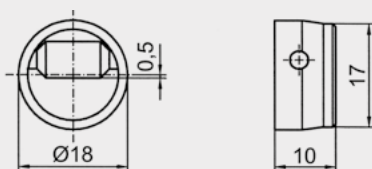


2765N002

2765N003

## Roller bracket

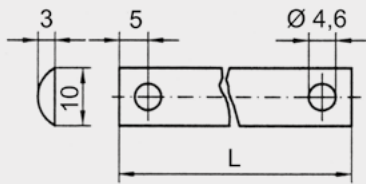
Material	Aluminium
Surface	Bare
2765X006	
Material	Nylon
Colour	2765W007 W = white 2765B007 B = brown



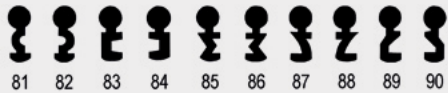
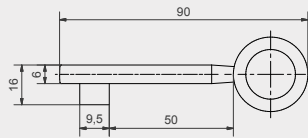
2765

# Furniture lock accessories

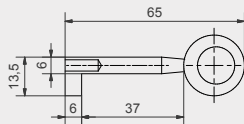
## Bars / keys



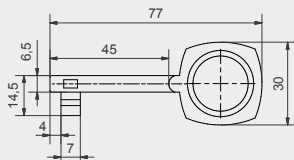
2760



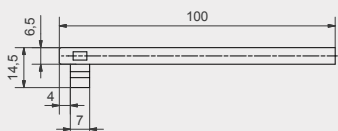
3061



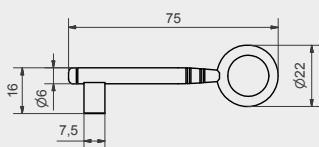
3075



3090



3091



7453

### Bars

Material:	Steel
Surface:	Nickel-plated
2760N050	Length 500 mm
2760N085	Length 850 mm
2760N100	Length 1000 mm
2760N125	Length 1250 mm
2760N150	Length 1500 mm

### Keys

#### 3061

Keys in 10 upsweeps

For: 3101

- Nickel-plated malleable iron

#### 3075

EURO keys

For: 2424, 2501, 2601, 2711

- 3075N = nickel-plated brass
- 3075G = gold-plated brass

#### 3090

Keys in 6 upsweeps

For: TERZA

- 3090N = nickel-plated zinc
- 3090G = gold-plated zinc

#### 3091

Key bar in 6 upsweeps, without bow

For: TERZA

- Plain brass

#### 7453

Keys in 8 upsweeps

For: 2407, 2421

- Nickel-plated malleable iron

# 2903 Shutter lock



2903 Strike plate

2903

### Purpose of use

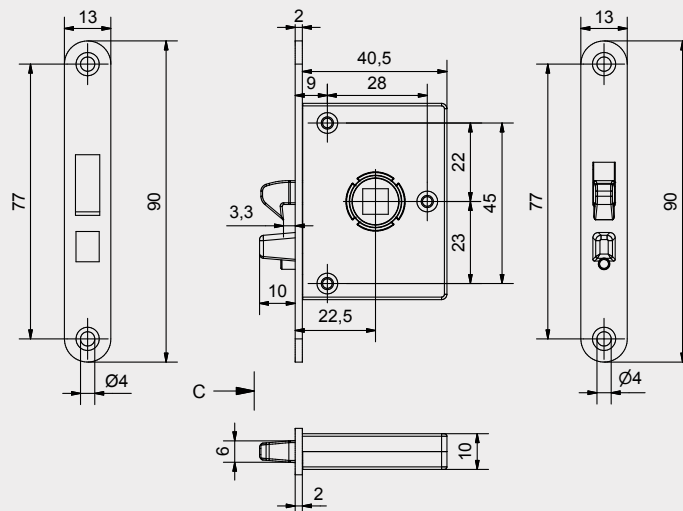
Shutter bracket for furniture cylinders, can be integrated into locking systems.

### Standard version

Material	Metal
Surface	Zinc-plated
Bolt dimensions	22 mm
Socket	7mm
Direction	Can be used without migration left or right
Strike plate	Included

### Matching cylinder (rod length 10.5 mm)

Cylinder	Type
KABA	1057
ASSA ABLOY	X3.145
SEA	4.082.10.00



# 2720

## Closing handle for furniture shutters



2720



Example of use

### Purpose of use

Self-closing handle to lock standard cupboard shutters for use in administration, hotels and hospitals.

A shuttered cupboard can be locked in just a few steps: existing handles can be replaced by the 2720 locking handles and two strike plates can be affixed to the sides.

### REHAU designs

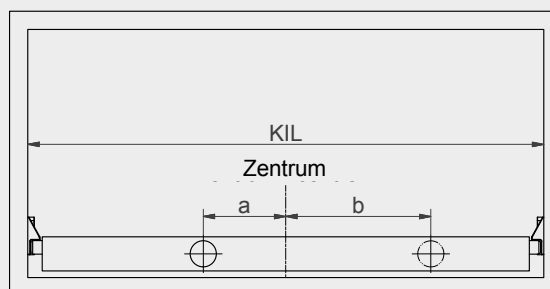
Locking handle without cylinder with two side strike plates in a range of designs:

- Design for furniture cylinder with square (KIL min. 300 mm)
- Design for Euro profile half cylinder 17 mm (KIL min. 505 mm)

### Order details

Surface	Real aluminium or steel-look
Length	KIL (interior body light)
Design	Version 1, version 2 or Version 3 (see following page)
Cylinder	Furniture cylinder design (Square) or Euro profile Half cylinder
Cylinder position	Central or in accordance with schematic
Lock opening	Clockwise or counter-clockwise

Can be integrated into lock system / cylinder retroactively



Cylinder position schematic

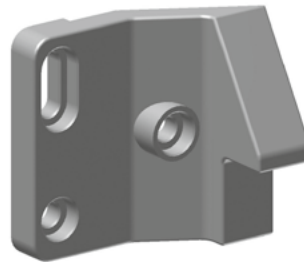
# 2720

## Closing handle for furniture shutters

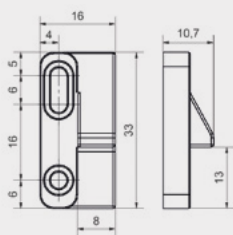
	Runners	Strike plate type
Version 1		2720.10
Version 2		2720.10
Version 3		2720.20



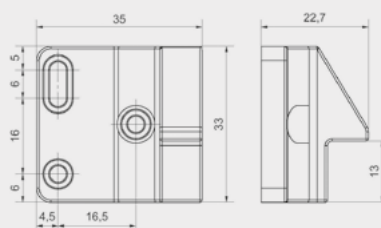
2720.10 Strike plate



2720.20 Strike plate



2720.10



2720.20

# ■ Door solutions

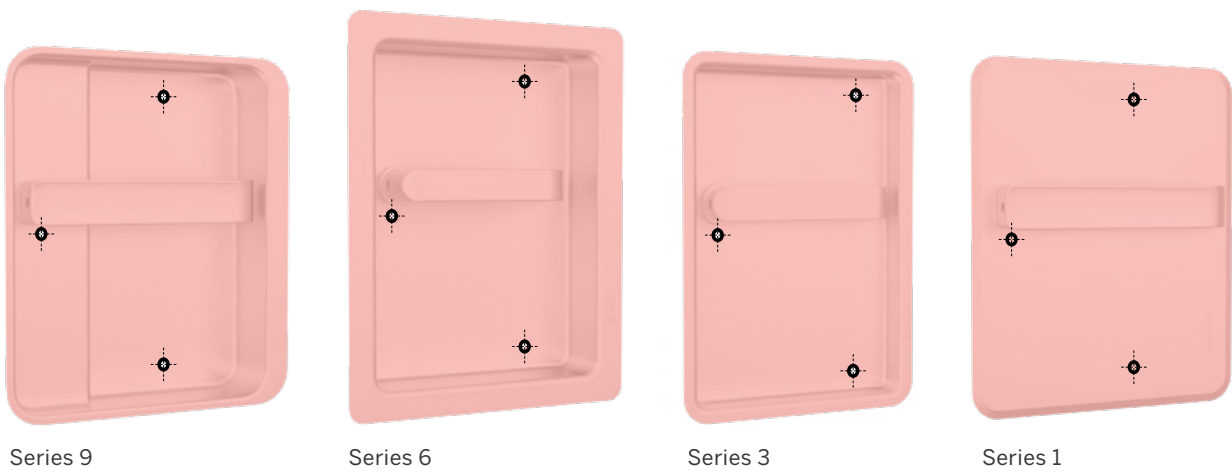
## Content



# ■ New generation HEUSSER-Inset Locks For secure fastening in the door leaf

Four series - one uniform screw connection. The characteristics of the new generation:

- dental hole pattern
- mutual screwing by fastening set
- secure fastening in the door leaf
- new safety standard for escape doors



**Download**



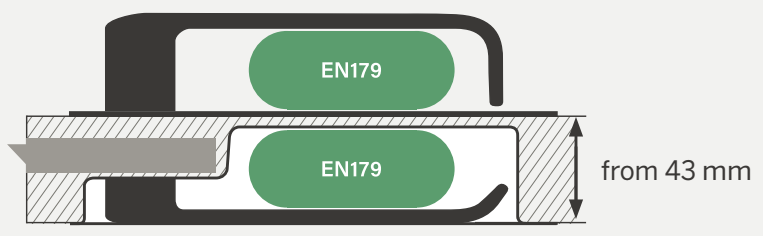


# ■ Certified security

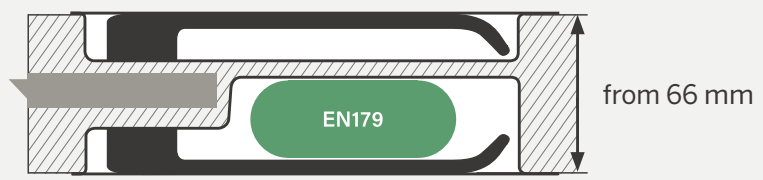
## Heusser-Inset Locks according to EN 179 for your construction projects

- smooth approval of the building thanks to certified HEUSSER-Inset Locks
- according to EN 179 standard tested by the institutes ift, MPA
- with various lock manufacturers

**Application example 1**  
for double-sided escape doors  
S9.42.D3 combined with S1.0.D4



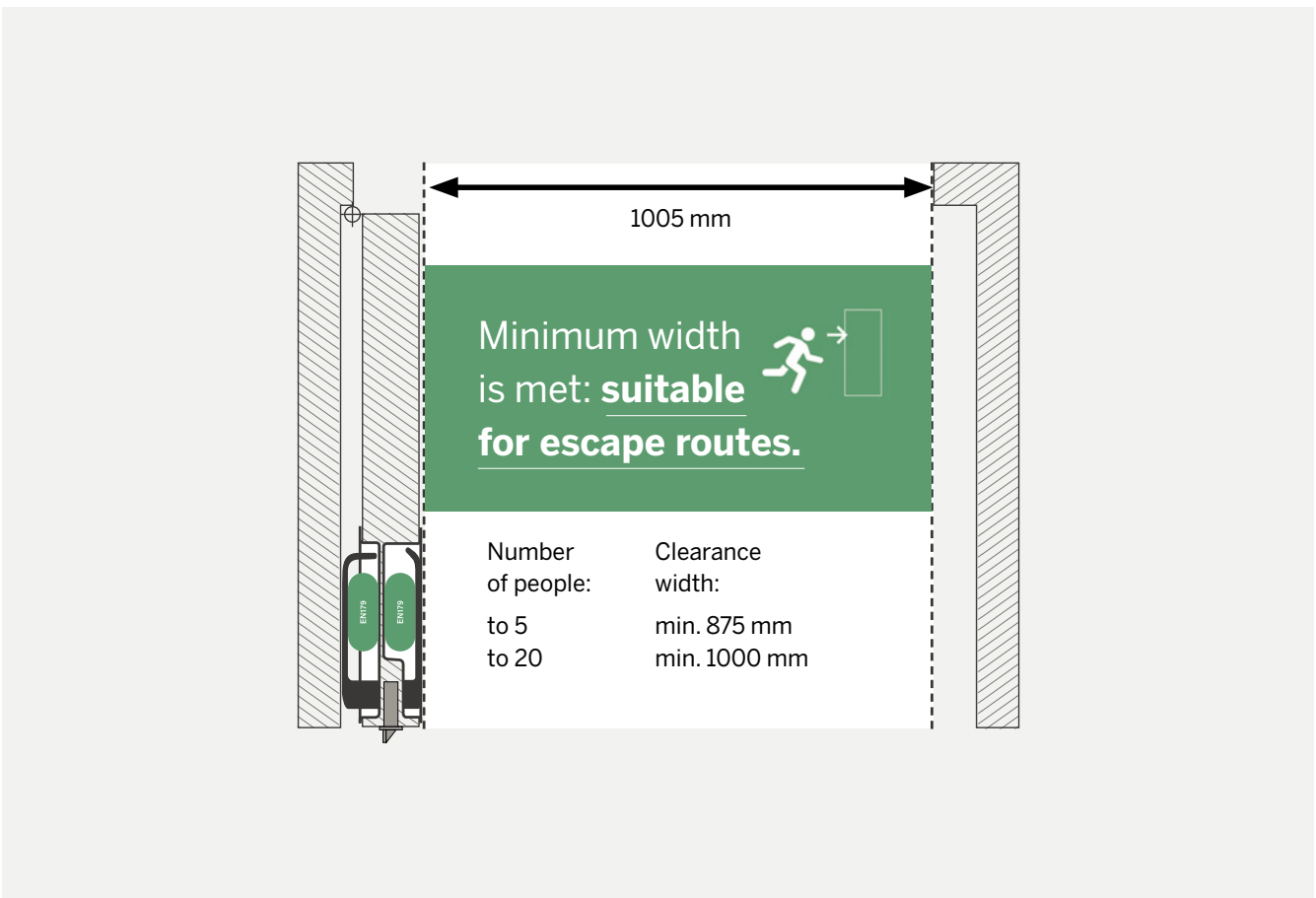
**Application example 2**  
for sliding doors and wicket doors  
S9.42.D3 combined with S9.20.D3



# ■ Less is more

## Achieve lower construction costs with flush-mounted Heusser-Inset Locks

- extend passage width / clearance width
- narrower corridor
- lower space requirement



## ■ Architectural harmony Heusser-Inset Locks in desired colors

- painted, powder-coated in RAL, NCS, metal look
- metallic surfaces such as brass-plated, burnished
- suitable for your high-quality object



## ■ Securely closed

### Double-leaf doors without open standing wing doors

- marking the operating order for users
- by coloring the handle in green, red



# HEUSSER-Inset Locks Series 9



**S9.42.D3**  
Tray depth: 42 mm  
Handle overlap: 0 mm



**S9.20.D3**  
Tray depth: 20 mm  
Handle overlap: 0 mm



**S9.13.D3**  
Tray depth: 13 mm  
Handle overlap: 7 mm



**S9.42.D4**  
Tray depth: 42 mm  
Handle overlap: 24,5 mm



**S9.20.D4**  
Tray depth: 20 mm  
Handle overlap: 24,5 mm



**S9.13.D4**  
Tray depth: 13 mm  
Handle overlap: 31,5 mm

# HEUSSER-Inset Locks Series 6



**S6.42.D2**  
Tray depth: 42 mm  
Handle overlap: 4 mm



**S6.20.D2**  
Tray depth: 20 mm  
Handle overlap: 26 mm



**S6.13.D2**  
Tray depth: 13 mm  
Handle overlap: 33 mm



**S6.20.D1**  
Tray depth: 20 mm  
Handle overlap: 0 mm



**S6.13.D1**  
Tray depth: 13 mm  
Handle overlap: 7 mm

# HEUSSER-Inset Locks Series 3



**S3.20.D1**  
Tray depth: 20 mm  
Handle overlap: 0 mm



**S3.13.D1**  
Tray depth: 13 mm  
Handle overlap: 7 mm



**S3.20.D2**  
Tray depth: 20 mm  
Handle overlap: 26 mm



**S3.13.D2**  
Tray depth: 13 mm  
Handle overlap: 33 mm

# HEUSSER-Inset Locks Series 1



**S1.0.D1**  
Handle overlap: 20 mm



**S1.0.D2**  
Handle overlap: 46 mm



**S1.0.D3**  
Handle overlap: 20 mm



**S1.0.D4**  
Handle overlap: 44,5 mm



**S1.0.D7**  
Handle overlap: 57 mm



Emergency doors suitable and tested according to DIN EN179



flush-mounted handle

# S9.42.D3 HEUSSER-Inset Lock

## Tray depth 42 mm / flush-mounted handle



S9.42.D3 Handle right side



### Purpose of use

For emergency doors according to EN 179 flush handle in sports halls, sliding doors, pass doors and fire safety doors. Shallow installation depth in the lock area thanks to the two-stage design.

### Design

Material	Stainless steel 1.4404   AISI 316L
Surface	Polished
Socket	9 mm
Handle	With hex screw Guide 16 mm Hex key included

### Order details

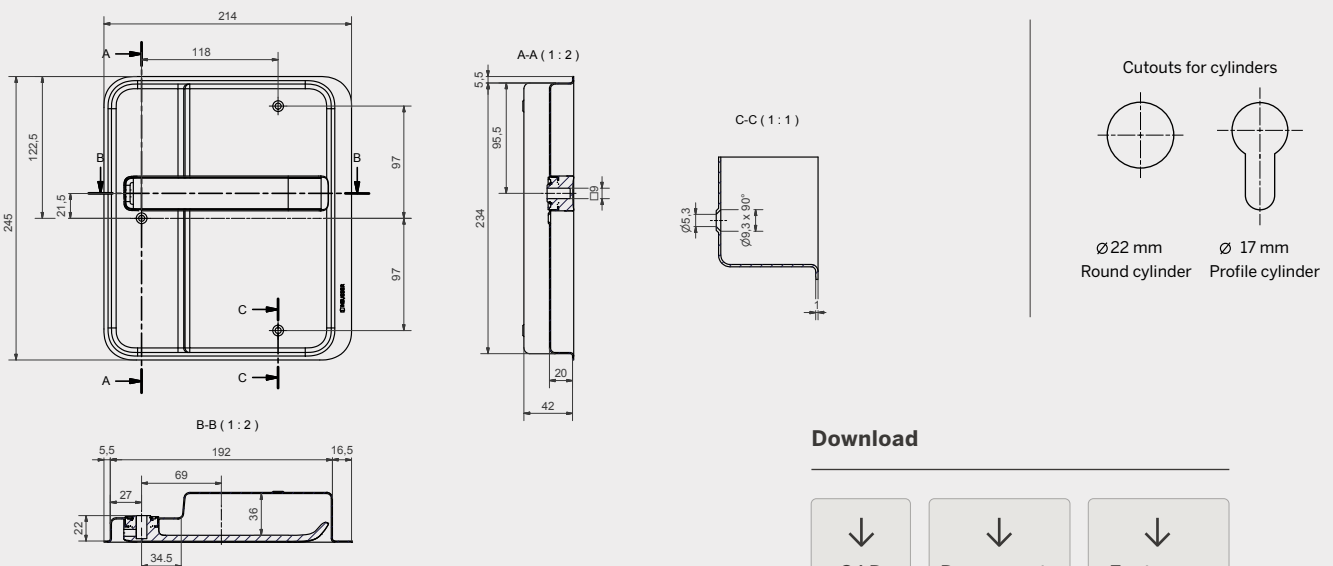
Spacing	S9.42.D3.0 blind
	S9.42.D3.2 RZ-74, 78, 94 mm
	S9.42.D3.3 PZ-72, 78, 88, 92 mm
Direction	Right/left

### Accessories

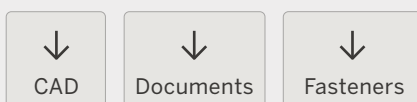
Screw set for opposite screwing.

### Custom versions

Custom finishes are available in RAL, NCS, or metallic colors, painted or powder-coated. Additional options are available upon request.



### Download



# ■ S9.42.D4 HEUSSER-Inset Lock

## Tray depth 42 mm / overlap 24,5 mm



S9.42.D4 Handle right side



### Purpose of use

For escape doors according to EN 179 suitable handle for pass doors and fire protection doors. Shallow installation depth in the lock area thanks to the two-stage design.

### Design

Material	Stainless steel 1.4404   AISI 316L
Surface	Polished
Socket	9 mm
Handle	With hex screw Guide 16 mm Hex key included

### Order details

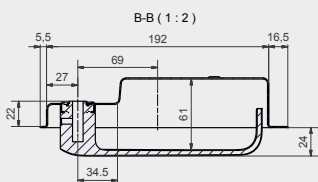
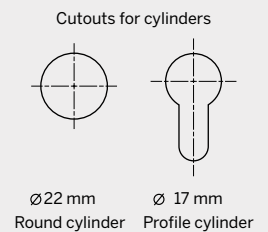
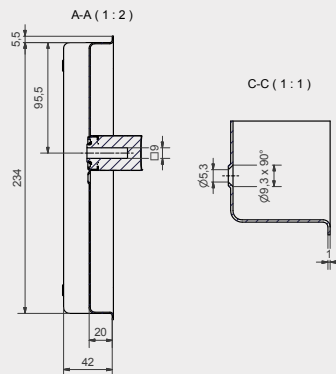
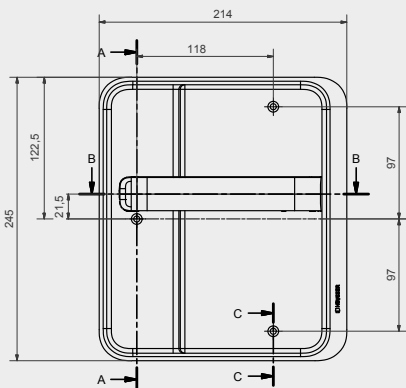
Spacing	S9.42.D4.0 blind S9.42.D4.2 RZ-74, 78, 94 mm S9.42.D4.3 PZ-72, 78, 88, 92 mm
Direction	Right/left

### Accessories

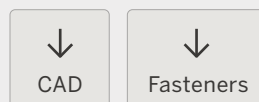
Screw set for opposite screwing.

### Custom versions

Custom finishes are available in RAL, NCS, or metallic colors, painted or powder-coated. Additional options are available upon request.



### Download



# S9.20.D3 HEUSSER-Inset Lock

## Tray depth 20 mm / flush-mounted handle



S9.20.D3 Handle right side



EDEL-STAHL



### Purpose of use

Flush handle in sports halls, sliding doors, pass doors and fire safety doors. Not suitable for emergency exits in accordance with EN 179.

### Design

Material	Stainless steel 1.4404   AISI 316L
Surface	Polished
Socket	9 mm
Handle	With hex screw Guide 16 mm Hex key included

### Order details

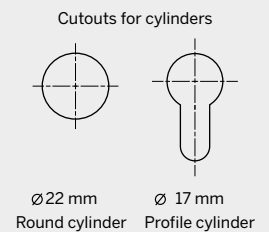
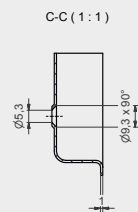
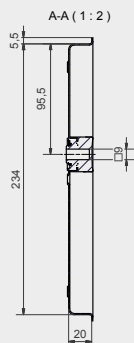
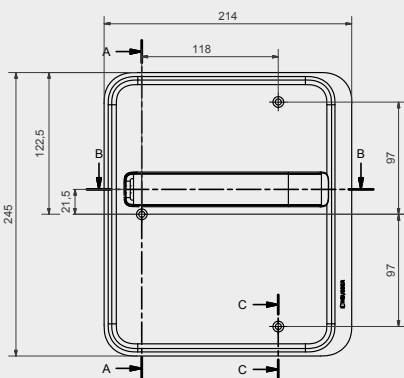
Spacing	S9.20.D3.0 blind
	S9.20.D3.2 RZ-74, 78, 94 mm
	S9.20.D3.3 PZ-72, 78, 88, 92 mm
Direction	Right/left

### Accessories

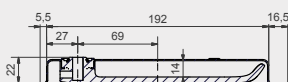
Screw set for opposite screwing.

### Custom versions

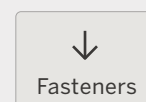
Custom finishes are available in RAL, NCS, or metallic colors, painted or powder-coated. Additional options are available upon request.



B-B (1:2)



### Download



# ■ S9.20.D4 HEUSSER-Inset Lock

## Tray depth 20 mm / overlap 24,5 mm



S9.20.D4 Handle right side



### Purpose of use

For escape doors according to EN 179 suitable handle for pass doors and fire protection doors.

### Design

Material	Stainless steel 1.4404   AISI 316L
Surface	Polished
Socket	9 mm
Handle	With hex screw Guide 16 mm Hex key included

### Order details

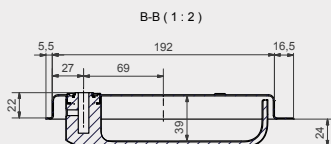
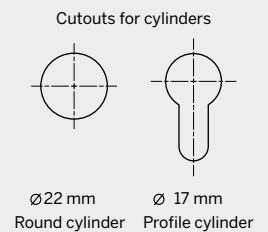
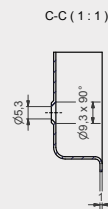
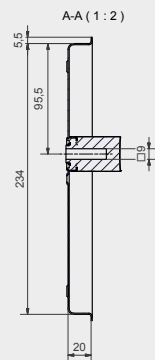
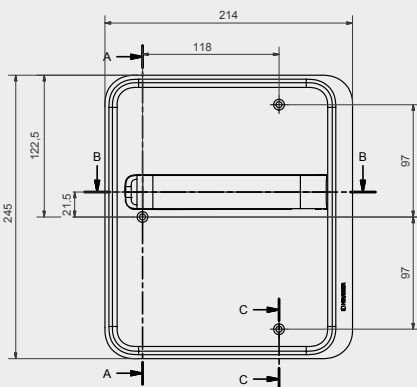
Spacing	S9.20.D4.0 blind S9.20.D4.2 RZ-74, 78, 94 mm S9.20.D4.3 PZ-72, 78, 88, 92 mm
Direction	Right/left

### Accessories

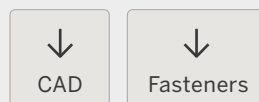
Screw set for opposite screwing.

### Custom versions

Custom finishes are available in RAL, NCS, or metallic colors, painted or powder-coated. Additional options are available upon request.



### Download



# S9.13.D3 HEUSSER-Inset Lock

## Tray depth 13 mm / overlap 7 mm



S9.13.D3 Handle right side



### Purpose of use

Handle in sports halls, sliding doors, pass doors and fire safety doors. Not suitable for emergency exits in accordance with EN 179.

### Design

Material	Stainless steel 1.4404   AISI 316L
Surface	Polished
Socket	9 mm
Handle	With hex screw Guide 16 mm Hex key included

### Order details

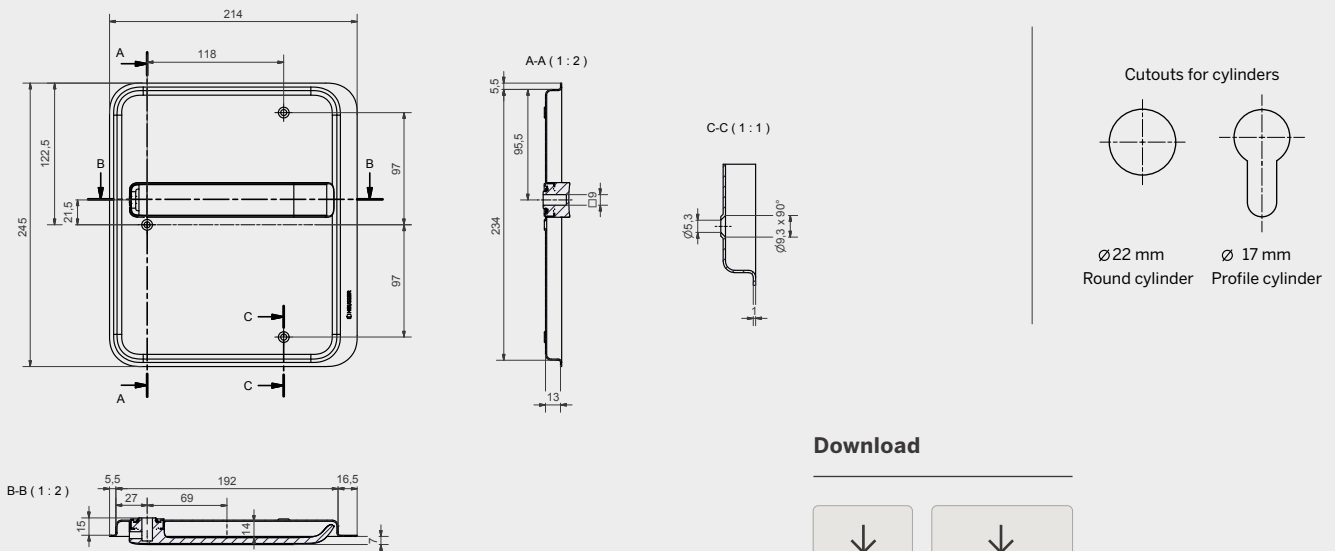
Spacing	S9.13.D3.0 blind S9.13.D3.2 RZ-74, 78, 94 mm S9.13.D3.3 PZ-72, 78, 88, 92 mm
Direction	Right/left

### Accessories

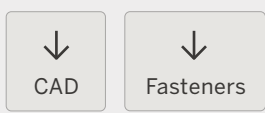
Screw set for opposite screwing.

### Custom versions

Custom finishes are available in RAL, NCS, or metallic colors, painted or powder-coated. Additional options are available upon request.



### Download



# S9.13.D4 HEUSSER-Inset Lock

## Tray depth 20 mm / overlap 31,5 mm



S9.13.D4 Handle right side



### Purpose of use

For escape doors according to EN 179 suitable handle for pass doors and fire protection doors.

### Design

Material	Stainless steel 1.4404   AISI 316L
Surface	Polished
Socket	9 mm
Handle	With hex screw Guide 16 mm Hex key included

### Order details

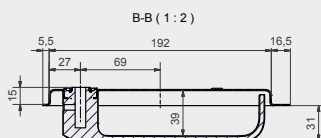
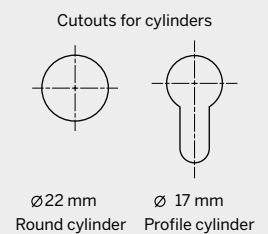
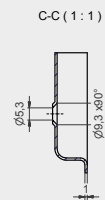
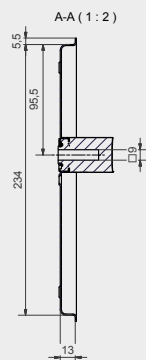
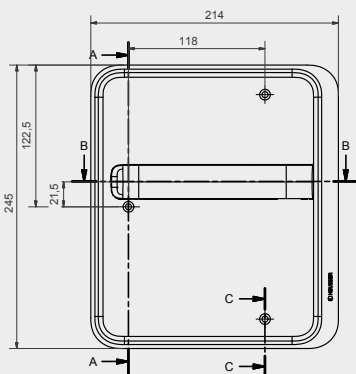
Spacing	S9.13.D4.0 blind S9.13.D4.2 RZ-74, 78, 94 mm S9.13.D4.3 PZ-72, 78, 88, 92 mm
Direction	Right/left

### Accessories

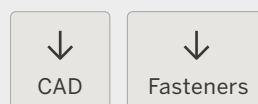
Screw set for opposite screwing.

### Custom versions

Custom finishes are available in RAL, NCS, or metallic colors, painted or powder-coated. Additional options are available upon request.



### Download



# S6.42.D2 HEUSSER-Inset Lock

## Tray depth 42 mm / overlap 7 mm



### Purpose of use

For emergency doors according to EN 179 flush handle in sports halls, sliding doors, pass doors and fire safety doors.

### Design

Material	Stainless steel 1.4404   AISI 316L
Surface	Polished
Socket	9 mm
Handle	With hex screw Guide 16 mm Hex key included

### Order details

Spacing	S6.42.D2.0 blank S6.42.D2.2 RZ-74, 78, 94 mm S6.42.D2.3 PZ-72, 78, 88, 92 mm
Direction	Right/left

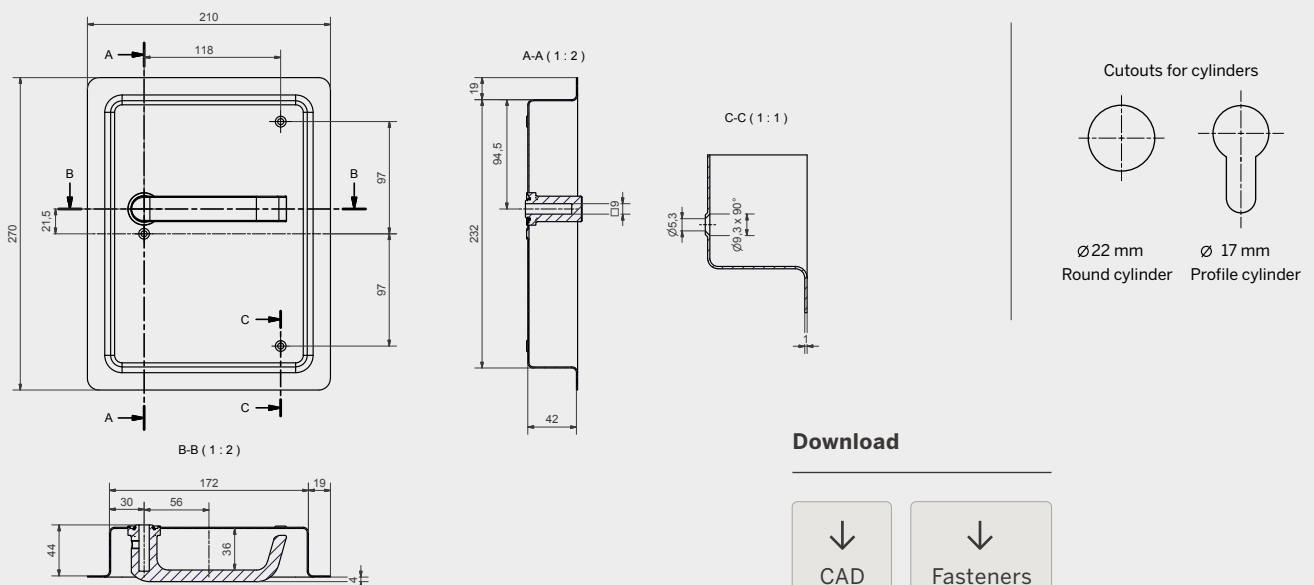
### Accessories

Screw set for opposite screwing.

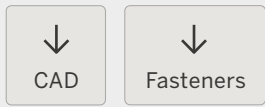
### Custom versions

Custom finishes are available in RAL, NCS, or metallic colors, painted or powder-coated. Additional options are available upon request.

S6.42.D2 Handle right side



### Download





# S6.20.D2 HEUSSER-Inset Lock

## Tray depth 20 mm / overlap 26 mm



S6.20.D2 Handle right side



### Purpose of use

For escape doors according to EN 179 suitable handle for pass doors and fire protection doors.

### Design

Material	Stainless steel 1.4404   AISI 316L
Surface	Polished
Socket	9 mm
Handle	With hex screw Guide 16 mm Hex key included

### Order details

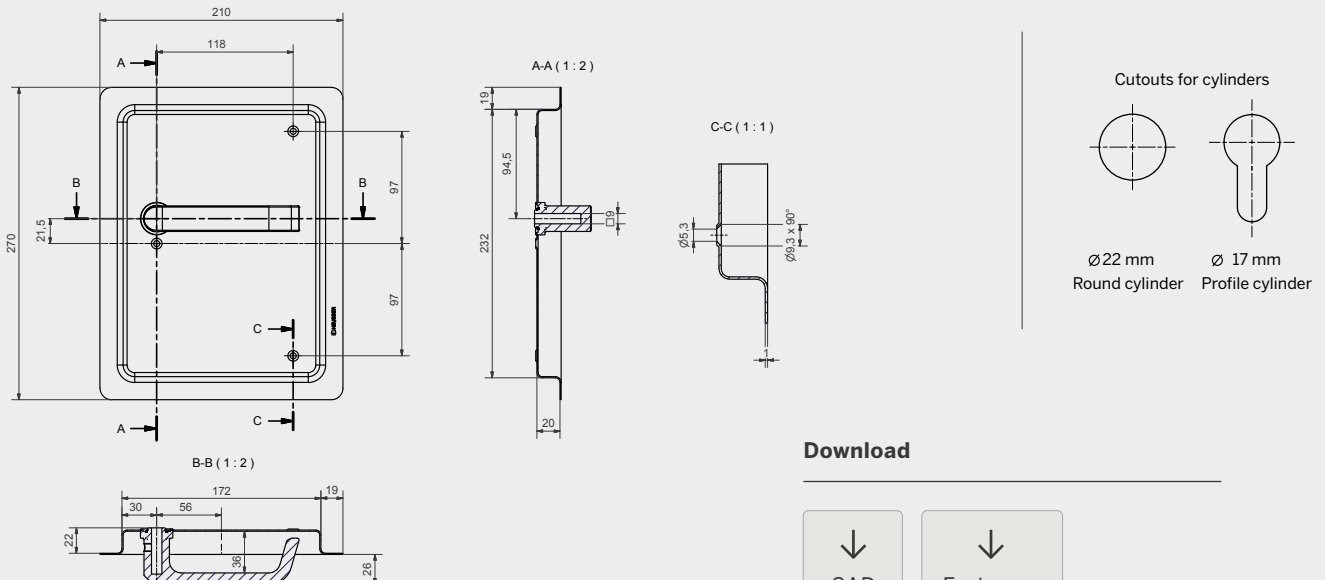
Spacing	S6.20.D2.0 blank S6.20.D2.2 RZ-74, 78, 94 mm S6.20.D2.3 PZ-72, 78, 88, 92 mm
Direction	Right/left

### Accessories

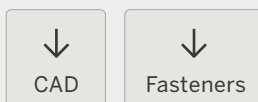
Screw set for opposite screwing.

### Custom versions

Custom finishes are available in RAL, NCS, or metallic colors, painted or powder-coated. Additional options are available upon request.



### Download



# ■ S6.20.D1 HEUSSER-Inset Lock

## Tray depth 20 mm / flush-mounted handle



**S6.20.D1** Handle right side



### Purpose of use

Flush flush-mounted handle in sports halls, sliding doors, pass doors and fire safety doors.  
Not suitable for emergency exits in accordance with EN 179.

### Design

Material	Stainless steel 1.4404   AISI 316L
Surface	polished
Socket	9 mm
Handle	With hex screw Guide 16 mm Hex key included

### Order details

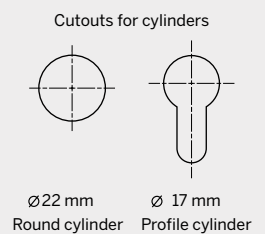
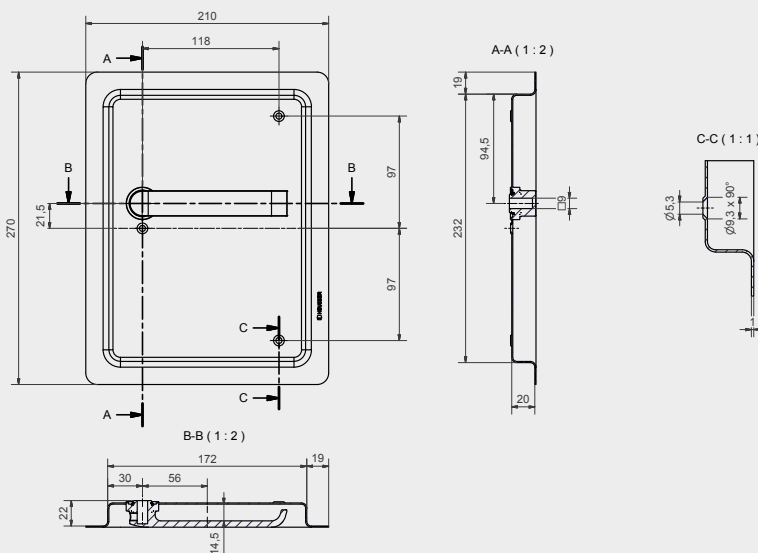
Spacing	S6.20.D1.0 blank S6.20.D1.2 RZ-74, 78, 94 mm S6.20.D1.3 PZ-72, 78, 88, 92 mm
Direction	Right/left

### Accessories

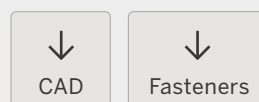
Screw set for opposite screwing.

### Custom versions

Custom finishes are available in RAL, NCS, or metallic colors, painted or powder-coated.  
Additional options are available upon request.



### Download



# S6.13.D2 HEUSSER-Inset Lock

## Tray depth 13 mm / overlap 33 mm



### Purpose of use

For escape doors according to EN 179 suitable handle for pass doors and fire protection doors.

### Design

Material	Stainless steel 1.4404   AISI 316L
Surface	Polished
Socket	9 mm
Handle	With hex screw Guide 16 mm Hex key included

### Order details

Spacing	S3.13.D2.0 blank S3.13.D2.2 RZ-74, 78, 94 mm S3.13.D2.3 PZ-72, 78, 88, 92 mm
Direction	Right/left

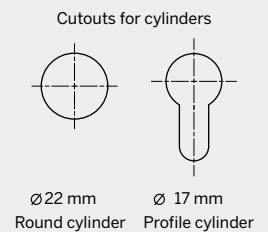
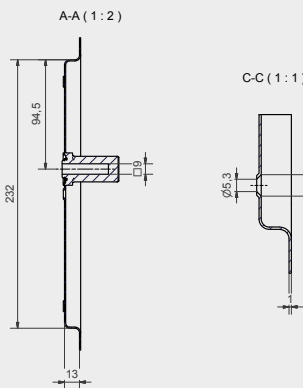
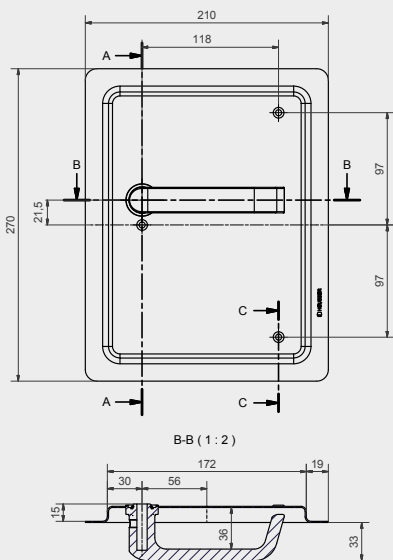
### Accessories

Screw set for opposite screwing.

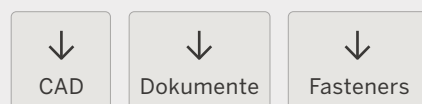
### Custom versions

Custom finishes are available in RAL, NCS, or metallic colors, painted or powder-coated. Additional options are available upon request.

S6.13.D2 Handle right side



### Download



# S6.13.D1 HEUSSER-Inset Lock

Tray depth 13 mm / overlap 7 mm



### Purpose of use

Handle in sports halls, sliding doors, pass doors and fire safety doors. Not suitable for emergency exits in accordance with EN 179.

### Design

Material	Stainless steel 1.4404   AISI 316L
Surface	polished
Socket	9 mm
Handle	With hex screw Guide 16 mm Hex key included

### Order details

Spacing	S3.13.D1.0 blank S3.13.D1.2 RZ-74, 78, 94 mm S3.13.D1.3 PZ-72, 78, 88, 92 mm
Direction	Right/left

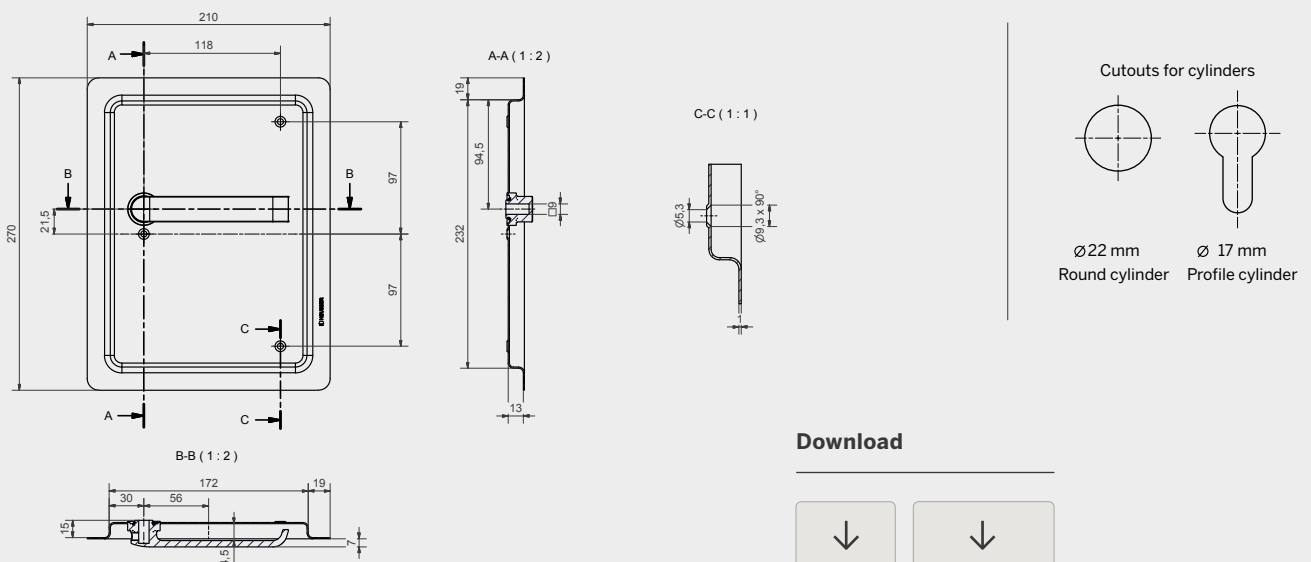
### Accessories

Screw set for opposite screwing.

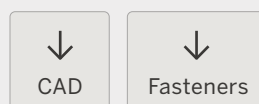
### Custom versions

Custom finishes are available in RAL, NCS, or metallic colors, painted or powder-coated. Additional options are available upon request.

S6.13.D1 Handle right side



### Download



# S3.20.D2 HEUSSER-Inset Lock

## Tray depth 20 mm / overlap 26 mm



S3.20.D2 Handle right side



### Purpose of use

For escape doors according to EN 179 suitable handle for pass doors and fire protection doors.

### Design

Material	Stainless steel 1.4404   AISI 316L
Surface	Polished
Socket	9 mm
Handle	With hex screw Guide 16 mm Hex key included

### Order details

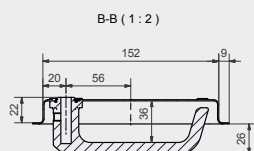
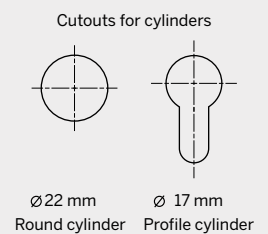
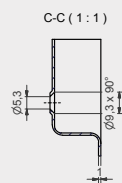
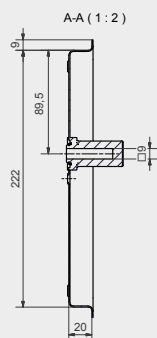
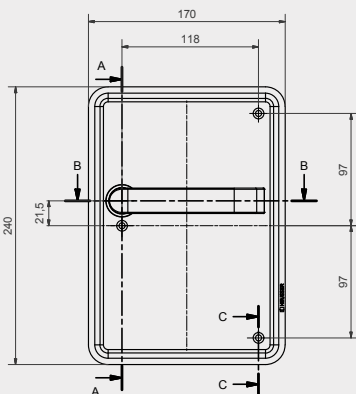
Spacing	S3.20.D2.0 blank S3.20.D2.2 RZ-74, 78, 94 mm S3.20.D2.3 PZ-72, 78, 88, 92 mm
Direction	Right/left

### Accessories

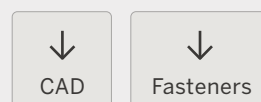
Screw set for opposite screwing.

### Custom versions

Custom finishes are available in RAL, NCS, or metallic colors, painted or powder-coated. Additional options are available upon request.



### Download



# ■ S3.20.D1 HEUSSER-Inset Lock

## Tray depth 20 mm / flush-mounted handle



**S3.20.D1** Handle right side



EDEL-STAHL



### Purpose of use

Flush flush-mounted handle in sports halls, sliding doors, pass doors and fire safety doors. Not suitable for emergency exits in accordance with EN 179.

### Design

Material	Stainless steel 1.4404   AISI 316L
Surface	polished
Socket	9 mm
Handle	With hex screw Guide 16 mm Hex key included

### Order details

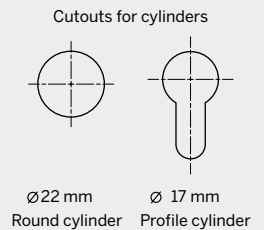
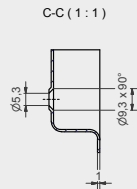
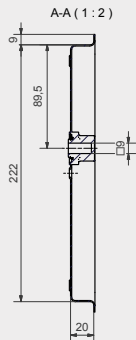
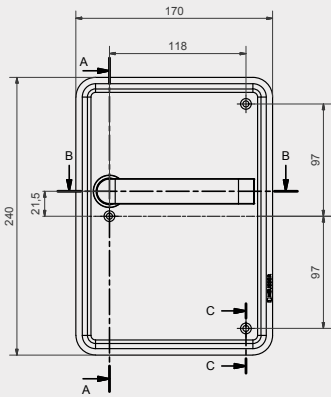
Spacing	S3.20.D1.0 blank S3.20.D1.2 RZ-74, 78, 94 mm S3.20.D1.3 PZ-72, 78, 88, 92 mm
Direction	Right/left

### Accessories

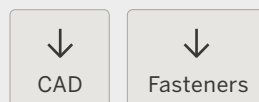
Screw set for opposite screwing.

### Custom versions

Custom finishes are available in RAL, NCS, or metallic colors, painted or powder-coated. Additional options are available upon request.



### Download



# S3.13.D2 HEUSSER-Inset Lock

## Tray depth 13 mm / overlap 33 mm



S3.13.D2 Handle right side



### Purpose of use

For escape doors according to EN 179 suitable handle for pass doors and fire protection doors.

### Design

Material	Stainless steel 1.4404   AISI 316L
Surface	Polished
Socket	9 mm
Handle	With hex screw Guide 16 mm Hex key included

### Order details

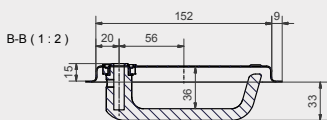
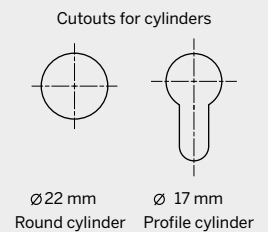
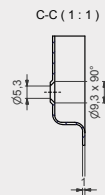
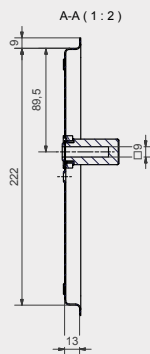
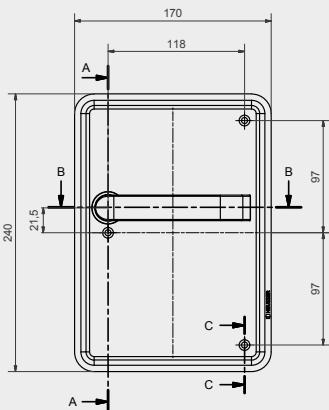
Spacing	S3.13.D2.0 blank S3.13.D2.2 RZ-74, 78, 94 mm S3.13.D2.3 PZ-72, 78, 88, 92 mm
Direction	Right/left

### Accessories

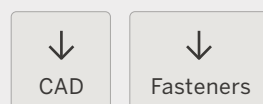
Screw set for opposite screwing.

### Custom versions

Custom finishes are available in RAL, NCS, or metallic colors, painted or powder-coated. Additional options are available upon request.



### Download



# S3.13.D1 HEUSSER-Inset Lock

## Tray depth 13 mm / overlap 7 mm



**S3.13.D1** Handle right side



### Purpose of use

Handle in sports halls, sliding doors, pass doors and fire safety doors. Not suitable for emergency exits in accordance with EN 179.

### Design

Material	Stainless steel 1.4404   AISI 316L
Surface	Polished
Socket	9 mm
Handle	With hex screw Guide 16 mm Hex key included

### Order details

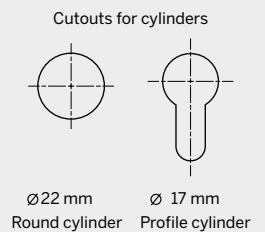
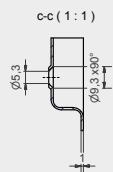
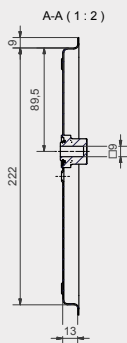
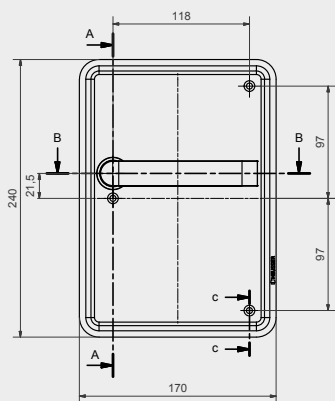
Spacing	S3.13.D1.0 blank S3.13.D1.2 RZ-74, 78, 94 mm S3.13.D1.3 PZ-72, 78, 88, 92 mm
Direction	Right/left

### Accessories

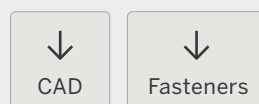
Screw set for opposite screwing.

### Custom versions

Custom finishes are available in RAL, NCS, or metallic colors, painted or powder-coated. Additional options are available upon request.



### Download



# ■ S1.0.D1 HEUSSER-Inset Lock Overlap 20 mm



**S1.0.D1** Handle right side



## Purpose of use

Shield with handle for emergency exit doors doors for invisible mutual screwing with all Heusser insert locks in pass doors and fire protection doors. Not suitable for emergency exits in accordance with EN 179.

## Design

Material	Stainless steel 1.4404   AISI 316L
Surface	Polished
Socket	9 mm
Handle	With hex screw Guide 16 mm Hex key included

## Order details

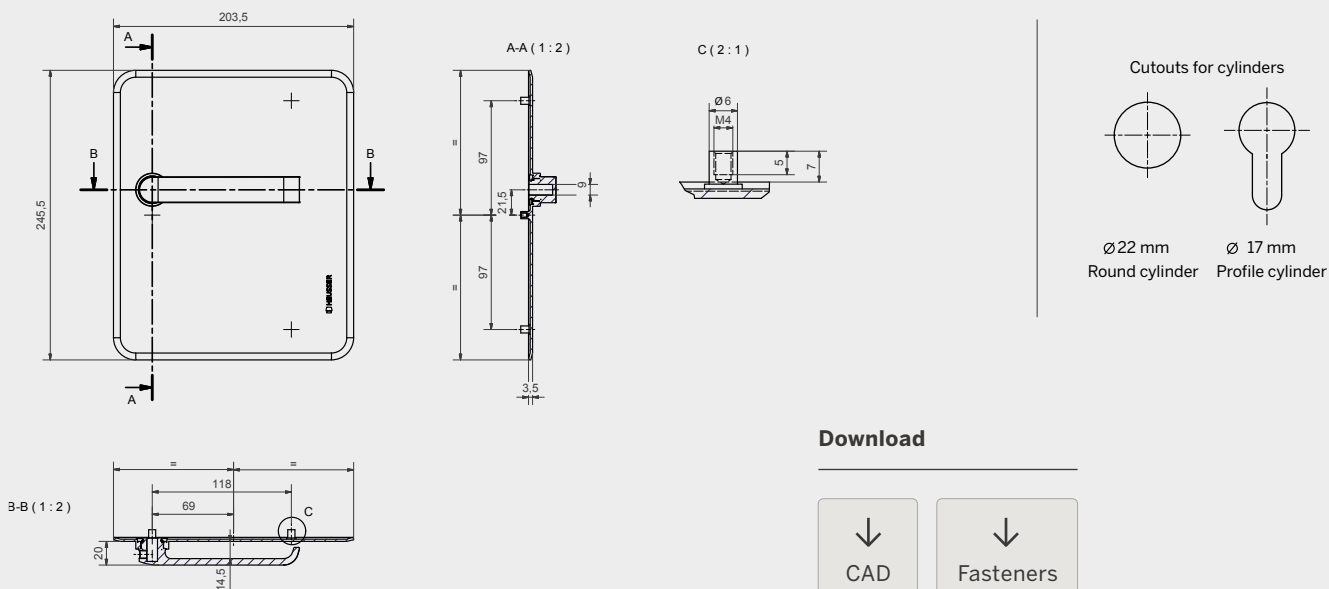
Spacing	S1.0.D1.0 blank S1.0.D1.2 RZ-74, 78, 94 mm S1.0.D1.3 PZ-72, 78, 88, 92 mm
Direction	Right/left

## Accessories

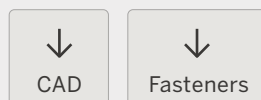
Screw set for opposite screwing.

## Custom versions

Custom finishes are available in RAL, NCS, or metallic colors, painted or powder-coated. Additional options are available upon request.



## Download



# ■ S1.0.D2 HEUSSER-Inset Lock Overlap 46 mm



S1.0.D2 Handle right side



## Purpose of use

Shield with handle for emergency exit doors according to EN 179 for invisible mutual screwing with all Heusser inset locks in pass doors and fire protection doors.

## Design

Material	Stainless steel 1.4404   AISI 316L
Surface	Polished
Socket	9 mm
Handle	With hex screw Guide 16 mm Hex key included

## Order details

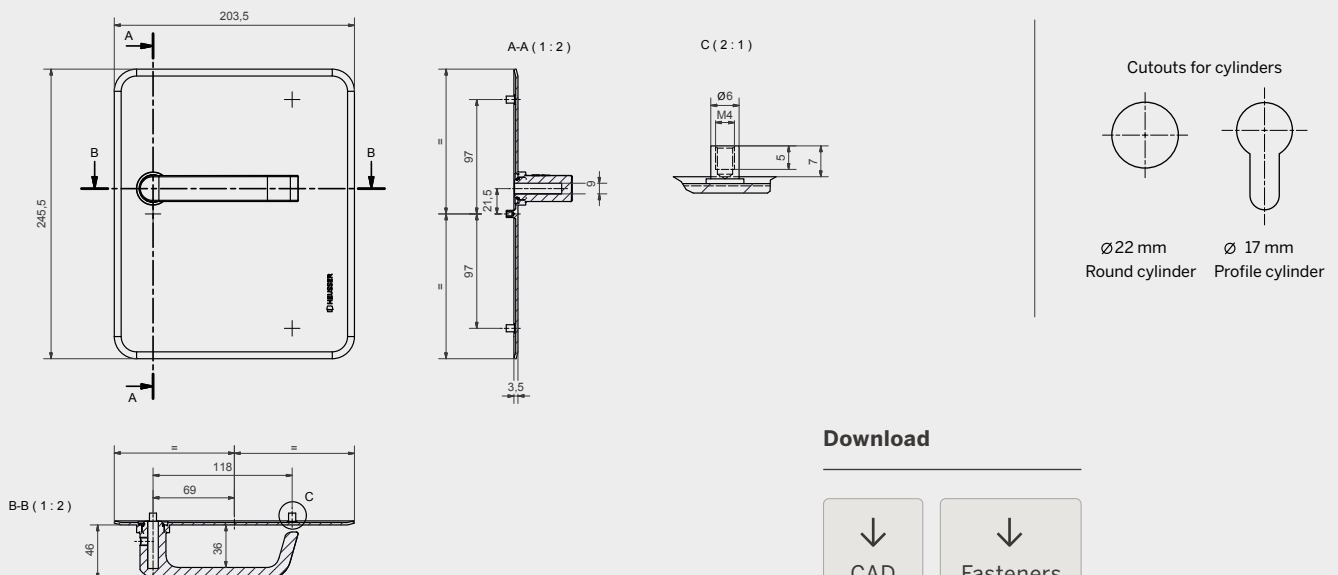
Spacing	S1.0.D2.0 blank S1.0.D2.2 RZ-74, 78, 94 mm S1.0.D2.3 PZ-72, 78, 88, 92 mm
Direction	Right/left

## Accessories

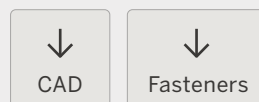
Screw set for opposite screwing.

## Custom versions

Custom finishes are available in RAL, NCS, or metallic colors, painted or powder-coated. Additional options are available upon request.



## Download



# S1.0.D3 HEUSSER-Inset Lock

## Overlap 20 mm



S1.0.D3 Handle right side



### Purpose of use

Shield with handle for emergency exit doors doors for invisible mutual screwing with all Heusser insert locks in pass doors and fire protection doors. Not suitable for emergency exits in accordance with EN 179.

### Design

Material	Stainless steel 1.4404   AISI 316L
Surface	Polished
Socket	9 mm
Handle	With hex screw Guide 16 mm Hex key included

### Order details

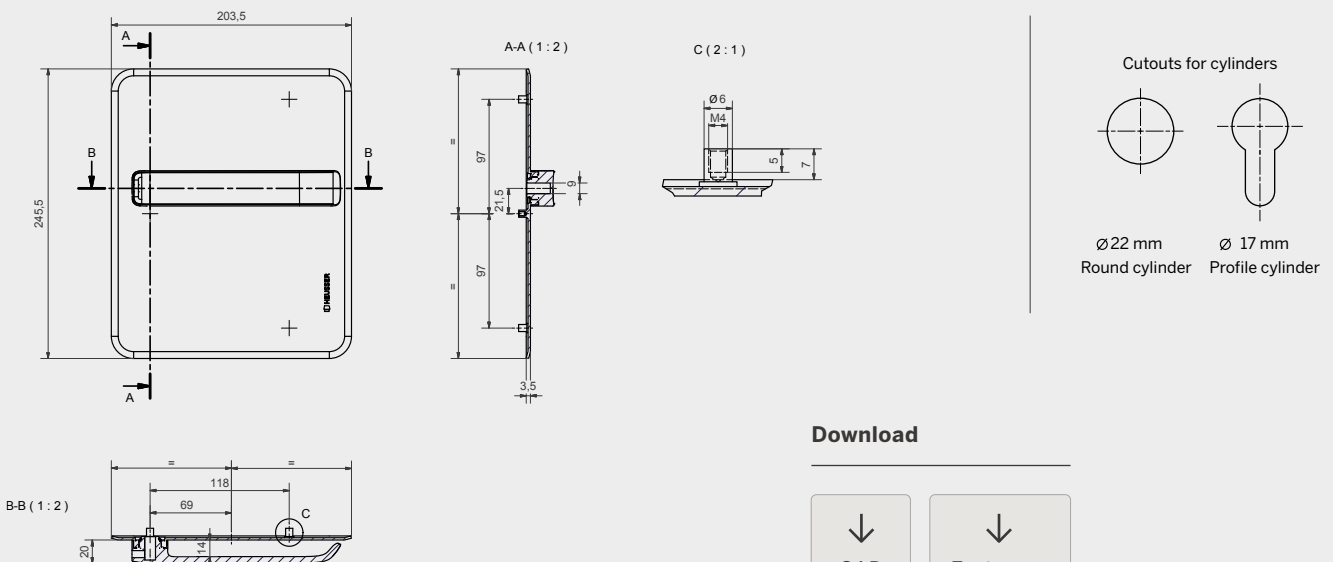
Spacing	S1.0.D3.0 blank S1.0.D3.2 RZ-74, 78, 94 mm S1.0.D3.3 PZ-72, 78, 88, 92 mm
Direction	Right/left

### Accessories

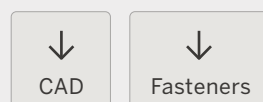
Screw set for opposite screwing.

### Custom versions

Custom finishes are available in RAL, NCS, or metallic colors, painted or powder-coated. Additional options are available upon request.



### Download



# S1.0.D4 HEUSSER-Inset Lock

## Overlap 44,5 mm



S1.0.D4 Handle right side



### Purpose of use

Shield with handle for emergency exit doors according to EN 179 for invisible mutual screwing with all Heusser inset locks in pass doors and fire protection doors.

### Design

Material	Stainless steel 1.4404   AISI 316L
Surface	Polished
Socket	9 mm
Handle	With hex screw Guide 16 mm Hex key included

### Order details

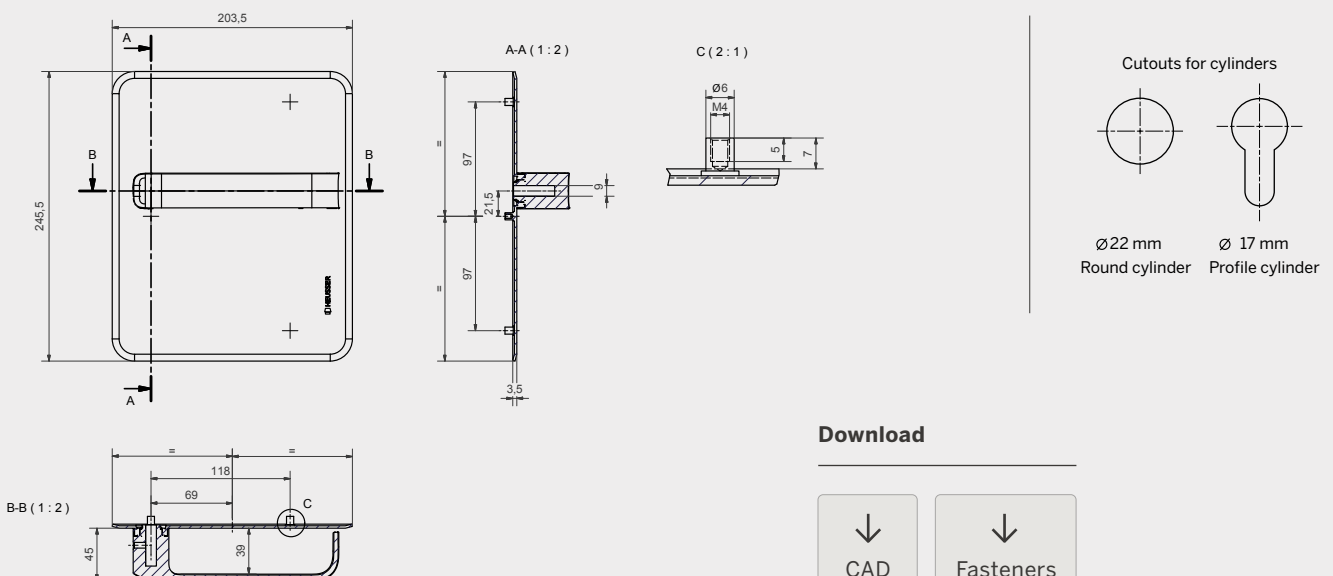
Spacing	S1.0.D4.0 blank S1.0.D4.2 RZ-74, 78, 94 mm S1.0.D4.3 PZ-72, 78, 88, 92 mm
Direction	Right/left

### Accessories

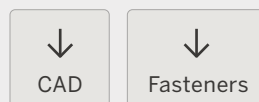
Screw set for opposite screwing.

### Custom versions

Custom finishes are available in RAL, NCS, or metallic colors, painted or powder-coated. Additional options are available upon request.



### Download



# ■ S1.0.D7 HEUSSER-Inset Lock Overlap 57 mm



S1.0.D7 Handle right side



## Purpose of use

Shield with handle for emergency exit doors according to EN 179, for concealed, mutual screw fixing with all Heusser recessed handles. Suitable, among other things, for doors in corridors, toilets, cloakrooms and utility rooms. Formally compatible with standard lever handles.

## Design

Material	Stainless steel 1.4404   AISI 316L
Surface	Polished
Socket	9 mm
Handle	With hex screw Guide 16 mm Hex key included

## Order details

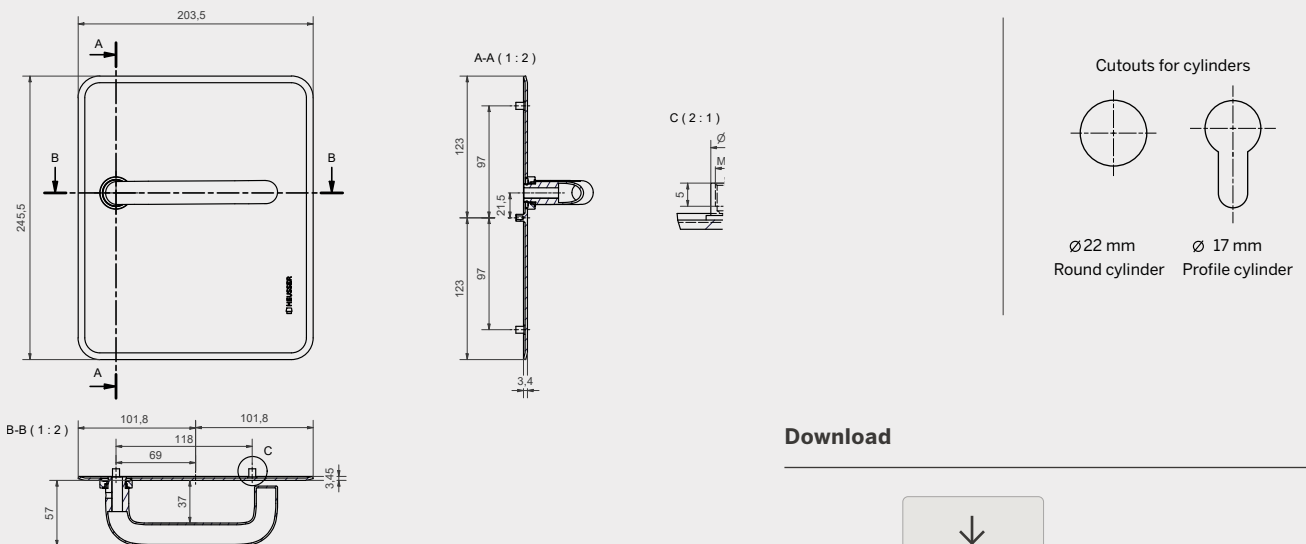
Spacing	S1.0.D7.0 blank S1.0.D7.2 RZ-74, 78, 94 mm S1.0.D7.3 PZ-72, 78, 88, 92 mm
Direction	Right/left

## Accessories

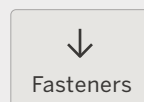
Screw set for opposite screwing.

## Custom versions

Custom finishes are available in RAL, NCS, or metallic colors, painted or powder-coated. Additional options are available upon request.



## Download



# ■ D7 Handle

## Overlap 57 mm



D7 Handle



\*in combination with Heusser-Inset Lock and Heusser shield

### Purpose of use

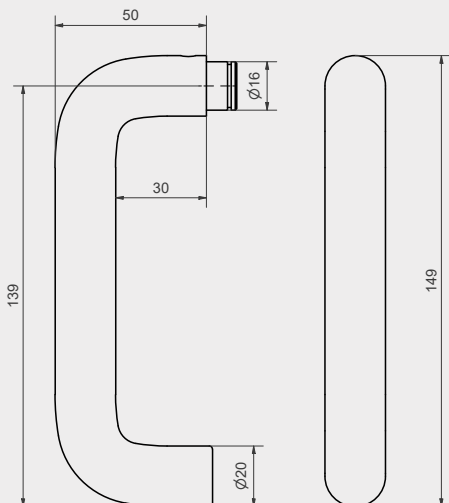
Standard handle, e.g., for hallway, bathroom, cloakroom, and utility room doors. Shape-compatible with standard commercially available lever handles. Ergonomically designed to minimize the risk of injury.

### Standard version

Material	Stainless steel 1.4404   AISI 316L
Surface	Polished
Square	9 mm
Guide	16 mm
Direction	Indication right/left

### Custom versions

Custom finishes are available in RAL, NCS, or metallic colors, painted or powder-coated. Additional options are available upon request.



# D1 Handle

## Overlap 20 mm



D1 Handle



### Purpose of use

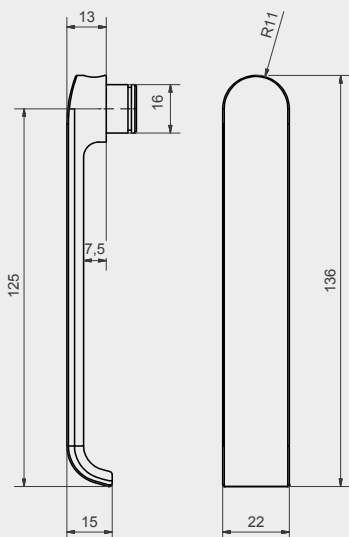
Handle with small radius for areas where the handle should not protrude too much.

### Standard version

Material	Stainless steel 1.4404   AISI 316L
Surface	Polished
Square	9 mm
Guide	16 mm
Direction	Indication right/left

### Custom versions

Custom finishes are available in RAL, NCS, or metallic colors, painted or powder-coated. Additional options are available upon request.



# D2 Handle

## Overlap 46 mm



### Purpose of use

Handle for doors in passageways and fire compartment doors.

### Standard version

Material	Stainless steel 1.4404   AISI 316L
Surface	Polished
Square	9 mm
Guide	16 mm
Direction	Indication right/left

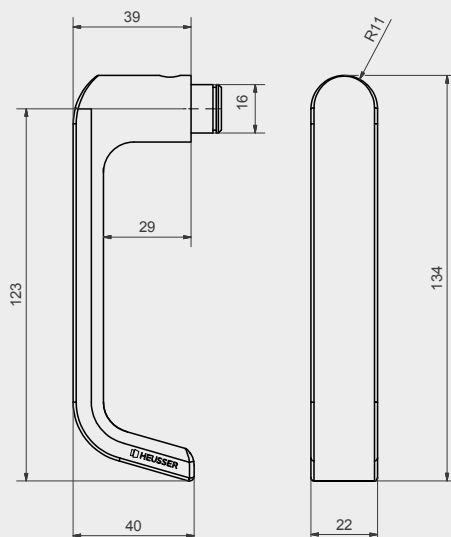
### Custom versions

Custom finishes are available in RAL, NCS, or metallic colors, painted or powder-coated. Additional options are available upon request.

D2 Handle



\*in combination with Heusser-Inset Lock and Heusser shield



# ■ D3 Handle

## Overlap 20 mm



### Purpose of use

Handle with small radius for areas where the handle should not protrude too much.

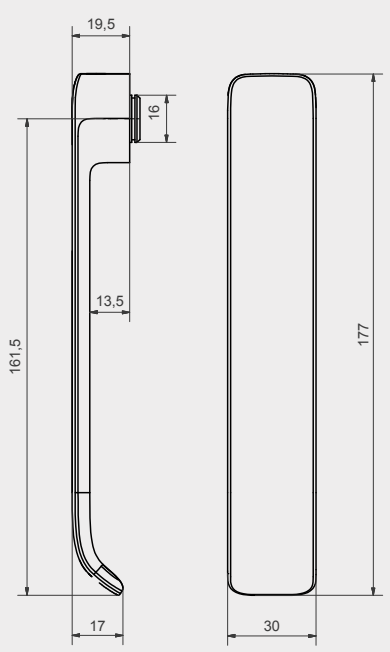
### Standard version

Material	Stainless steel 1.4404   AISI 316L
Surface	Polished
Square	9 mm
Guide	16 mm
Direction	Indication right/left

### Custom versions

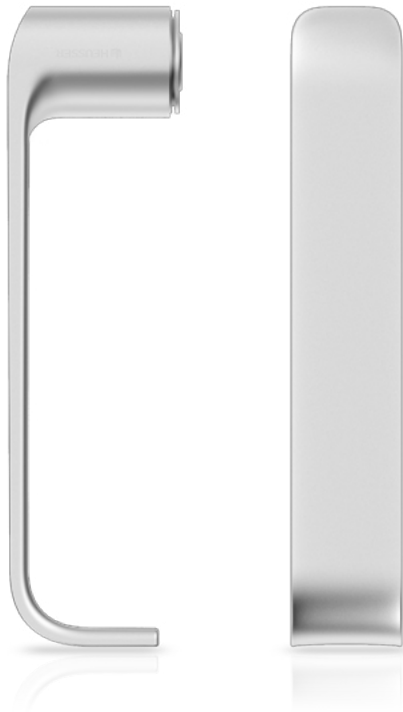
Custom finishes are available in RAL, NCS, or metallic colors, painted or powder-coated. Additional options are available upon request.

D3 Handle



# D4 Handle

## Overlap 44,5 mm



### Purpose of use

Handle for doors in passageways and fire compartment doors.

### Standard version

Material	Stainless steel 1.4404   AISI 316L
Surface	Polished
Square	9 mm
Guide	16 mm
Direction	Indication right/left

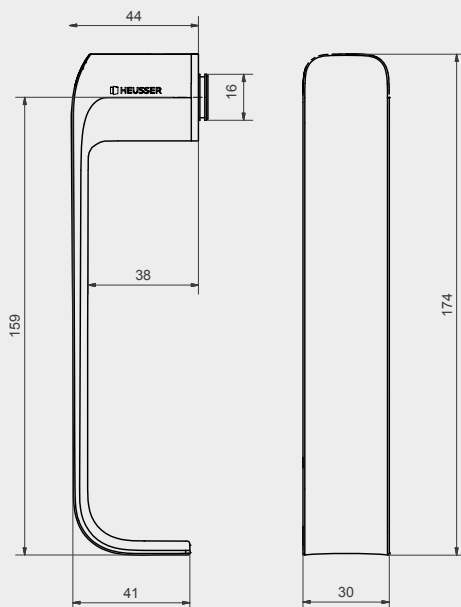
### Custom versions

Custom finishes are available in RAL, NCS, or metallic colors, painted or powder-coated. Additional options are available upon request.

D4 Handle



\*in combination with Heusser-Inset Lock and Heusser shield





## ■ HEUSSER-Inset Lock Serie 9 U-handle



**S9.42.D6**

Tray depth: 42 mm  
Handle overlap: 0 mm



**S9.20.D6**

Tray depth: 20 mm  
Handle overlap: 22 mm



**S9.13.D6**

Tray depth: 13 mm  
Handle overlap: 29 mm

## ■ HEUSSER-Inset Lock Serie 6 U-handle



**S6.42.D6**

Tray depth: 42 mm  
Handle overlap: 0 mm



**S6.20.D6**

Tray depth: 20 mm  
Handle overlap: 22 mm



**S6.13.D6**

Tray depth: 13 mm  
Handle overlap: 29 mm

## ■ HEUSSER-Inset Lock Serie 3 U-handle



**S3.20.D6**

Tray depth: 20 mm  
Handle overlap: 22 mm



**S3.13.D6**

Tray depth: 13 mm  
Handle overlap: 29 mm

## ■ HEUSSER-Inset Lock Serie 1 U-handle



**S1.0.D6**

Tray depth: 42 mm



flush-mounted handle

# S9.42.D6 HEUSSER-Inset Lock

## Tray depth 42 mm / flush-mounted handle



### Purpose of use

Flush mounted U- handle for sports halls, sliding doors, pass doors and fire safety doors. Shallow installation depth in the lock area thanks to the two-stage design.

### Design

Material	Stainless steel 1.4404   AISI 316L
Surface	Polished
U-handle	Build in

### Order details

Spacing	S9.42.D6.0 blank
	S9.42.D6.2 RZ-74, 78, 94 mm
	S9.42.D6.3 PZ-72, 78, 88, 92 mm
Direction	Right/left

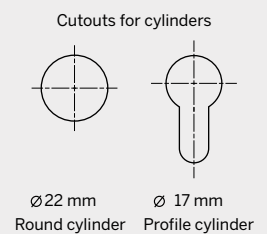
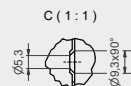
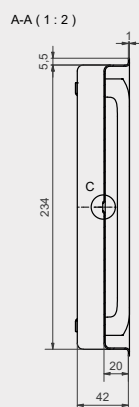
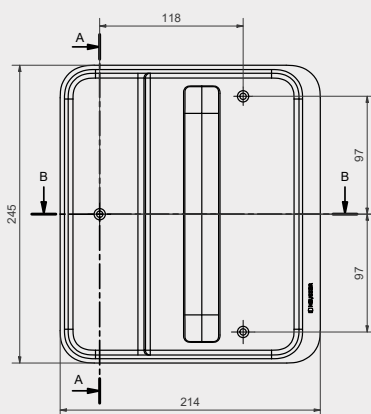
### Accessories

Screw set for opposite screwing.

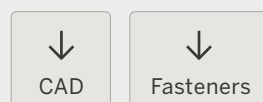
### Custom versions

Custom finishes are available in RAL, NCS, or metallic colors, painted or powder-coated. Additional options are available upon request.

S9.42.D6 U-handle right side



### Download



# S9.20.D6 HEUSSER-Inset Lock

## Tray depth 20 mm / overlap 22 mm



S9.20.D6 U-handle right side



### Purpose of use

Handle in sports halls, sliding doors, pass doors and fire safety doors

### Design

Material	Stainless steel 1.4404   AISI 316L
Surface	Polished
U-handle	Build in

### Order details

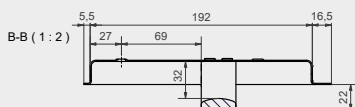
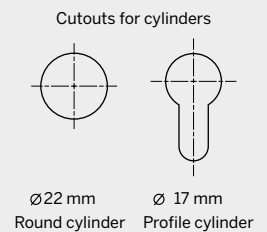
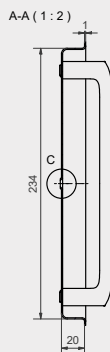
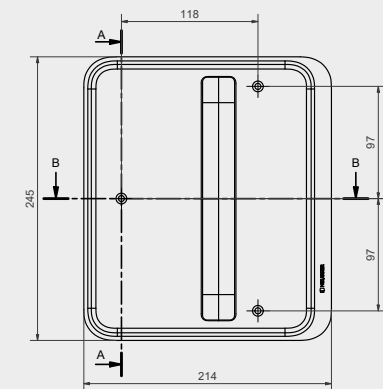
Spacing	S9.20.D6.0 blank
	S9.20.D6.2 RZ-74, 78, 94 mm
	S9.20.D6.3 PZ-72, 78, 88, 92 mm
Direction	Right/left

### Accessories

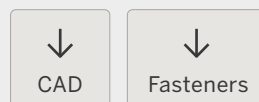
Screw set for opposite screwing.

### Custom versions

Custom finishes are available in RAL, NCS, or metallic colors, painted or powder-coated. Additional options are available upon request.



### Download



# ■ S9.13.D6 HEUSSER-Inset Lock

## Tray depth 13 mm / overlap 29 mm



**S9.13.D6** U-handle right side



### Purpose of use

Handle in sports halls, sliding doors, pass doors and fire safety doors

### Design

Material	Stainless steel 1.4404   AISI 316L
Surface	Polished
U-handle	Build in

### Order details

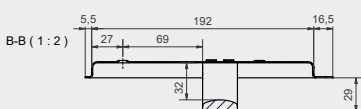
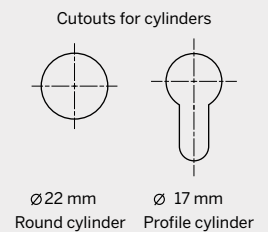
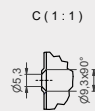
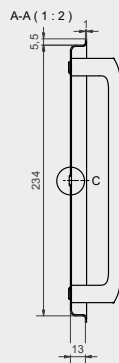
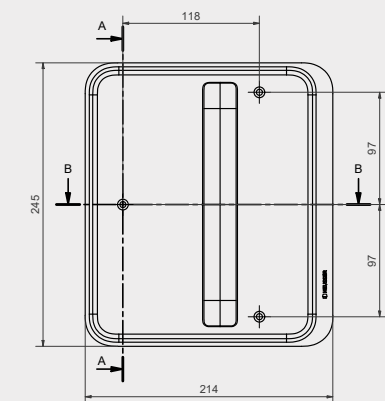
Spacing	S9.13.D6.0 blank
	S9.13.D6.2 RZ-74, 78, 94 mm
	S9.13.D6.3 PZ-72, 78, 88, 92 mm
Direction	Right/left

### Accessories

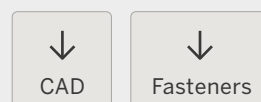
Screw set for opposite screwing.

### Custom versions

Custom finishes are available in RAL, NCS, or metallic colors, painted or powder-coated. Additional options are available upon request.



### Download



# ■ S6.42.D6 HEUSSER-Inset Lock

## Tray depth 42 mm / flush-mounted handle



**S6.42.D6** U-handle right side



### Verwendungszweck

Flush mounted U- handle for sports halls, sliding doors, pass doors and fire safety doors.

### Design

Material	Stainless steel 1.4404   AISI 316L
Surface	Polished
U-handle	Build in

### Order details

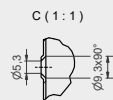
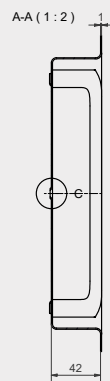
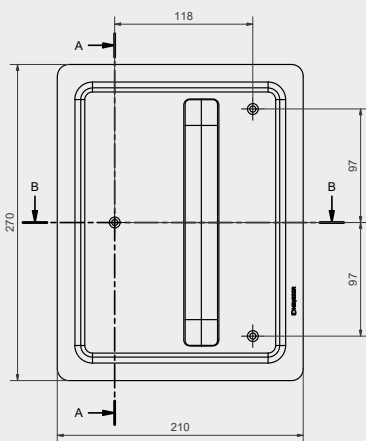
Spacing	S6.42.D6.0 blank
	S6.42.D6.2 RZ-74, 78, 94 mm
	S6.42.D6.3 PZ-72, 78, 88, 92 mm
Direction	Right/left

### Accessories

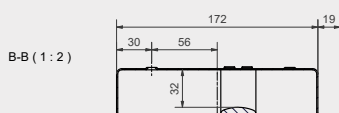
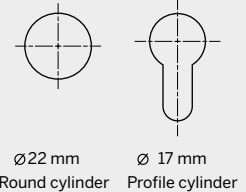
Screw set for opposite screwing.

### Custom versions

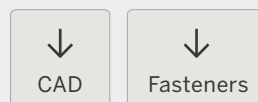
Custom finishes are available in RAL, NCS, or metallic colors, painted or powder-coated. Additional options are available upon request.



### Cutouts for cylinders



### Download



# S6.20.D6 HEUSSER -Inset Lock

Tray depth 20 mm / overlap 22 mm



S6.20.D6 U-handle right side



### Purpose of use

Handle in sports halls, sliding doors, pass doors and fire safety doors

### Design

Material	Stainless steel 1.4404   AISI 316L
Surface	Polished
U-handle	Build in

### Order details

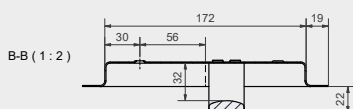
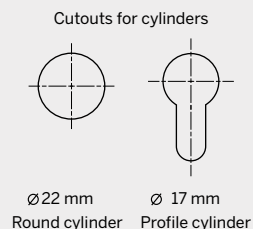
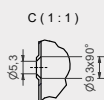
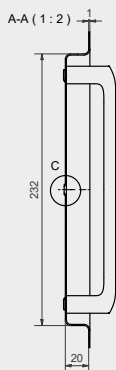
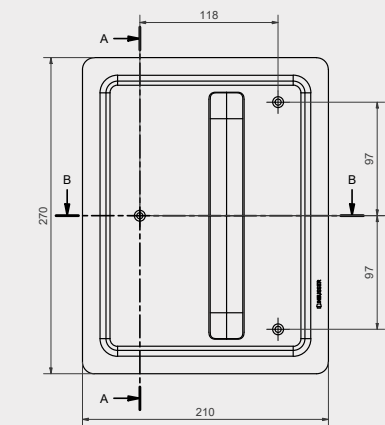
Spacing	S6.20.D6.0 blank S6.20.D6.2 RZ-74, 78, 94 mm S6.20.D6.3 PZ-72, 78, 88, 92 mm
Direction	Right/left

### Accessories

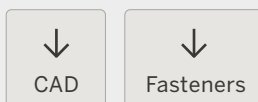
Screw set for opposite screwing.

### Custom versions

Custom finishes are available in RAL, NCS, or metallic colors, painted or powder-coated. Additional options are available upon request.



### Download



# ■ S6.13.D6 HEUSSER-Inset Lock

## Tray depth 13 mm / overlap 29 mm



**S6.13.D6** U-handle right side



### Purpose of use

Handle in sports halls, sliding doors, pass doors and fire safety doors

### Design

Material	Stainless steel 1.4404   AISI 316L
Surface	Polished
U-handle	Build in

### Order details

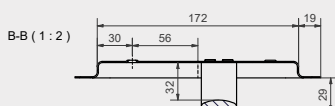
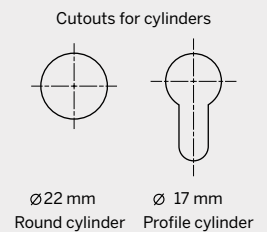
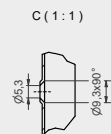
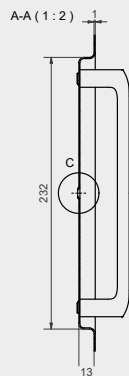
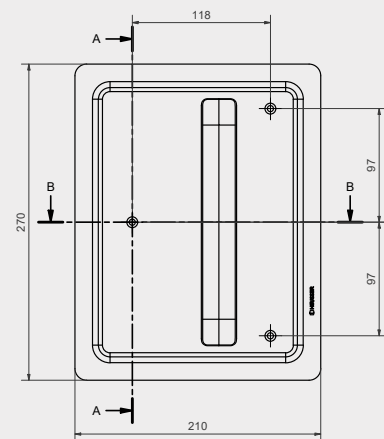
Spacing	S6.13.D6.0 blank
	S6.13.D6.2 RZ-74, 78, 94 mm
	S6.13.D6.3 PZ-72, 78, 88, 92 mm
Direction	Right/left

### Accessories

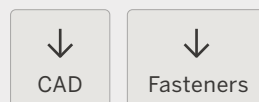
Screw set for opposite screwing.

### Custom versions

Custom finishes are available in RAL, NCS, or metallic colors, painted or powder-coated. Additional options are available upon request.



### Download



# S3.20.D6 HEUSSER-Inset Lock

## Tray depth 20 mm / overlap 22 mm



S3.20.D6 U-handle right side



### Purpose of use

Handle in sports halls, sliding doors, pass doors and fire safety doors

### Design

Material	Stainless steel 1.4404   AISI 316L
Surface	Polished
U-handle	Build in

### Order details

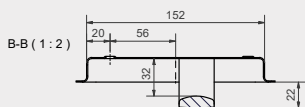
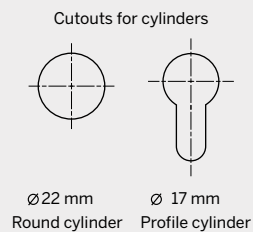
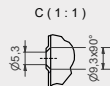
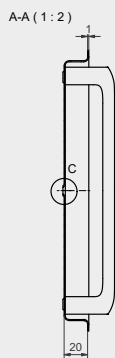
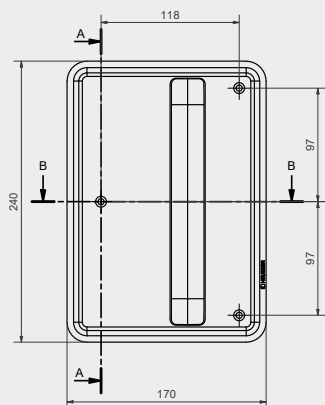
Spacing	S3.20.D6.0 blank
	S3.20.D6.2 RZ-74, 78, 94 mm
	S3.20.D6.3 PZ-72, 78, 88, 92 mm
Direction	Right/left

### Accessories

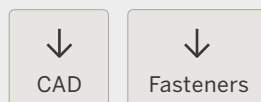
Screw set for opposite screwing.

### Custom versions

Custom finishes are available in RAL, NCS, or metallic colors, painted or powder-coated. Additional options are available upon request.



### Download



# S3.13.D6 HEUSSER-Inset Lock

## Tray depth 13 mm / overlap 29 mm



S3.13.D6 U-handle right side



### Purpose of use

Handle in sports halls, sliding doors, pass doors and fire safety doors

### Design

Material	Stainless steel 1.4404   AISI 316L
Surface	Polished
U-handle	Build in

### Order details

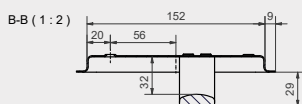
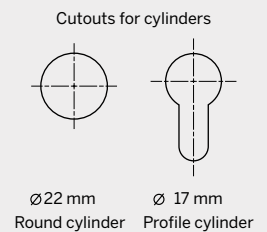
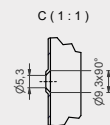
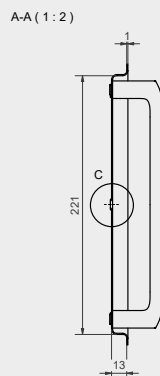
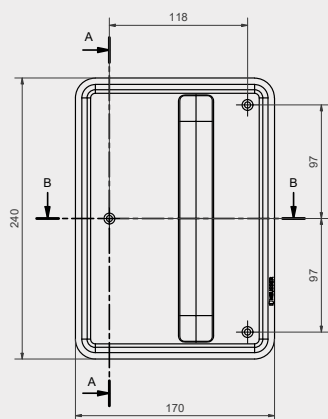
Spacing	S3.13.D6.0 blank
	S3.13.D6.2 RZ-74, 78, 94 mm
	S3.13.D6.3 PZ-72, 78, 88, 92 mm
Direction	Right/left

### Accessories

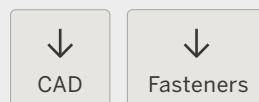
Screw set for opposite screwing.

### Custom versions

Custom finishes are available in RAL, NCS, or metallic colors, painted or powder-coated. Additional options are available upon request.



### Download



# S1.0.D6 HEUSSER-Inset Lock

## Overlap 42 mm



S1.0.D6 U-handle right side



### Purpose of use

Shield with handle for emergency exit doors for invisible mutual screwing with all Heusser insert locks in pass doors and fire protection doors.

### Design

Material	Stainless steel 1.4404   AISI 316L
Surface	Polished
U-handle	Build in

### Order details

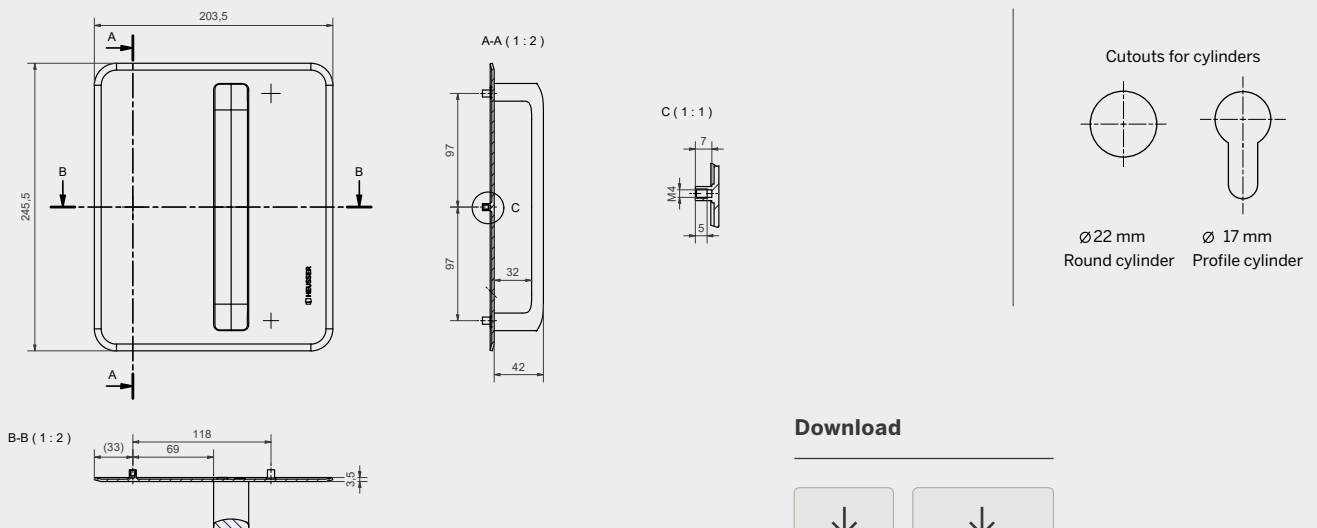
Spacing	S1.0.D6.0 blank
	S1.0.D6.2 RZ-74, 78, 94 mm
	S1.0.D6.3 PZ-72, 78, 88, 92 mm
Direction	Right/left

### Accessories

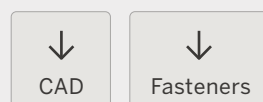
Screw set for opposite screwing.

### Custom versions

Custom finishes are available in RAL, NCS, or metallic colors, painted or powder-coated. Additional options are available upon request.

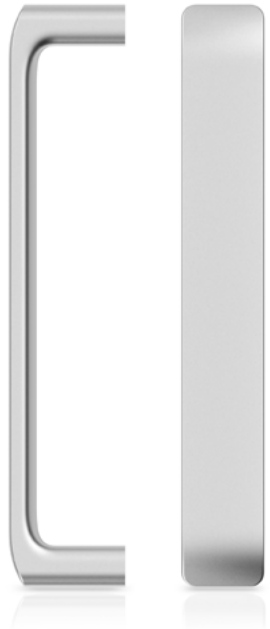


### Download



# ■ D6 U-handle

## Overlap 42 mm



### Purpose of use

U-handle sliding doors, pass doors and fire safety doors

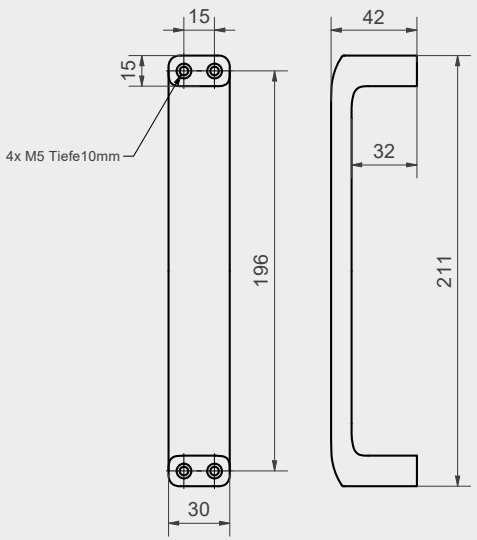
### Design

Material                    Stainless steel 1.4404 | AISI 316L  
Surface                     Polished

### Custom versions

Custom finishes are available in RAL, NCS, or metallic colors, painted or powder-coated. Additional options are available upon request.

D6 U-handle



# ■ ATS53T90 / ATS60T90 Latch



ATS53T90



ATS60T90

## ATS53T90 / ATS60T90 latch

Replacement part with adjustable latch for perfect closing of the door.  
Suitable as a replacement for electric door openers.

Suitable for use in fire safety doors.

Material      Zinc-plated steel

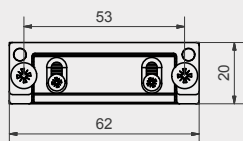
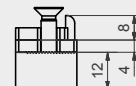
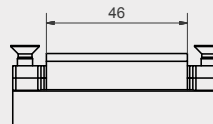
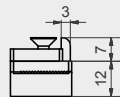
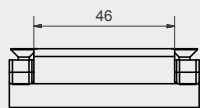


## ATS53T90 / ATS60T90 latch

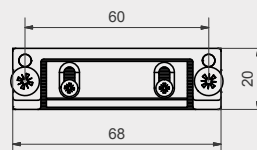
Replacement part with adjustable latch for perfect closing of the door.  
Suitable as a replacement for electric door openers.

Suitable for use in fire safety doors.

Material      Zinc-plated steel



ATS53T90



ATS60T90

# ■ B1250.653 / B1250.653SM

## Hinge safety catch



B1250.653

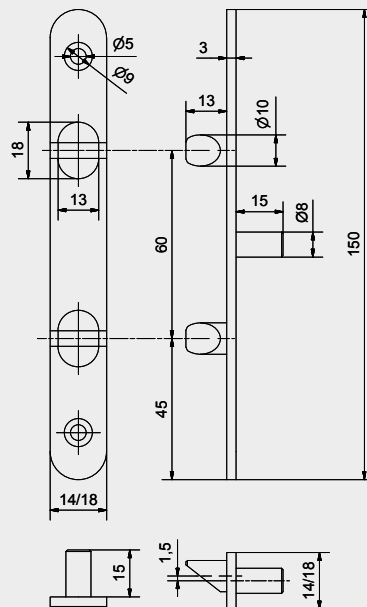
B1250.653SM

### Purpose of use

For anti-theft external doors

### Design

Material	Steel
Surface	Zinc-plated black matt powder-coated (B1250.653SM)
Set	1 x pin + 1 hole black matt finish including fixing screw
Width	14 mm or 18 mm
Assembly	Pin in door panel Pin slope towards fire



B1250.653

# ■ B1250.655 / B1250.656 / B1250.656SM

## RC3 hinge safety catch



**B1250.655**



**B1250.656**



**B1250.656SM**

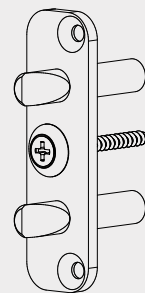
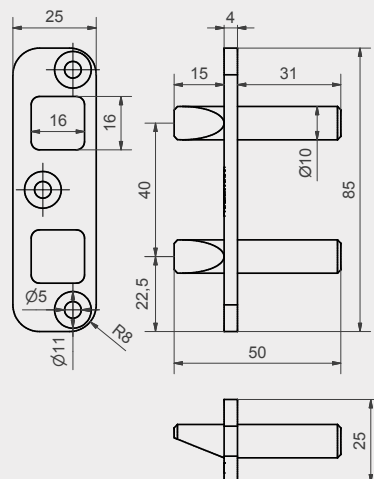
### Purpose of use

For anti-theft external doors in accordance with SN EN 1627, tested in accordance with RC3

### Design

Material	Zinc-plated steel (B1250.655) Stainless steel, matt (B1250.656) Stainless steel, black matt
Set	1 x pin + 1 hole 6 x SK securing screws 4.5 x 50 mm 2 spacers 2.8 mm / 3.3 mm
Assembly	Pin in door panel Pin slope towards fire

Tested in accordance with SN EN 1628, 1629, 1630 VSSM test report no. 9211-PB



**Verwendung Distanzhalter**

**B1250.655/656/656SM**

# 2320



2320

### Purpose of use

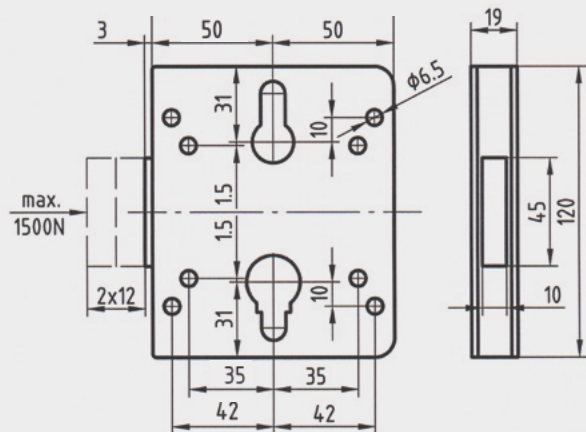
Deadlock for the chemical and food industries, electrical distribution cabinets and technical buildings

### Standard version

Material	Stainless steel V2A 1.4301 /plastic
Bolt dimensions	50 mm
Direction	Can be used without migration left or right
Hole	For round (RZ/Ø22) or profile cylinders (PZ/EURO)
Can be integrated into lock system	

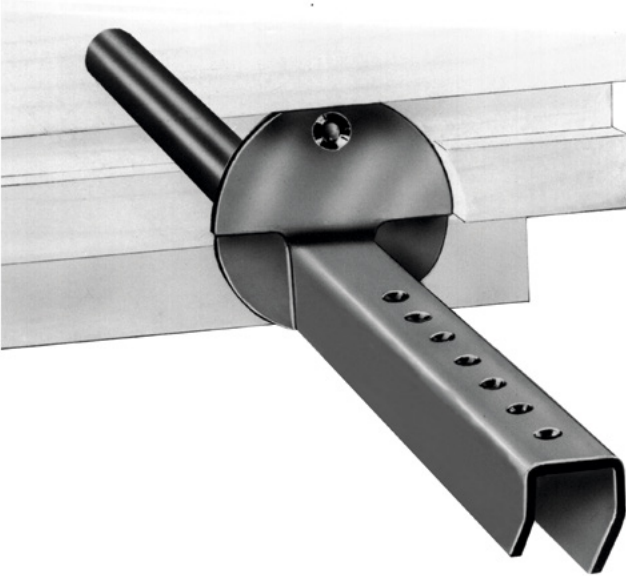
### Special versions

Material	Stainless steel V4A 1.4404 / Plastic
----------	--------------------------------------



# 8301

## ELATO-3-bracket



8301

### Purpose of use

Bracket for windowsills and shelves

### Standard version

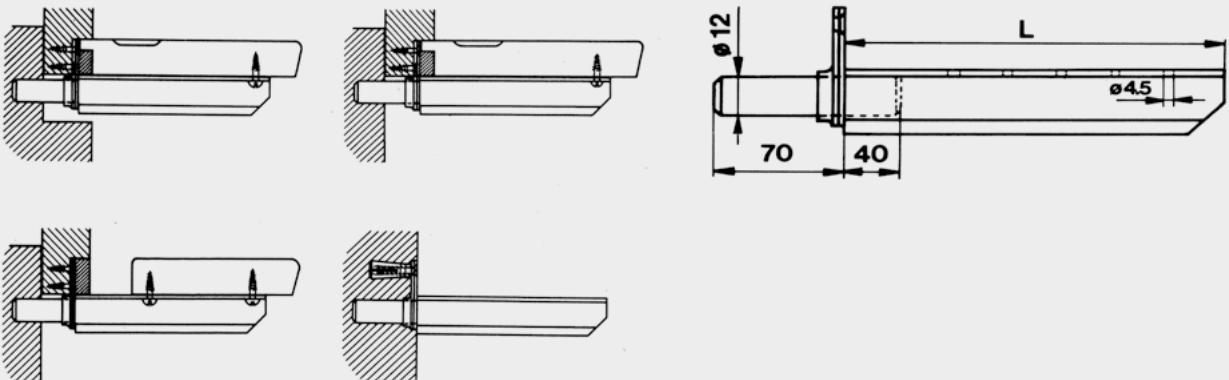
Bracket (U-shape with supporting bolts and screw plate Ø 45 mm)  
Steel, zinc-plated blue

Product no.	Length L
-------------	----------

8301-9	9 cm
8301-12	12 cm
8301-15	15 cm
8301-18	18 cm
8301-21	21 cm
8301-24	24 cm

### Special versions

Other pin lengths Ø 12 mm



Exemples de montage

# 8302

## Spacer plate



8302A



8302B

### Purpose of use

Spacer for shifting, balancing, underlaying and bridging in wooden and metal constructions.

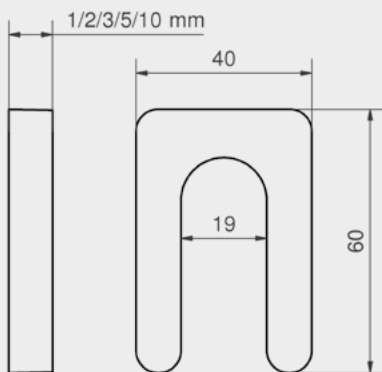
### Standard version

White polystyrene in two sizes with 5 plate thicknesses each.

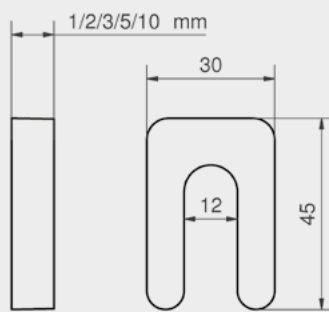
Product no.	Measure	Thickness
8302AW01	40 × 60 mm	1 mm
8302AW02	40 × 60 mm	2 mm
8302AW03	40 × 60 mm	3 mm
8302AW05	40 × 60 mm	5 mm
8302AW10	40 × 60 mm	10 mm
8302BW01	30 × 45 mm	1 mm
8302BW02	30 × 45 mm	2 mm
8302BW03	30 × 45 mm	3 mm
8302BW05	30 × 45 mm	5 mm
8302BW10	30 × 45 mm	10 mm



Example of use



8302A



8302B

# 8303 INOX

## Spacer plate



8303B

### Purpose of use

Spacer for shifting, balancing, underlaying and bridging in wooden and metal constructions in areas of high traffic and for fire safety use

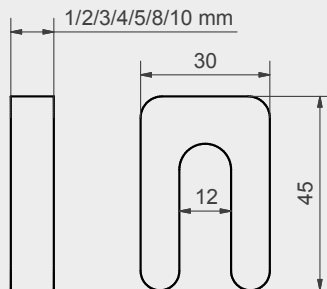
### Standard version

Stainless steel in 7 plate thicknesses.

Product no.	Measure	Thick-ness
8303B01	30 × 45 mm	1 mm
8303B02	30 × 45 mm	2 mm
8303B03	30 × 45 mm	3 mm
8303B04	30 × 45 mm	4 mm
8303B05	30 × 45 mm	5 mm
8302B08	30 × 45 mm	8 mm
8302B10	30 × 45 mm	10 mm



Example of use





## ■ Fire safety

### Door fittings, hinge safety catches, fire safety hinges

Fire-tested doors are tested in a fire laboratory as elements with suitable fittings. Our inset locks are completely made from stainless steel and pass all fire safety tests. The S6.42.D2 and S9.42.D3 models have also been tested and approved with locks from various manufacturers for emergency exits in accordance with EN 179.

Our hinge safety catches can reduce the burden on door hinges in the case of fire. Fire can exercise great pressure on one side of the door, leading to deformation of the hinges. The hinge safety catches in the door panel stabilise the doors and prevent excess deformation of the hinges. This means that fire safety doors can withstand fire for longer.

Fire safety has also become more important in furniture over the last 10 years. In large buildings, fire safety-checked riser zone covers are required across all floors to hamper the spread of fire across different floors. As well as our 3110T fire safety espagnolette lock, the VSSM worked together with Schlossfabrik Heusser AG to develop special hinges for riser zones. These are now part of the VSSM module for riser zones.





Schlossfabrik Heusser AG  
Murgstrasse 11  
CH - 4923 Wynau

[www.heusser-schloss.ch](http://www.heusser-schloss.ch)  
[info@heusser-schloss.ch](mailto:info@heusser-schloss.ch)

05.2026